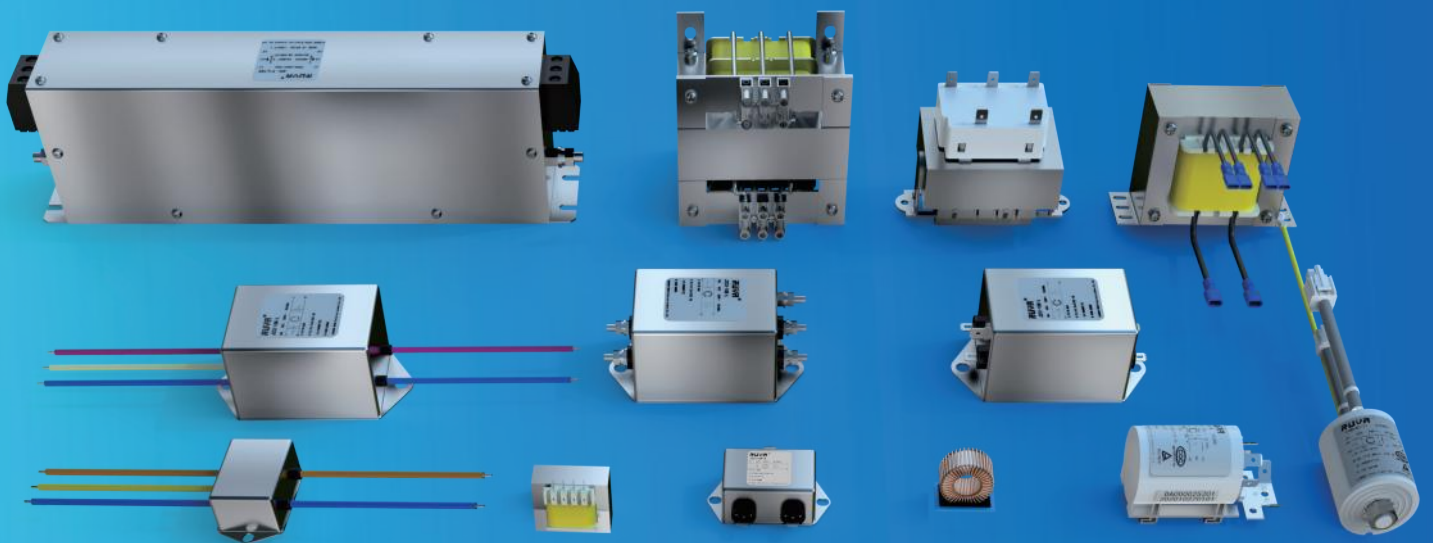


YUWA

滤波器.电抗器

EMI Filter & Reactor



创新智造

家电·工业·新能源类电源滤波器.电抗器
Household Appliance·Industry·New Energy-EMI Filter & Reactor



AEC-Q200





企业简介

About us

宁国市裕华电器有限公司是一家专注于薄膜电容器和电源滤波器产品的研发、生产、销售及服务于一体的国家级高新技术企业，拥有国内外先进水平的薄膜电容器和电源滤波器生产制造设备和高精度的试验检测设备。公司目前已荣获“安徽省名牌产品”、“安徽省著名商标”、“省认定企业技术中心”、“工信部专精特新‘小巨人’企业”、CNAS国家认证实验室等荣誉，并先后通过ISO9001管理质量体系认证、ISO14001环境管理体系认证、IATF16949质量管理体系认证、ISO/TS 22163 轨道交通质量管理体系、ISO 50001: 2018能源管理体系认证，主导产品薄膜系列电容器和电源滤波器先后取得CQC、VDE、TUV、UL、CUL、ENEC、AEC-Q200、ISI等国际权威认证。

自1997年成立以来，公司坚持以市场需求为导向、以技术创新作为企业发展的动力源，培育了一支研发经验丰富、自主创新能力极强的专业研发队伍，拥有多个国家发明和实用新型专利。宁国市裕华电器有限公司是全国电力电子电容器标准化技术委员会委员单位、全国能源行业无功补偿和谐波治理装置标准化技术委员会委员单位，同时也是上述两项标准的主要起草单位。

公司以贴近市场的技术研发、一流的品质和服务、快速灵活的响应速度获得了众多客户的高度认可和好评，在家用电器、电源、工业控制、汽车电子、绿色能源、轨道交通及电子电力等领域取得了骄人的市场业绩，今后我们将在技术创新上进一步提升，牢牢把握产品占据市场前沿技术至高点，不断加大高端智能制造设备的投入，以期在未来的薄膜电容器和电源滤波器领域处于行业领先地位。

“科学管理、追求卓越、竭诚服务、遵信守约”是企业的经营宗旨，争创一流的产品和服务，是公司努力追求的目标；致力于家用电器、工业控制、汽车电子、绿色能源等领域是公司未来发展的方向，前进中的裕华电器愿与各界朋友携手共进，共创美好明天。



Ningguo Yuhua Electrical Products Co.,Ltd. is a state-level high-tech enterprise specializing in the research and development, production, sale and service of thin film capacitors and EMI filters . Yuhua has advanced film capacitor and EMI filter production equipment at home abroad. The company has won the honor of "Anhui famous brand products "," Anhui famous trademark "," provincial recognized enterprise technology center ", "National 'Little Giant' Enterprise",CNAS National Certified Laboratory and has passed the ISO9001 management quality system certification, ISO14001 environmental management system certification, IATF16949 quality management system certification, ISO/TS 22163 IRIS certificate, ISO 50001 energy management system. Our leading products film capacitor and EMI filter have successively obtained CQC, VDE, TUV, UL, CUL, ENEC, AEC-Q200, ISI and other international authority certification.

Since its establishment in 1997, the company has adhered to market demand-oriented, technological innovation as the driving force for the development of enterprises, and has cultivated a professional R & D team with rich R & D experience and strong independent innovation ability, with many national invention and utility model patents. Yuhua is a member unit of the National Technical Committee for Standardization of Electric Power Electronic Capacitors, a member unit of the National Technical Committee for Standardization of reactive Power Compensation and Wave Control Devices in the Energy Industry, and is also the main drafting unit of the above two standards.

The company has been highly recognized and praised by lots of customers with advantages of the technology research and development closed to the market, first-class quality and service and fast and flexible response, which also has made the remarkable market performance in the fields of home appliances, power, industrial control, automotive electronics, green energy, rail transit, electric power and others, which will further enhance technological innovation, firmly grasp the most advanced technology in the market, constantly increased the investment of high-end intelligent manufacturing equipment, which will expect to be in the industry-leading position in the field of film capacitors and power filters in the future.

目录

Contents



企业概况 Enterprise Profile

01

-
- 发展历程 Development 01
 - 应用领域 Application 02
 - 企业优势 Advantage 03
 - 生产线 Production Line 05
 - 认证证书 Certificate 06
 - 企业客户 Customer 07
 - 企业文化 Corporate Culture 45
 - 服务中心 Service Centre 46



● 白色家电通用型电源滤波器 YHDQ-GT-XX Universal EMI Filter in White Goods	11
● 单相单极通用型滤波器 Universal Single-phase Single-pole Filter	
J211/J212系列	13
J221/J222系列	15
J231/J232系列	17
● 单相多极通用型滤波器 Universal Single-phase Multi-pole Filter	
J241/J242系列	19
J251/J252系列	21
J261/J262系列	23
J271/J272系列	25
J281/J282系列	27
● 单相谐波滤波器 J291/J292系列 Single-phase Harmonic Filter	29
● 三相三线电梯/扶梯滤波器 YHDQ-J354-XX Three-phase Three-wire Elevator / Escalator Filter	31
● 三相四线电梯/扶梯滤波器 YHDQ-J454-XX Three-phase Four-wire Elevator / Escalator Filter	33
● 单相电抗器系列 5.F.DK.XXXX Single-phase Reactor Series	35
● 家电板载电抗器 On-board Reactors for Home-appliances	37
● 冰箱电抗器 Reactor for Refrigerator	39
● 变频空调电抗器 Reactor for Inverter Air-conditioner	41
● 线圈系列 5.F.XQ.XXXX Coil Series	43

发展历程

Development

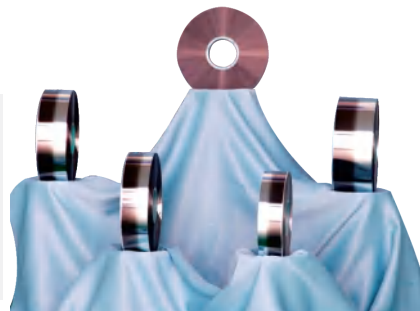
镀膜事业部

Capacitor Coating Division

拥有德国布勒莱宝光学高真空镀膜机，主要生产不同品种及规格的金属化电容膜。

We have a German Brehrenburg optical high vacuum coating machine, mainly producing metallized capacitor films of different varieties and specifications.

2022年



2019年

滤波器事业部

EMI Filter Division

事业部下辖滤波器、电抗器/变压器车间，拥有国内先进的EMC实验室，可免费为客户提供整机传导发射和抗扰度整改测试及服务。

Under the jurisdiction of the business unit, there are workshops for filters, reactors/transformers, and advanced EMC laboratories in China. We can provide customers with free testing and services for conducting emissions and improving immunity of the entire machine.



2019年

小型薄膜电容事业部

Small Film Capacitor Division

专业生产直流滤波器电容器，交流滤波器电容器，缓冲吸收电容器等其他板载式电容器。

We mainly produce DC filter capacitors, AC filter capacitors, buffer absorption capacitors, and other onboard capacitors.



2011年

电力电子事业部

Power Electronics Division

GB/T 17702-2021第2起草单位。事业部下辖：直流、交流滤波电容，新能源汽车电容，轨道交通、柔直输电、脉冲电容四大生产车间。

The second drafting unit of GB/T 17702-2021. Under the jurisdiction of the business unit, there are four major production workshops: DC and AC filter capacitors, new energy vehicle capacitors, rail transit, flexible direct transmission, and pulse capacitors.



1997年

家电事业部

Home Appliances Division

公司最早的产品事业部，冰箱电容市场占有率国内第一。现已成为美的、海尔、海信、格力、东芝、尼得科、Arcelik等国内外知名企业合格供应商。

The earliest product division of the company, with the largest market share of refrigerator capacitors in China. Now, it has become a qualified supplier of domestic and foreign well-known enterprises, such as Midea, Haier, Hisense, Gree, Toshiba, Nidec, Arcelik, etc.



D E V E L O P M E N T

应用领域 Application

轨道交通 Rail Transit

轨道交通、柔直输电系列产品可非标定制。
目前已与中车永济电机、许继有合作。

Rail transit and flexible direct transmission series products can be customized non-standard.
Currently, we have cooperated with CRRC Yongji Electric and Xu Jiyou.



工业控制 Industrial control

滤波器/电抗器系列产品广泛应用于家用电器、机器人、电梯、健身器材、工业及其他变频领域。
产品种类齐全，在市场有很好的口碑和品牌效应。

The filter/reactor series products are widely used in household appliances, robots, elevators, fitness equipment, industry, and other frequency conversion fields.
The product range is complete and has a good reputation and brand effect in the market.



绿色能源 Green energy

板载式薄膜电容器系列产品广泛应用于组串式光伏逆变器、组串式储能变流器、汽车电子、变频空调及工业电源中。
产品性能优于同行，品质稳定，工艺先进。

On board film capacitor series products are widely used in series Solar inverter, series energy storage converter, automotive electronics, variable frequency air conditioning and industrial power supply.
The product performance is superior to that of its peers, with stable quality and advanced technology.



新能源汽车 New energy vehicles

直流滤波、交流滤波系列产品主要应用于风光储、SVG、新能源汽车、轨道交通、柔直输电、脉冲发生器等领域。
产品研发能力强，装备先进。

The DC filter and AC filter series products of new energy vehicles are mainly used in fields such as wind and solar storage, SVG, new energy vehicles, rail transit, flexible direct transmission, pulse generators, etc.
Strong product development capabilities and advanced equipment.



家用电器 Household appliances

交流电动机产品主要应用于冰箱、空调、洗衣机等家电领域。
冰箱电容市场国内占有率第一。

AC motor products are mainly used in household appliances such as refrigerators, air conditioners, and washing machines.
The market share of refrigerator capacitors ranks first in China.



企业优势 Advantage

CNAS国家认证实验室
CNAS National Certified Laboratory



2023年5月裕华电器实验中心成为国家认证CNAS实验室。可满足薄膜电容的各项测试，主要包括老化实验区、环境模拟实验区、电学仪器实验区、破坏性防爆实验区、150kV高压直流实验区、EMC实验室等。实验室拥有各类专家和具备丰富经验的实验人员10余人。

In May 2023, Yuhua Electrical Appliances Experimental Center became a national certified CNAS laboratory. It can meet various tests of film capacitors, mainly including aging experimental area, environmental simulation experimental area, electrical instrument experimental area, destructive explosion-proof experimental area, 150kV high-voltage DC experimental area, EMC laboratory, etc. The laboratory has over 10 experts and experienced laboratory personnel.



生产线

Production Line

镀膜技术 Coating Technology

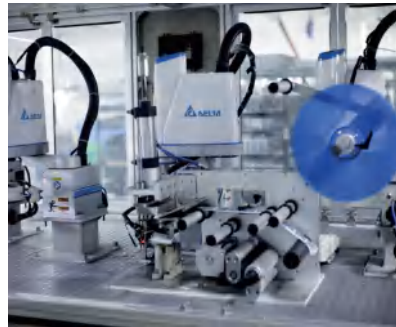


引进德国布勒莱宝光学高真空卷绕式电容用镀膜机 2 台
Germany Buhler Leybold brand of vacuum coating plant: 2 sets.



配备高精度分切机 6 台
High precision cutting machine: 6 sets

自动化生产线 Automatic production line



5G数字工厂，实现生产全流程信息化管理。
5G Digital Factory, Realize information-based management of the entire production process.

认证证书 Certificate

- ISO14001, ISO9001, GJB9001, ISO/TS 22163:2017, IATF 16949, ISO 50001: 2018



ISO9001



ISO14001



ISO/TS 22163

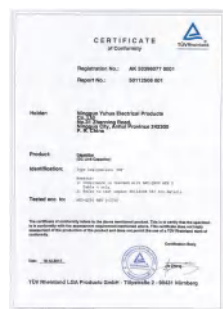
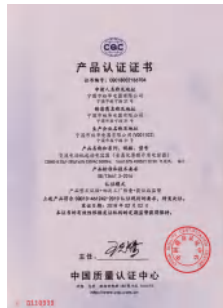
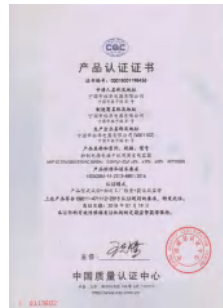
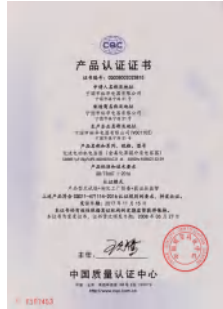
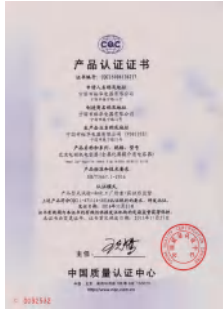


IATF16949



ISO 50001: 2018

- CQC, VDE, TUV, UL, CUL, ENEC, AEC-Q200, ISI



企业客户

Customer

家用电器客户 Customers Of Household Appliance



电力电子客户 Customers Of Power Electronics



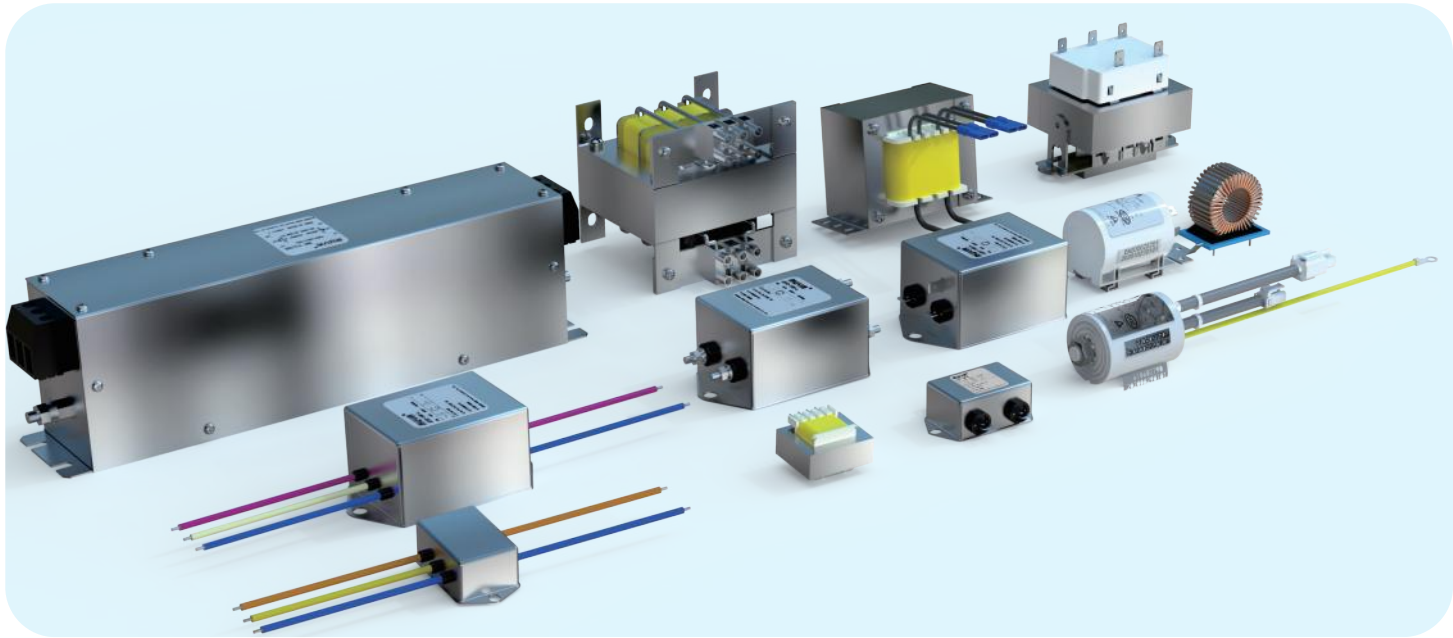
新能源汽车客户 Customers Of New Energy Vehicle





产品篇

Product Section



滤波器.电抗器 EMI Filter & Reactor

订购方式: +86 563 4183767/4186118 ✉ czy@ngyh.com 了解更多产品信息, 敬请登录: www.ngyh.com

电源滤波器的原理及其作用

The Principle and Function of Power Line Filter

电源滤波器，又名“EMI滤波器”，是一种无源双向网络（一端是电源，另一端是负载），可以对电源中特定频率的频点或该频点以外的频率进行有效滤除的电气设备。电源滤波器的原理是一种阻抗失配网络：电源滤波器输入、输出侧与电源和负载侧的阻抗失配越大，对电磁干扰的衰减就越有效。

电源滤波器的作用是使设备能够满足电磁兼容标准中对设备传导发射的要求，如：GB4343.1《家用电器、电动工具和类似器具的电磁兼容要求 第1部分：发射》、GB4824《工业科学和医疗（ISM）射频设备的骚扰特性限值和测量方法》、GB9254《信息技术设备的无线电骚扰限值和测量方法》。

电源滤波器是一种低通滤波器，它允许直流或50Hz的工作电流通过，而不允许频率较高的电磁干扰电流通过。电源滤波器是双向的，它既能防止电网上的干扰进入设备，滤除电网干扰对设备产生不良的影响，使设备满足敏感度的要求；又能防止设备自身产生的电磁干扰传到电网，满足传导发射的要求。

能够产生较强干扰的设备和对外界干扰高度敏感的设备都需要用到滤波器，比如产生强干扰的设备有：含有脉冲电路（微处理器）的设备、使用开关电源的设备、使用可控硅的设备、变频调速设备、含有马达（电机）的设备等；对外界干扰高度敏感的设备有：使用微处理器的设备、小信号模拟电路等。

Power line filter, also named EMI filter, which is a passive two-way networks (one end is the power supply and another end is load), is an electrical equipment that can effectively filter out the frequencies at specific frequency in the power supply or frequencies outside the frequency. The principle of the power line filter is an impedance mismatch network: the greater the impedance mismatch between the input and output sides of the power line filter and the power supply and load side, the more effective the attenuation of electromagnetic interference is.

The function of EMI filter is to enable the device to meet the requirements for conducted emissions from equipment in the EMC standard, such as, GB4343. 1"Electromagnetic Compatibility-Requirements for Household Appliances, Electric Tools and Similar Apparatus-Part 1: Emission", GB4824"Industrial, Scientific and Medical(ISM) Radio-frequency Equipment-Disturbance Characteristics-limits and Methods of Measurement", GB9254"Information Technology Equipment-radio Disturbance Characteristics-limits and Methods of Measurement".

EMI filter is a low pass filter, that allows DC or 50Hz operating current to pass without allowing higher frequency EMI currents to pass. The EMI filter is bidirectional. It can prevent the interference on the power grid from entering the equipment, filter out the adverse effects of the power grid interference on the equipment, and make the equipment meet the sensitivity requirements. It can also prevent the electromagnetic interference generated by the equipment itself from being transmitted to the power grid and meet the requirements of conducted emissions.

Filters can be used for devices that generate strong interference and devices that are highly sensitive to external disturbances. For example, devices that generate strong interference includes: devices with pulse circuits (microprocessors), devices that use switching power supply and the silicon controlled equipment, frequency conversion speed control equipment, equipment containing motors, etc.; equipment sensitive to external interference includes: equipment using microprocessors, small signal analog circuits, etc.

通用型滤波器型号编制原则

Universal Filter Modeling Principle

J 2 1 1 - 3 A - S - 01

区分交流或直流产品

Differentiate between AC and DC products

J:代表交流产品

J: stands for AC product

Z:代表直流产品

Z: stands for DC product

区分单相或三相产品

Differentiate between single-phase and three-phase product

2:代表单相产品

2: stands for single-phase product

3:代表三相三线产品(不带中线)

3: stands for three-phase three-wire (without neutral) product

4:代表三相四线产品(带中线)

4: stands for three-phase four-wire (with neutral) product

区分产品电路图

Differentiate circuit diagram

0~9: 分别代表不同电路图种类

0~9: stands for different kinds of circuit diagram

区分产品接线方式

Differentiate connection modes

1: 代表出线方式为6.35×0.8标准插片

1: stands for outlet mode as 6.35*0.8 terminal

2: 代表出线方式为导线

2: stands for outlet mode as wire

3: 代表出线方式为螺杆

3: stands for outlet mode as screw

4: 代表出线方式为欧式穿墙端子

4: stands for outlet mode as Euro-type through-wall terminals

5: 代表出线方式为端子台

5: stands for outlet mode as terminal block

6: 代表出线方式为铜排

6: stands for outlet mode as copper bar

7: 代表出线方式为其他

7: stands for outlet mode as others

P: 代表产品为线路板式

P: stands for circuit board type

区分客户产品

Differentiate customer's product

空格或00~99: 代表客户流水号

Space or 00~99: stands for customer's serial number

区分产品外形尺寸

Differentiate products outline size

空格或A~Z: 代表产品外形尺寸

Space or A~Z: stands for outline size

区分产品额定电感量

Differentiate rated inductance

A~Z: 代表产品额定电感量

A~Z: stands for rated inductance

区分产品额定电流

Differentiate rated current

0~数千: 代表产品

实际额定电流值

0~thousands: stands for

actual rated current value

白色家电通用型电源滤波器

Universal EMI Filter in White Goods

YHDQ-GT-XX

特点与用途

- ◆ 低泄漏电流,结构小巧紧凑,便于安装;
- ◆ 150K~30MHz卓越的EMI滤波性能;
- ◆ 广泛应用于冰箱、洗衣机、冷柜、空调、洗碗机等家电系列产品。

Features & Applications

- ◆ Low leakage current, compact instructure and easy for installing. Excellent performance of EMI filter (150K~30MHz).
- ◆ Widely applied in household appliances, such as refrigerator, washing machine, freezer, air-conditioning, dish washer, etc.



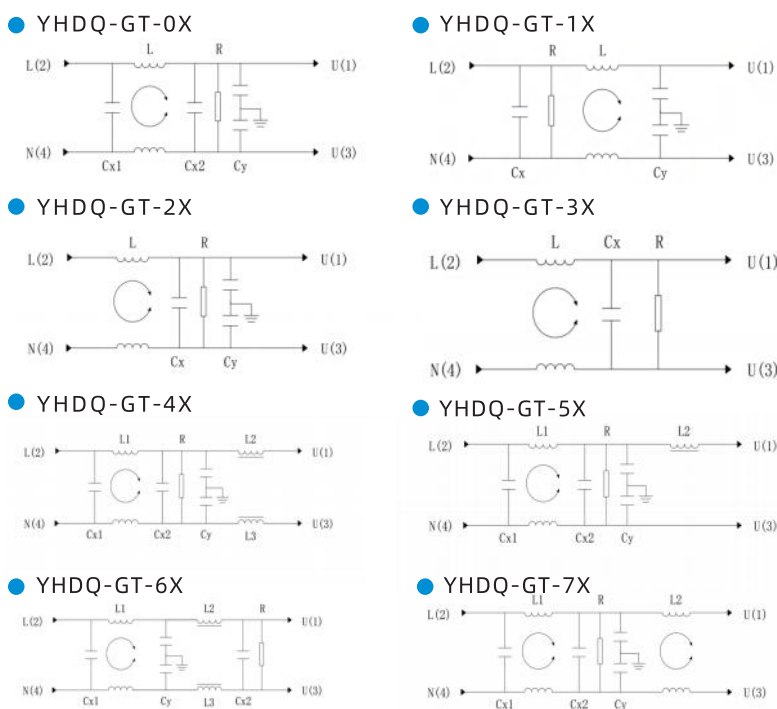
认证 Certification

	中国 China	CQC 19001221487		欧盟 European Union	R50437711
--	-------------	-----------------	--	----------------------	-----------

技术参数 Technical Parameter

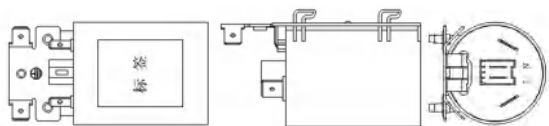
额定电流 Rated current	1A~16A@40°C	绝缘电阻 Insulation resistance	线-地(L-G) 500VDC≥100MΩ
额定电压 Rated voltage	0~250Vac	高压测试 High-voltage test	线-线(L-L) 1075 VDC 1min 线-地(L-G) 2000 VAC 1min
泄漏电流 Leakage current	120VAC 50Hz:0.75mA Max 250VAC 50Hz:1.50mA Max	工作频率 Operating frequency	50/60Hz

电路原理图 Circuit Schematic

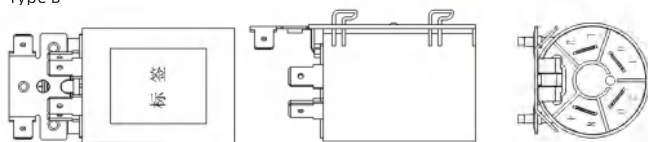


外形图 Outline Drawing

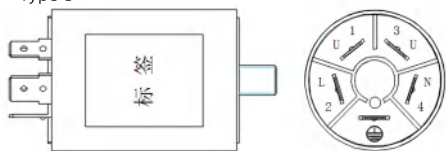
● 类型 A
Type A



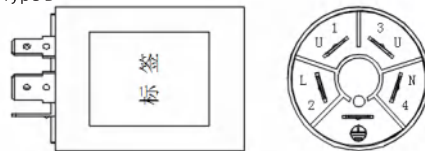
● 类型 B
Type B



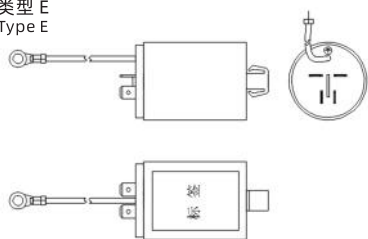
● 类型 C
Type C



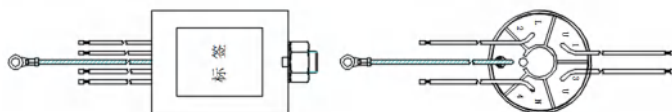
● 类型 D
Type D



● 类型 E
Type E



● 类型 F
Type F



常用规格 Specification

常用型号 Common Type	L1 mH	Cx1 μF	Cx2 μF	CY μF	R k Ω	适用外形 Suitable Shape	额定电流 (A) Rated Current
YHDQ-GT-0X	0.5~10mH	0.1~1 μF	0.1~1 μF	0~27nF	0~2200k Ω	A,B,C,D,E,F	1, 3, 6, 8 10,12,16
YHDQ-GT-1X	0.5~10mH	0.1~1 μF	/	0~27nF	0~2200k Ω	A,B,C,D,E,F	1, 3, 6, 8 10,12,16
YHDQ-GT-2X	0.5~10mH	/	0.1~1 μF	0~27nF	0~2200k Ω	A,B,C,D,E,F	1, 3, 6, 8 10,12,16
YHDQ-GT-3X	0.5~10mH	/	0.1~1 μF	/	0~2200k Ω	A,B,C,D,E,F	1, 3, 6, 8 10,12,16
YHDQ-GT-4X	0.5~10mH	0.1~1 μF	0.1~1 μF	0~27nF	0~2200k Ω	F	1,3,6,8,10
YHDQ-GT-5X	0.5~10mH	0.1~1 μF	0.1~1 μF	0~27nF	0~2200k Ω	E,F	1,3,6,8,10

备注:

- 1、表中所列尺寸为公司常用规格尺寸，其他规格尺寸均可按照客户要求生产；
- 2、表中数据若有更改恕不另行通知；
- 3、可提供整机EMC整改测试方案和技术支持。

REMARKS:

- 1.The dimension on the above chart is our common specifications, we can produce as customer's requests.
- 2.The datas are subject to change without notice.
- 3.We can recommend the selection and provide the EMC rectification test solutions and technical supports.

单相单极通用型滤波器

Universal Single-phase Single-pole Filter

J211/J212系列

特点与用途

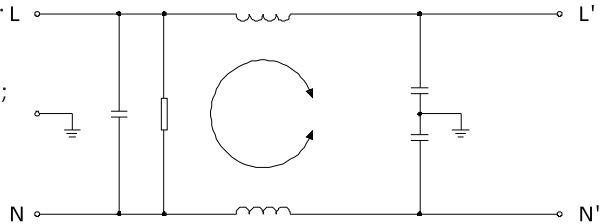
- ◆ 单相单极通用型交流滤波器;
- ◆ 结构简单、体积小、安装方便;
- ◆ J211为标准插片引出方式, J212为导线引出方式;
- ◆ 该系列滤波器可广泛应用于开关电源、小型工业自动化控制设备、办公设备以及数据通信设备等; 超低泄露电流产品还可以满足医疗器械设备要求。

Features & Applications

- ◆ Single-phase Single-pole Universal AC-filter.
- ◆ Simple structure, small size, easy for installing.
- ◆ J211 is the terminal outlet type, J212 is the wire outlet type.
- ◆ This series of filters can be widely used in switching mode power supply, small industrial automation control equipments, office equipments and datacom equipments; ultra-low leakage current products can also meet requirements of medical equipments.



电路原理图
Circuit Schematic



认证 Certification

 US	美国/加拿大 USA/Canada	E515376	 1E	欧洲 Europe	ENEC-03607
--	----------------------	---------	--	--------------	------------

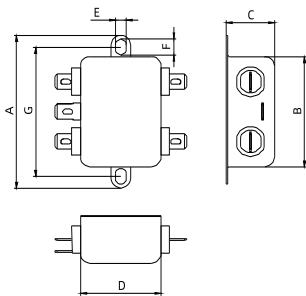
技术参数 Technical Parameter

额定电流 Rated current	3 ~ 20A@40°C
额定电压 Rated voltage	0 ~ 250VAC
气候类别 Climatic category	25/100/21

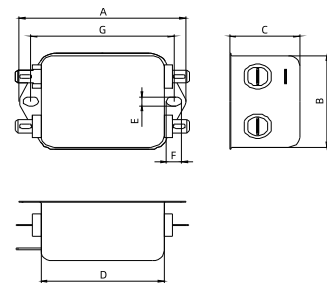
泄漏电流 Leakage current	标准泄露电流 Standard leakage current < 2.5mA@250VAC 低泄露电流 Low leakage current < 0.5mA@250VAC
高压测试 High-voltage test	线-线(L-L) 1450 VDC 1min 线-地(L-G) 2000 VAC 1min
工作频率 Operating frequency	50/60 Hz

外形图 Outline Drawing

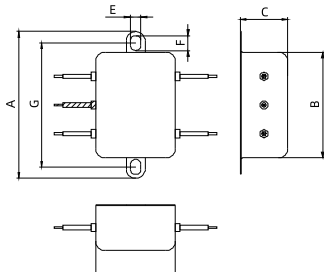
● 类型 A Type A



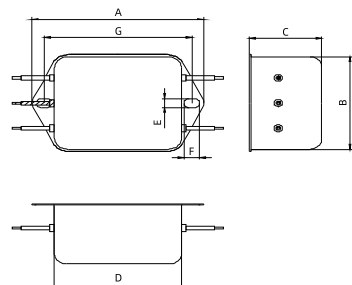
● 类型 B Type B



● 类型 C Type C



● 类型 D Type D



常用规格
Specification

常用型号 Common Type	额定电流 Rated Current	A (mm)	B (mm)	C (mm)	D (mm)	E (mm)	F (mm)	G (mm)	适用外形 Suitable Shape
J211-3X-S-XX	3A	62	46	22	32	5.3	6.3	54	A
J211-6X-S-XX	6A	62	46	22	32	5.3	6.3	54	A
J211-3X-M-XX	3A	85	52	38	63	5.3	6.3	75	B
J211-6X-M-XX	6A	85	52	38	63	5.3	6.3	75	B
J211-10X-M-XX	10A	85	52	38	63	5.3	6.3	75	B
J211-16X-M-XX	16A	85	52	38	63	5.3	6.3	75	B
J211-20X-M-XX	20A	85	52	38	63	5.3	6.3	75	B
J211-3X-L-XX	3A	96	55	45	75	5.3	6.3	87	B
J211-6X-L-XX	6A	96	55	45	75	5.3	6.3	87	B
J211-10X-L-XX	10A	96	55	45	75	5.3	6.3	87	B
J211-16X-L-XX	16A	96	55	45	75	5.3	6.3	87	B
J211-20X-L-XX	20A	96	55	45	75	5.3	6.3	87	B
J212-3X-S-XX	3A	62	46	22	32	5.3	6.3	54	C
J212-6X-S-XX	6A	62	46	22	32	5.3	6.3	54	C
J212-3X-M-XX	3A	85	52	38	63	5.3	6.3	75	D
J212-6X-M-XX	6A	85	52	38	63	5.3	6.3	75	D
J212-10X-M-XX	10A	85	52	38	63	5.3	6.3	75	D
J212-16X-M-XX	16A	85	52	38	63	5.3	6.3	75	D
J212-20X-M-XX	20A	85	52	38	63	5.3	6.3	75	D
J212-3X-L-XX	3A	96	55	45	75	5.3	6.3	87	D
J212-6X-L-XX	6A	96	55	45	75	5.3	6.3	87	D
J212-10X-L-XX	10A	96	55	45	75	5.3	6.3	87	D
J212-16X-L-XX	16A	96	55	45	75	5.3	6.3	87	D
J212-20X-L-XX	20A	96	55	45	75	5.3	6.3	87	D

备注:

1. “X” 代表实际滤波电感，可用字母A~Z表示；
2. “XX” 代表客户流水号，可用空格或数字00~99代替；
- 3.表中所列尺寸为公司常用规格尺寸，其他规格尺寸均可按照客户要求生产；

REMARKS:

1. “X” stands for the actual filter inductance, which can be represented by the letters A~Z.
2. “XX” stands for the customer’s serial number, which can be replaced by space or number 00~99.
- 3.The size listed on the table are our common size, other size can be produced according to customer’s requirements.

单相单极通用型滤波器

Universal Single-phase Single-pole Filter

J221/J222 系列

特点与用途

- ◆ 单相单极通用型交流滤波器;
- ◆ 结构简单、体积小、安装方便;
- ◆ J221为标准插片引出方式, J222为导线引出方式;
- ◆ 该系列滤波器可广泛应用于开关电源、小型工业自动化控制设备、办公设备以及数据通信设备等; 超低泄露电流产品还可以满足医疗器械设备要求。

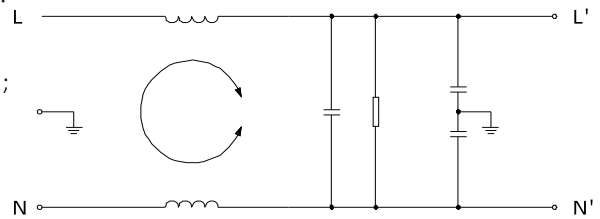
Features & Applications

- ◆ Single-phase Single-pole Universal AC-filter.
- ◆ Simple structure, small size, easy for installing.
- ◆ J221 is the terminal outlet type, J222 is the wire outlet type.
- ◆ This series of filters can be widely used in switching mode power supply, small industrial automation control equipments, office equipments and datacom equipments; ultra-low leakage current products can also meet requirements of medical equipments.



电路原理图

Circuit Schematic



认证

Certification

 US	美国/加拿大 USA/Canada	E515376	 1E	欧洲 Europe	ENEC-03607
---	----------------------	---------	---	--------------	------------

技术参数

Technical Parameter

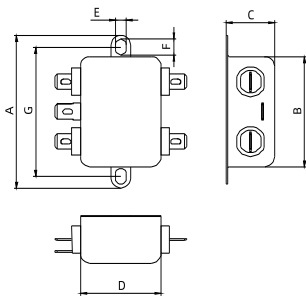
额定电流 Rated current	3 ~ 20A@40°C
额定电压 Rated voltage	0 ~ 250VAC
气候类别 Climatic category	25/100/21

泄漏电流 Leakage current	标准泄露电流 Standard leakage current < 2.5mA@250VAC 低泄露电流 Low leakage current < 0.5mA@250VAC
高压测试 High-voltage test	线-线(L-L) 1450 VDC 1min 线-地(L-G) 2000 VAC 1min
工作频率 Operating frequency	50/60 Hz

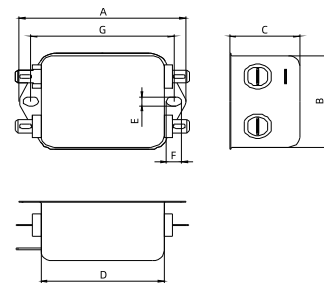
外形图

Outline Drawing

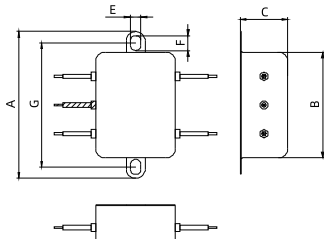
● 类型 A Type A



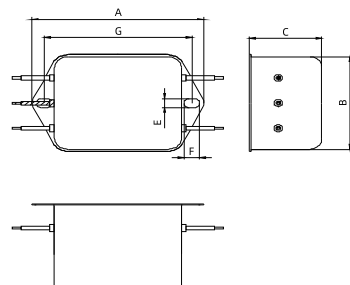
● 类型 B Type B



● 类型 C Type C



● 类型 D Type D



常用规格
Specification

常用型号 Common Type	额定电流 Rated Current	A (mm)	B (mm)	C (mm)	D (mm)	E (mm)	F (mm)	G (mm)	适用外形 Suitable Shape
J221-3X-S-XX	3A	62	46	22	32	5.3	6.3	54	A
J221-6X-S-XX	6A	62	46	22	32	5.3	6.3	54	A
J221-3X-M-XX	3A	85	52	38	63	5.3	6.3	75	B
J221-6X-M-XX	6A	85	52	38	63	5.3	6.3	75	B
J221-10X-M-XX	10A	85	52	38	63	5.3	6.3	75	B
J221-16X-M-XX	16A	85	52	38	63	5.3	6.3	75	B
J221-20X-M-XX	20A	85	52	38	63	5.3	6.3	75	B
J221-3X-L-XX	3A	96	55	45	75	5.3	6.3	87	B
J221-6X-L-XX	6A	96	55	45	75	5.3	6.3	87	B
J221-10X-L-XX	10A	96	55	45	75	5.3	6.3	87	B
J221-16X-L-XX	16A	96	55	45	75	5.3	6.3	87	B
J221-20X-L-XX	20A	96	55	45	75	5.3	6.3	87	B
J222-3X-S-XX	3A	62	46	22	32	5.3	6.3	54	C
J222-6X-S-XX	6A	62	46	22	32	5.3	6.3	54	C
J222-3X-M-XX	3A	85	52	38	63	5.3	6.3	75	D
J222-6X-M-XX	6A	85	52	38	63	5.3	6.3	75	D
J222-10X-M-XX	10A	85	52	38	63	5.3	6.3	75	D
J222-16X-M-XX	16A	85	52	38	63	5.3	6.3	75	D
J222-20X-M-XX	20A	85	52	38	63	5.3	6.3	75	D
J222-3X-L-XX	3A	96	55	45	75	5.3	6.3	87	D
J222-6X-L-XX	6A	96	55	45	75	5.3	6.3	87	D
J222-10X-L-XX	10A	96	55	45	75	5.3	6.3	87	D
J222-16X-L-XX	16A	96	55	45	75	5.3	6.3	87	D
J222-20X-L-XX	20A	96	55	45	75	5.3	6.3	87	D

备注:

1. “X” 代表实际滤波电感，可用字母A~Z表示；
2. “XX” 代表客户流水号，可用空格或数字00~99代替；
- 3.表中所列尺寸为公司常用规格尺寸，其他规格尺寸均可按照客户要求生产；

REMARKS:

1. “X” stands for the actual filter inductance, which can be represented by the letters A~Z.
2. “XX” stands for the customer’s serial number, which can be replaced by space or number 00~99.
- 3.The size listed on the table are our common size, other size can be produced according to customer’s requirements.

单相单极通用型滤波器

Universal Single-phase Single-pole Filter

J231/J232 系列

特点与用途

- ◆ 单相单极通用型交流滤波器;
- ◆ 结构简单、体积小、安装方便;
- ◆ J231为标准插片引出方式, J232为导线引出方式;
- ◆ 该系列滤波器可广泛应用于开关电源、小型工业自动化控制设备、办公设备以及数据通信设备等; 超低泄露电流产品还可以满足医疗器械设备要求。

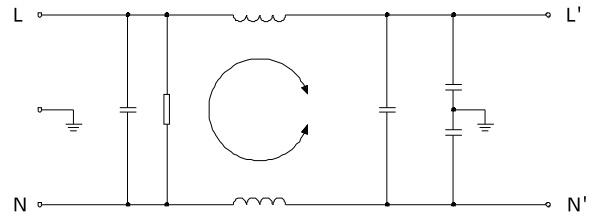
Features & Applications

- ◆ Single-phase Single-pole Universal AC-filter.
- ◆ Simple structure, small size, easy for installing.
- ◆ J231 is the terminal outlet type, J232 is the wire outlet type.
- ◆ This series of filters can be widely used in switching mode power supply, small industrial automation control equipments, office equipments and datacom equipments; ultra-low leakage current products can also meet requirements of medical equipments.



电路原理图

Circuit Schematic



认证 Certification

 US	美国/加拿大 USA/Canada	E515376	 1E	欧洲 Europe	ENEC-03607
---	----------------------	---------	---	--------------	------------

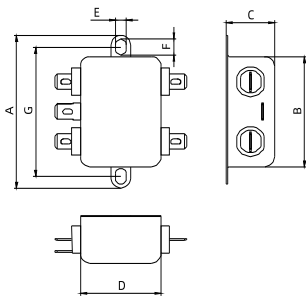
技术参数 Technical Parameter

额定电流 Rated current	3 ~ 20A@40°C
额定电压 Rated voltage	0 ~ 250VAC
气候类别 Climatic category	25/100/21

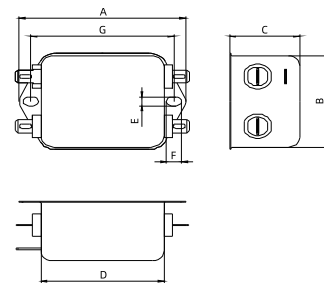
泄漏电流 Leakage current	标准泄露电流 Standard leakage current < 2.5mA@250VAC 低泄露电流 Low leakage current < 0.5mA@250VAC
高压测试 High-voltage test	线-线(L-L) 1450 VDC 1min 线-地(L-G) 2000 VAC 1min
工作频率 Operating frequency	50/60 Hz

外形图 Outline Drawing

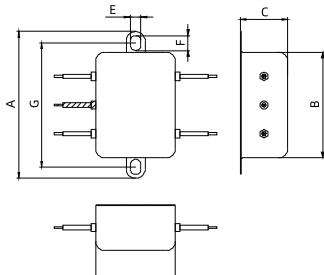
● 类型 A Type A



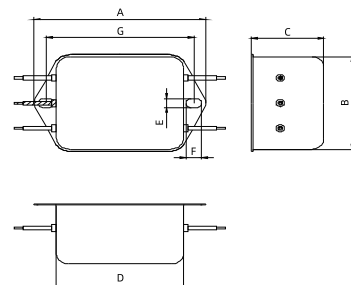
● 类型 B Type B



● 类型 C Type C



● 类型 D Type D



常用规格
Specification

常用型号 Common Type	额定电流 Rated Current	A (mm)	B (mm)	C (mm)	D (mm)	E (mm)	F (mm)	G (mm)	适用外形 Suitable Shape
J231-3X-S-XX	3A	62	46	22	32	5.3	6.3	54	A
J231-6X-S-XX	6A	62	46	22	32	5.3	6.3	54	A
J231-3X-M-XX	3A	85	52	38	63	5.3	6.3	75	B
J231-6X-M-XX	6A	85	52	38	63	5.3	6.3	75	B
J231-10X-M-XX	10A	85	52	38	63	5.3	6.3	75	B
J231-16X-M-XX	16A	85	52	38	63	5.3	6.3	75	B
J231-20X-M-XX	20A	85	52	38	63	5.3	6.3	75	B
J231-3X-L-XX	3A	96	55	45	75	5.3	6.3	87	B
J231-6X-L-XX	6A	96	55	45	75	5.3	6.3	87	B
J231-10X-L-XX	10A	96	55	45	75	5.3	6.3	87	B
J231-16X-L-XX	16A	96	55	45	75	5.3	6.3	87	B
J231-20X-L-XX	20A	96	55	45	75	5.3	6.3	87	B
J232-3X-S-XX	3A	62	46	22	32	5.3	6.3	54	C
J232-6X-S-XX	6A	62	46	22	32	5.3	6.3	54	C
J232-3X-M-XX	3A	85	52	38	63	5.3	6.3	75	D
J232-6X-M-XX	6A	85	52	38	63	5.3	6.3	75	D
J232-10X-M-XX	10A	85	52	38	63	5.3	6.3	75	D
J232-16X-M-XX	16A	85	52	38	63	5.3	6.3	75	D
J232-20X-M-XX	20A	85	52	38	63	5.3	6.3	75	D
J232-3X-L-XX	3A	96	55	45	75	5.3	6.3	87	D
J232-6X-L-XX	6A	96	55	45	75	5.3	6.3	87	D
J232-10X-L-XX	10A	96	55	45	75	5.3	6.3	87	D
J232-16X-L-XX	16A	96	55	45	75	5.3	6.3	87	D
J232-20X-L-XX	20A	96	55	45	75	5.3	6.3	87	D

备注:

1. “X” 代表实际滤波电感，可用字母A~Z表示；
2. “XX” 代表客户流水号，可用空格或数字00~99代替；
- 3.表中所列尺寸为公司常用规格尺寸，其他规格尺寸均可按照客户要求生产；

REMARKS:

1. “X” stands for the actual filter inductance, which can be represented by the letters A~Z.
2. “XX” stands for the customer’s serial number, which can be replaced by space or number 00~99.
- 3.The size listed on the table are our common size, other size can be produced according to customer’s requirements.

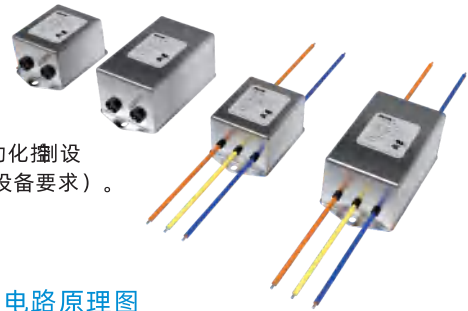
单相多极通用型滤波器

Universal Single-phase Multi-pole Filter

J241/J242 系列

特点与用途

- ◆ 单相多极通用型交流滤波器;
- ◆ 结构小巧、安装方便、在150K~30MHz有着卓越的差模和共模滤波效果;
- ◆ J241为标准插片引出方式, J242为导线引出方式;
- ◆ 该系列滤波器可广泛应用于家用电器、开关电源、健身器材、小型工业自动化控制设备、办公设备以及数据通信设备等(超低泄露电流产品还可以满足医疗器械设备要求)。

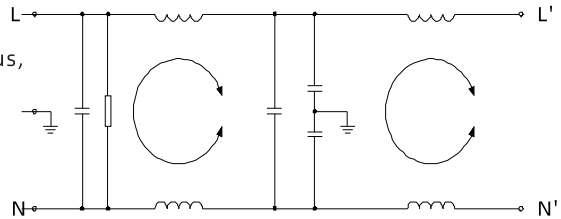


Features & Applications

- ◆ Single-phase Multi-pole Universal AC-filter.
 - ◆ Compact structure, easy for installing, excellent differential-mode and common-mode filtering effect at 150K ~ 30MHz.
 - ◆ J241 is the terminal outlet type, J242 is the wire outlet type.
- This series of filters can be widely used in household appliances, switching mode power supply, fitness apparatus, small industrial automation control equipments, office equipments and datacom equipments (ultra-low leakage current products can also meet requirements of medical equipments).

电路原理图

Circuit Schematic



认证

Certification

	美国/加拿大 USA/Canada	E515376		欧洲 Europe	ENEC-03607
--	----------------------	---------	--	--------------	------------

技术参数

Technical Parameter

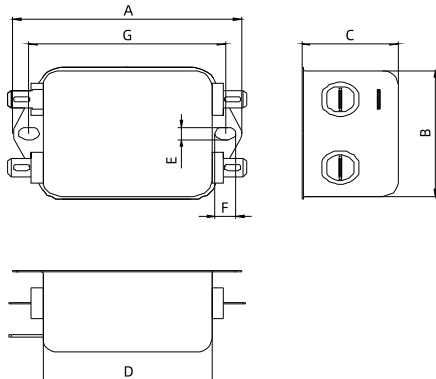
额定电流 Rated current	3 ~ 20A@40°C
额定电压 Rated voltage	0 ~ 250VAC
气候类别 Climatic category	25/100/21

泄漏电流 Leakage current	标准泄露电流 Standard leakage current < 2.5mA@250VAC 低泄露电流 Low leakage current < 0.5mA@250VAC
高压测试 High-voltage test	线-线(L-L) 1450 VDC 1min 线-地(L-G) 2000 VAC 1min
工作频率 Operating frequency	50/60 Hz

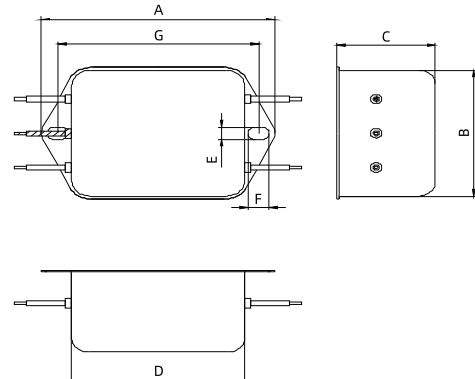
外形图

Outline Drawing

● 类型 A Type A



● 类型 B Type B



常用规格
Specification

常用型号 Common Type	额定电流 Rated Current	A (mm)	B (mm)	C (mm)	D (mm)	E (mm)	F (mm)	G (mm)	适用外形 Suitable Shape
J241-3X-S-XX	3A	85	52	38	63	5.3	6.3	75	A
J241-6X-S-XX	6A	85	52	38	63	5.3	6.3	75	A
J241-10X-S-XX	10A	85	52	38	63	5.3	6.3	75	A
J241-16X-S-XX	16A	85	52	38	63	5.3	6.3	75	A
J241-20X-S-XX	20A	85	52	38	63	5.3	6.3	75	A
J241-3X-M-XX	3A	115	57.5	45	95	5.3	6.3	103	A
J241-6X-M-XX	6A	115	57.5	45	95	5.3	6.3	103	A
J241-10X-M-XX	10A	115	57.5	45	95	5.3	6.3	103	A
J241-16X-M-XX	16A	115	57.5	45	95	5.3	6.3	103	A
J241-20X-M-XX	20A	115	57.5	45	95	5.3	6.3	103	A
J242-3X-S-XX	3A	85	52	38	63	5.3	6.3	75	B
J242-6X-S-XX	6A	85	52	38	63	5.3	6.3	75	B
J242-10X-S-XX	10A	85	52	38	63	5.3	6.3	75	B
J242-16X-S-XX	16A	85	52	38	63	5.3	6.3	75	B
J242-20X-S-XX	20A	85	52	38	63	5.3	6.3	75	B
J242-3X-M-XX	3A	115	57.5	45	95	5.3	6.3	103	B
J242-6X-M-XX	6A	115	57.5	45	95	5.3	6.3	103	B
J242-10X-M-XX	10A	115	57.5	45	95	5.3	6.3	103	B
J242-16X-M-XX	16A	115	57.5	45	95	5.3	6.3	103	B
J242-20X-M-XX	20A	115	57.5	45	95	5.3	6.3	103	B

备注:

1. “X” 代表实际滤波电感，可用字母A~Z表示；
2. “XX” 代表客户流水号，可用空格或数字00~99代替；
- 3.表中所列尺寸为公司常用规格尺寸，其他规格尺寸均可按照客户要求生产；
- 4.表中数据若有更改恕不另行通知；
- 5.我司可帮忙推荐选型，并提供整机EMC解决方案及技术支持。

REMARKS:

1. “X” stands for the actual filter inductance, which can be represented by the letters A~Z.
2. “XX” stands for the customer’s serial number, which can be replaced by space or number 00~99.
- 3.The size listed on the table are our common size, other size can be produced according to customer’s requirements.
- 4.The data in the table are subjected to change without notice.
- 5.We can help to recommed the selection and provide the EMC solutions and technical supports for the machine.

单相多极通用型滤波器

Universal Single-phase Multi-pole Filter

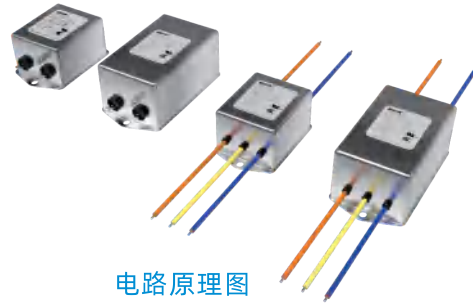
J251/J252 系列

特点与用途

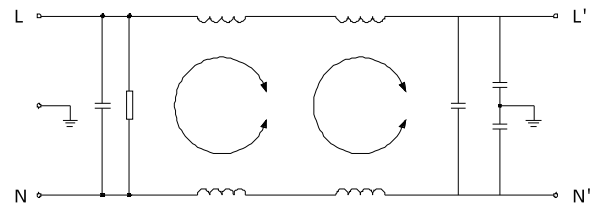
- ◆ 单相多极通用型交流滤波器;
- ◆ 结构小巧、安装方便、在150K~30MHz有着卓越的差模和共模滤波效果;
- ◆ J251为标准插片引出方式, J252为导线引出方式;
- ◆ 该系列滤波器可广泛应用于家用电器、开关电源、健身器材、小型工业自动化控制设备、办公设备以及数据通信设备等(超低泄露电流产品还可以满足医疗器械设备要求)。

Features & Applications

- ◆ Single-phase Multi-pole Universal AC-filter.
- ◆ Compact structure, easy for installing, excellent differential-mode and common-mode filtering effect at 150K ~ 30MHz.
- ◆ J251 is the terminal outlet type, J252 is the wire outlet type.
- ◆ This series of filters can be widely used in household appliances, switching mode power supply, fitness apparatus, small industrial automation control equipments, office equipments and datacom equipments (ultra-low leakage current products can also meet requirements of medical equipments).



电路原理图
Circuit Schematic



认证 Certification

	美国/加拿大 USA/Canada	E515376		欧洲 Europe	ENEC-03607
--	----------------------	---------	--	--------------	------------

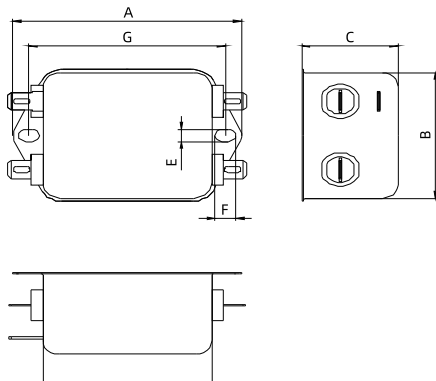
技术参数 Technical Parameter

额定电流 Rated current	3 ~ 20A@40°C
额定电压 Rated voltage	0 ~ 250VAC
气候类别 Climatic category	25/100/21

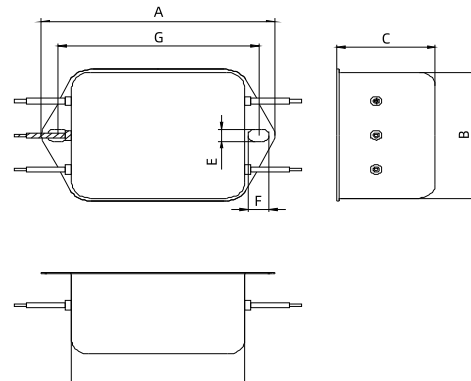
泄漏电流 Leakage current	标准泄露电流 Standard leakage current < 2.5mA@250VAC 低泄露电流 Low leakage current < 0.5mA@250VAC
高压测试 High-voltage test	线-线(L-L) 1450 VDC 1min 线-地(L-G) 2000 VAC 1min
工作频率 Operating frequency	50/60 Hz

外形图 Outline Drawing

● 类型 A
Type A



● 类型 B
Type B



常用规格
Specification

常用型号 Common Type	额定电流 Rated Current	A (mm)	B (mm)	C (mm)	D (mm)	E (mm)	F (mm)	G (mm)	适用外形 Suitable Shape
J251-3X-S-XX	3A	85	52	38	63	5.3	6.3	75	A
J251-6X-S-XX	6A	85	52	38	63	5.3	6.3	75	A
J251-10X-S-XX	10A	85	52	38	63	5.3	6.3	75	A
J251-16X-S-XX	16A	85	52	38	63	5.3	6.3	75	A
J251-20X-S-XX	20A	85	52	38	63	5.3	6.3	75	A
J251-3X-M-XX	3A	115	57.5	45	95	5.3	6.3	103	A
J251-6X-M-XX	6A	115	57.5	45	95	5.3	6.3	103	A
J251-10X-M-XX	10A	115	57.5	45	95	5.3	6.3	103	A
J251-16X-M-XX	16A	115	57.5	45	95	5.3	6.3	103	A
J251-20X-M-XX	20A	115	57.5	45	95	5.3	6.3	103	A
J252-3X-S-XX	3A	85	52	38	63	5.3	6.3	75	B
J252-6X-S-XX	6A	85	52	38	63	5.3	6.3	75	B
J252-10X-S-XX	10A	85	52	38	63	5.3	6.3	75	B
J252-16X-S-XX	16A	85	52	38	63	5.3	6.3	75	B
J252-20X-S-XX	20A	85	52	38	63	5.3	6.3	75	B
J252-3X-M-XX	3A	115	57.5	45	95	5.3	6.3	103	B
J252-6X-M-XX	6A	115	57.5	45	95	5.3	6.3	103	B
J252-10X-M-XX	10A	115	57.5	45	95	5.3	6.3	103	B
J252-16X-M-XX	16A	115	57.5	45	95	5.3	6.3	103	B
J252-20X-M-XX	20A	115	57.5	45	95	5.3	6.3	103	B

备注:

1. “X” 代表实际滤波电感，可用字母A~Z表示；
2. “XX” 代表客户流水号，可用空格或数字00~99代替；
- 3.表中所列尺寸为公司常用规格尺寸，其他规格尺寸均可按照客户要求生产；
- 4.表中数据若有更改恕不另行通知；
- 5.我司可帮忙推荐选型，并提供整机EMC解决方案及技术支持。

REMARKS:

1. “X” stands for the actual filter inductance, which can be represented by the letters A~Z.
2. “XX” stands for the customer’s serial number, which can be replaced by space or number 00~99.
- 3.The size listed on the table are our common size, other size can be produced according to customer’s requirements.
- 4.The data in the table are subjected to change without notice.
- 5.We can help to recommed the selection and provide the EMC solutions and technical supports for the machine.

单相多极通用型滤波器

Universal Single-phase Multi-pole Filter

J261/J262 系列

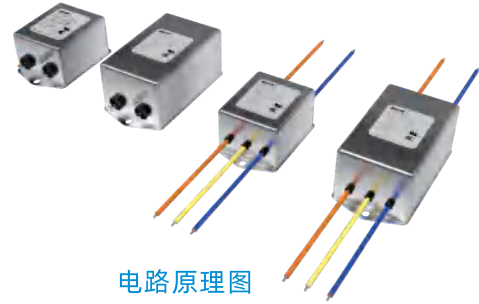
特点与用途

- ◆ 单相多极通用型交流滤波器;
- ◆ 结构小巧、安装方便、在 150K~30MHz 有着卓越的差模和共模滤波效果;
- ◆ J261 为标准插片引出方式, J262 为导线引出方式;
- ◆ 该系列滤波器可广泛应用于家用电器、开关电源、健身器材、小型工业自动化控制设备、办公设备以及数据通信设备等(超低泄露电流产品还可以满足医疗器械设备要求)。

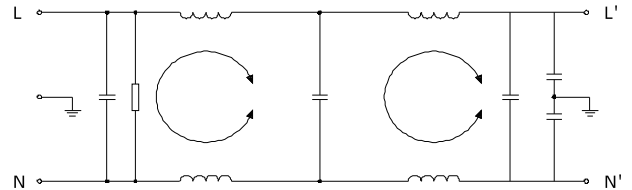
Features & Applications

Single-phase Multi-pole Universal AC-filter.

- ◆ Compact structure, easy for installing, excellent differential-mode and common-mode filtering effect at 150K ~ 30MHz.
- ◆ J261 is the terminal outlet type, J262 is the wire outlet type.
- ◆ This series of filters can be widely used in household appliances, switching mode power supply, fitness apparatus, small industrial automation control equipments, office equipments and datacom equipments (ultra-low leakage current products can also meet requirements of medical equipments).



电路原理图
Circuit Schematic



认证

Certification

	美国/加拿大 USA/Canada	E515376		欧洲 Europe	ENEC-03607
--	----------------------	---------	--	--------------	------------

技术参数

Technical Parameter

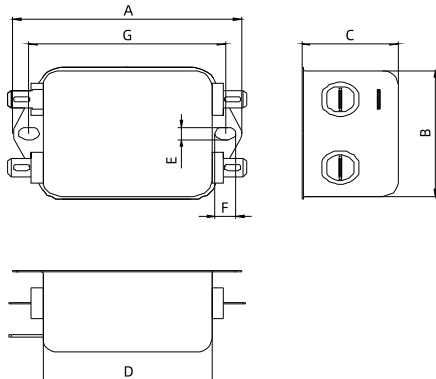
额定电流 Rated current	3 ~ 20A@40°C
额定电压 Rated voltage	0 ~ 250VAC
气候类别 Climatic category	25/100/21

泄漏电流 Leakage current	标准泄露电流 Standard leakage current < 2.5mA@250VAC 低泄露电流 Low leakage current < 0.5mA@250VAC
高压测试 High-voltage test	线-线(L-L) 1450 VDC 1min 线-地(L-G) 2000 VAC 1min.
工作频率 Operating frequency	50/60 Hz

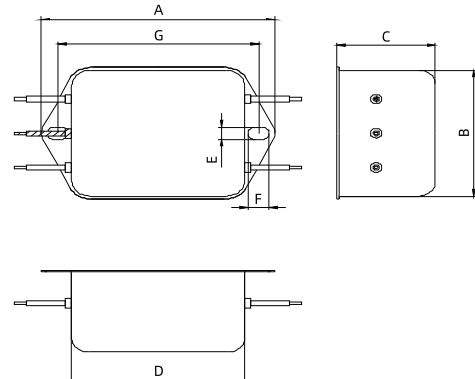
外形图

Outline Drawing

● 类型 A Type A



● 类型 B Type B



常用规格
Specification

常用型号 Common Type	额定电流 Rated Current	A (mm)	B (mm)	C (mm)	D (mm)	E (mm)	F (mm)	G (mm)	适用外形 Suitable Shape
J261-3X-S-XX	3A	85	52	38	63	5.3	6.3	75	A
J261-6X-S-XX	6A	85	52	38	63	5.3	6.3	75	A
J261-10X-S-XX	10A	85	52	38	63	5.3	6.3	75	A
J261-16X-S-XX	16A	85	52	38	63	5.3	6.3	75	A
J261-20X-S-XX	20A	85	52	38	63	5.3	6.3	75	A
J261-3X-M-XX	3A	115	57.5	45	95	5.3	6.3	103	A
J261-6X-M-XX	6A	115	57.5	45	95	5.3	6.3	103	A
J261-10X-M-XX	10A	115	57.5	45	95	5.3	6.3	103	A
J261-16X-M-XX	16A	115	57.5	45	95	5.3	6.3	103	A
J261-20X-M-XX	20A	115	57.5	45	95	5.3	6.3	103	A
J262-3X-S-XX	3A	85	52	38	63	5.3	6.3	75	B
J262-6X-S-XX	6A	85	52	38	63	5.3	6.3	75	B
J262-10X-S-XX	10A	85	52	38	63	5.3	6.3	75	B
J262-16X-S-XX	16A	85	52	38	63	5.3	6.3	75	B
J262-20X-S-XX	20A	85	52	38	63	5.3	6.3	75	B
J262-3X-M-XX	3A	115	57.5	45	95	5.3	6.3	103	B
J262-6X-M-XX	6A	115	57.5	45	95	5.3	6.3	103	B
J262-10X-M-XX	10A	115	57.5	45	95	5.3	6.3	103	B
J262-16X-M-XX	16A	115	57.5	45	95	5.3	6.3	103	B
J262-20X-M-XX	20A	115	57.5	45	95	5.3	6.3	103	B

备注:

1. “X” 代表实际滤波电感，可用字母A~Z表示；
2. “XX” 代表客户流水号，可用空格或数字00~99代替；
- 3.表中所列尺寸为公司常用规格尺寸，其他规格尺寸均可按照客户要求生产；
- 4.表中数据若有更改恕不另行通知；
- 5.我司可帮忙推荐选型，并提供整机EMC解决方案及技术支持。

REMARKS:

1. “X” stands for the actual filter inductance, which can be represented by the letters A~Z.
2. “XX” stands for the customer’s serial number, which can be replaced by space or number 00~99.
- 3.The size listed on the table are our common size, other size can be produced according to customer’s requirements.
- 4.The data in the table are subjected to change without notice.
- 5.We can help to recommended the selection and provide the EMC solutions and technical supports for the machine.

单相多极通用型滤波器

Universal Single-phase Multi-pole Filter

J271/J272 系列

特点与用途

- ◆ 单相多极通用型交流滤波器;
- ◆ 结构小巧、安装方便、在150K~30MHz有着卓越的差模和共模滤波效果;
- ◆ J271为标准插片引出方式, J272为导线引出方式;
- ◆ 该系列滤波器可广泛应用于家用电器、开关电源、健身器材、小型工业自动化控制设备、办公设备以及数据通信设备等(超低泄露电流产品还可以满足医疗器械设备要求)。

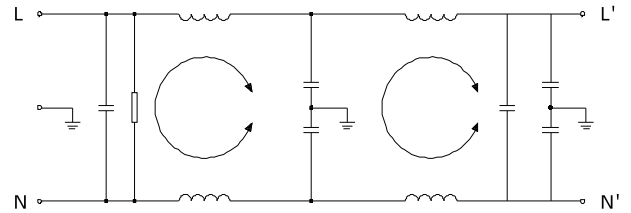
Features & Applications

Single-phase Multi-pole Universal AC-filter.

- ◆ Compact structure, easy for installing, excellent differential-mode and common-mode filtering effect at 150K ~ 30MHz.
- ◆ J271 is the terminal outlet type, J272 is the wire outlet type.
- ◆ This series of filters can be widely used in household appliances, switching mode power supply, fitness apparatus, small industrial automation control equipments, office equipments and datacom equipments (ultra-low leakage current products can also meet requirements of medical equipments).



电路原理图
Circuit Schematic



认证 Certification

	美国/加拿大 USA/Canada	E515376		欧洲 Europe	ENEC-03607
--	----------------------	---------	--	--------------	------------

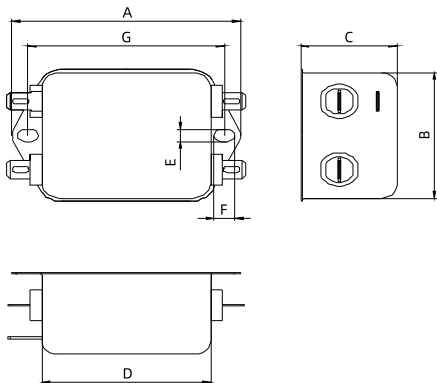
技术参数 Technical Parameter

额定电流 Rated current	3 ~ 20A@40°C
额定电压 Rated voltage	0 ~ 250VAC
气候类别 Climatic category	25/100/21

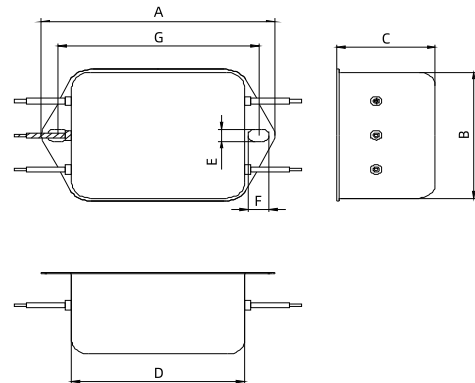
泄漏电流 Leakage current	标准泄露电流 Standard leakage current < 2.5mA@250VAC 低泄露电流 Low leakage current < 0.5mA@250VAC
高压测试 High-voltage test	线-线(L-L) 1450 VDC 1min 线-地(L-G) 2000 VAC 1min.
工作频率 Operating frequency	50/60 Hz

外形图 Outline Drawing

● 类型 A Type A



● 类型 B Type B



常用规格
Specification

常用型号 Common Type	额定电流 Rated Current	A (mm)	B (mm)	C (mm)	D (mm)	E (mm)	F (mm)	G (mm)	适用外形 Suitable Shape
J271-3X-S-XX	3A	85	52	38	63	5.3	6.3	75	A
J271-6X-S-XX	6A	85	52	38	63	5.3	6.3	75	A
J271-10X-S-XX	10A	85	52	38	63	5.3	6.3	75	A
J271-16X-S-XX	16A	85	52	38	63	5.3	6.3	75	A
J271-20X-S-XX	20A	85	52	38	63	5.3	6.3	75	A
J271-3X-M-XX	3A	115	57.5	45	95	5.3	6.3	103	A
J271-6X-M-XX	6A	115	57.5	45	95	5.3	6.3	103	A
J271-10X-M-XX	10A	115	57.5	45	95	5.3	6.3	103	A
J271-16X-M-XX	16A	115	57.5	45	95	5.3	6.3	103	A
J271-20X-M-XX	20A	115	57.5	45	95	5.3	6.3	103	A
J272-3X-S-XX	3A	85	52	38	63	5.3	6.3	75	B
J272-6X-S-XX	6A	85	52	38	63	5.3	6.3	75	B
J272-10X-S-XX	10A	85	52	38	63	5.3	6.3	75	B
J272-16X-S-XX	16A	85	52	38	63	5.3	6.3	75	B
J272-20X-S-XX	20A	85	52	38	63	5.3	6.3	75	B
J272-3X-M-XX	3A	115	57.5	45	95	5.3	6.3	103	B
J272-6X-M-XX	6A	115	57.5	45	95	5.3	6.3	103	B
J272-10X-M-XX	10A	115	57.5	45	95	5.3	6.3	103	B
J272-16X-M-XX	16A	115	57.5	45	95	5.3	6.3	103	B
J272-20X-M-XX	20A	115	57.5	45	95	5.3	6.3	103	B

备注:

1. “X” 代表实际滤波电感，可用字母A~Z表示；
2. “XX” 代表客户流水号，可用空格或数字00~99代替；
- 3.表中所列尺寸为公司常用规格尺寸，其他规格尺寸均可按照客户要求生产；
- 4.表中数据若有更改恕不另行通知；
- 5.我司可帮忙推荐选型，并提供整机EMC解决方案及技术支持。

REMARKS:

1. “X” stands for the actual filter inductance, which can be represented by the letters A~Z.
2. “XX” stands for the customer’s serial number, which can be replaced by space or number 00~99.
- 3.The size listed on the table are our common size, other size can be produced according to customer’s requirements.
- 4.The data in the table are subjected to change without notice.
- 5.We can help to recommend the selection and provide the EMC solutions and technical supports for the machine.

单相多极通用型滤波器

Universal Single-phase Multi-pole Filter

J281/J282 系列

特点与用途

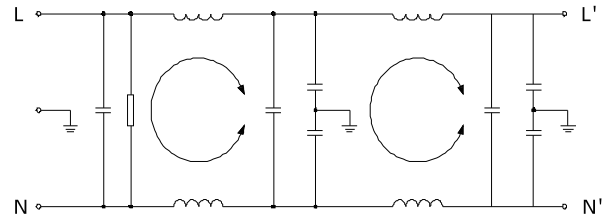
- ◆ 单相多极通用型交流滤波器;
- ◆ 结构小巧、安装方便、在150K~30MHz有着卓越的差模和共模滤波效果;
- ◆ J281为标准插片引出方式, J282为导线引出方式;
- ◆ 该系列滤波器可广泛应用于家用电器、开关电源、健身器材、小型工业自动化控制设备、办公设备以及数据通信设备等(超低泄露电流产品还可以满足医疗器械设备要求)。

Features & Applications

- ◆ Single-phase Multi-pole Universal AC-filter.
- ◆ Compact structure, easy for installing, excellent differential-mode and common-mode filtering effect at 150K ~ 30MHz.
- ◆ J281 is the terminal outlet type, J282 is the wire outlet type.
- ◆ This series of filters can be widely used in household appliances, switching mode power supply, fitness apparatus, small industrial automation control equipments, office equipments and datacom equipments (ultra-low leakage current products can also meet requirements of medical equipments).



电路原理图
Circuit Schematic



认证 Certification

	美国/加拿大 USA/Canada	E515376		欧洲 Europe	ENEC-03607
--	----------------------	---------	--	--------------	------------

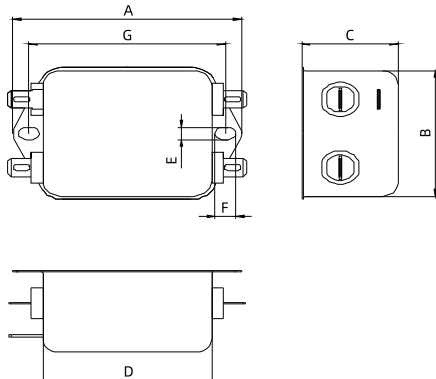
技术参数 Technical Parameter

额定电流 Rated current	3 ~ 20A@40°C
额定电压 Rated voltage	0 ~ 250VAC
气候类别 Climatic category	25/100/21

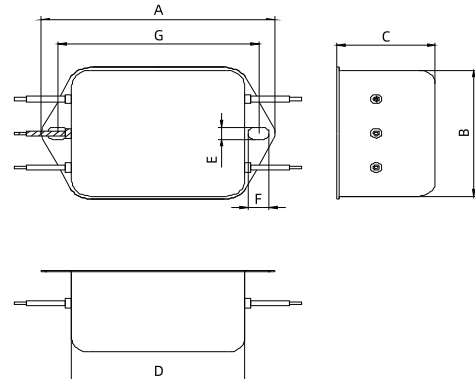
泄漏电流 Leakage current	标准泄露电流 Standard leakage current < 2.5mA@250VAC 低泄露电流 Low leakage current < 0.5mA@250VAC
高压测试 High-voltage test	线-线(L-L) 1450 VDC 1min 线-地(L-G) 2000 VAC 1min
工作频率 Operating frequency	50/60 Hz

外形图 Outline Drawing

● 类型 A Type A



● 类型 B Type B



常用规格
Specification

常用型号 Common Type	额定电流 Rated Current	A (mm)	B (mm)	C (mm)	D (mm)	E (mm)	F (mm)	G (mm)	适用外形 Suitable Shape
J281-3X-S-XX	3A	85	52	38	63	5.3	6.3	75	A
J281-6X-S-XX	6A	85	52	38	63	5.3	6.3	75	A
J281-10X-S-XX	10A	85	52	38	63	5.3	6.3	75	A
J281-16X-S-XX	16A	85	52	38	63	5.3	6.3	75	A
J281-20X-S-XX	20A	85	52	38	63	5.3	6.3	75	A
J281-3X-M-XX	3A	115	57.5	45	95	5.3	6.3	103	A
J281-6X-M-XX	6A	115	57.5	45	95	5.3	6.3	103	A
J281-10X-M-XX	10A	115	57.5	45	95	5.3	6.3	103	A
J281-16X-M-XX	16A	115	57.5	45	95	5.3	6.3	103	A
J281-20X-M-XX	20A	115	57.5	45	95	5.3	6.3	103	A
J282-3X-S-XX	3A	85	52	38	63	5.3	6.3	75	B
J282-6X-S-XX	6A	85	52	38	63	5.3	6.3	75	B
J282-10X-S-XX	10A	85	52	38	63	5.3	6.3	75	B
J282-16X-S-XX	16A	85	52	38	63	5.3	6.3	75	B
J282-20X-S-XX	20A	85	52	38	63	5.3	6.3	75	B
J282-3X-M-XX	3A	115	57.5	45	95	5.3	6.3	103	B
J282-6X-M-XX	6A	115	57.5	45	95	5.3	6.3	103	B
J282-10X-M-XX	10A	115	57.5	45	95	5.3	6.3	103	B
J282-16X-M-XX	16A	115	57.5	45	95	5.3	6.3	103	B
J282-20X-M-XX	20A	115	57.5	45	95	5.3	6.3	103	B

单相谐波滤波器

Single-phase Harmonic Filter

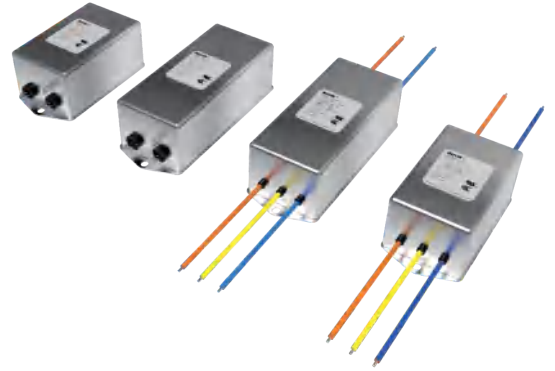
J291/J292 系列

特点与用途

- ◆ 单相谐波滤波器，集滤波和治理谐波功能于一体；
- ◆ 结构小巧、安装方便；
- ◆ J291为标准插片引出方式，J292为导线引出方式；
- ◆ 广泛应用于家用电器、运动健身器材和车载制冷空调等。

Features & Applications

- ◆ Single-phase harmonic filter, integrating filtering and harmonic control functions.
- ◆ Compact structure, easy for installing.
- ◆ J291 is the terminal outlet type, J292 is the wire outlet type.
- ◆ Widely used in household appliances, fitness apparatus and car air-conditioner.



认证 Certification

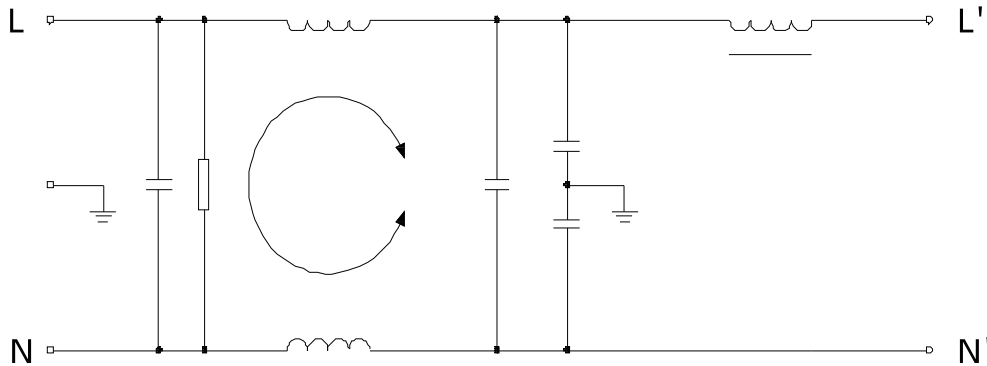
	美国/加拿大 USA/Canada	E515376		欧洲 Europe	ENEC-03607
--	----------------------	---------	--	--------------	------------

技术参数 Technical Parameter

额定电流 Rated current	3 ~ 10A@40°C
额定电压 Rated voltage	0 ~ 250VAC
气候类别 Climatic category	25/100/21
绝缘电阻 Insulation resistance	≥100MΩ@500VDC

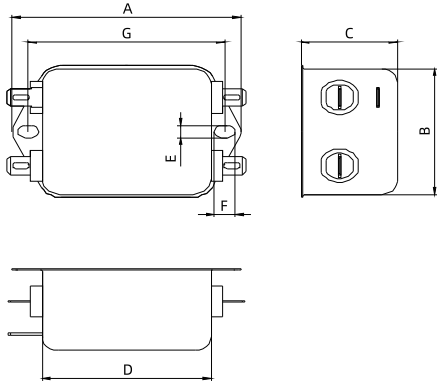
泄漏电流 Leakage current	标准泄漏电流 Standard leakage current < 2.5mA@250VAC 低泄漏电流 Low leakage current < 0.5mA@250VAC
高压测试 High-voltage test	线-线(L-L) 1450 VDC 1min 线-地(L-G) 2000 VAC 1min
工作频率 Operating frequency	50/60 Hz

电路原理图 Circuit Schematic

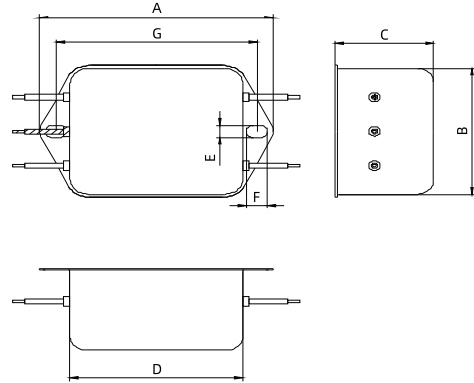


外形图 Outline Drawing

● 类型 A
Type A



● 类型 B
Type B



常用规格 Specification

常用型号 Common Type	额定电流 Rated Current	A (mm)	B (mm)	C (mm)	D (mm)	E (mm)	F (mm)	G (mm)	适用外形 Suitable Shape
J291-3X-M-XX	3A	115	57.5	45	95	5.3	6.3	103	A
J291-6X-M-XX	6A	153	57.5	45	131	5.3	6.3	143	A
J291-10X-M-XX	10A	153	57.5	45	131	5.3	6.3	143	A
J292-3X-M-XX	3A	115	57.5	45	95	5.3	6.3	103	B
J292-6X-M-XX	6A	153	57.5	45	131	5.3	6.3	143	B
J292-10X-M-XX	10A	153	57.5	45	131	5.3	6.3	143	B

备注:

1. “X” 代表实际滤波电感，可用字母A~Z表示；
2. “XX” 代表客户流水号，可用空格或数字00~99代替；
3. 表中所列尺寸为公司常用规格尺寸，其他规格尺寸均可按照客户要求生产；
4. 表中数据若有更改恕不另行通知；
5. 我司可帮忙推荐选型，并提供整机EMC解决方案及技术支持。

REMARKS:

1. “X” stands for the actual filter inductance, which can be represented by the letters A~Z.
2. “XX” stands for the customer’s serial number, which can be replaced by space or number 00~99.
3. The size listed on the table are our common size, other size can be produced according to customer’s requirements.
4. The data in the table are subjected to change without notice.
5. We can help to recommend the selection and provide the EMC solutions and technical supports for the machine.

三相三线电梯/扶梯滤波器

Three-phase Three-wire Elevator / Escalator Filter

YHDQ-J354-XX

特点与用途

- ◆ 三相三线（不带中线）工业级电源滤波器；
- ◆ 扁长型结构，欧式穿墙端子出线方式，设计安全可靠；
- ◆ 与客户整梯匹配可满足EN12015（GB/T24807）不同电流段传导发射限值；
- ◆ 广泛应用于电梯、扶梯、人行道等系列产品控制柜中。

Features & Applications

- ◆ Three-phase Three-wire (without neutral) Industrial Grade EMI Filter.
- ◆ Flat and long structure, european through-wall terminal outlet mood, safe and reliable design.
- ◆ Matching with the customer's entire ladder can meet the conduction emission limits of different current segments of EN12015 (GB / T24807).
- ◆ Widely used in the control cabinets of elevators, escalators, sidewalks and others.



技术参数

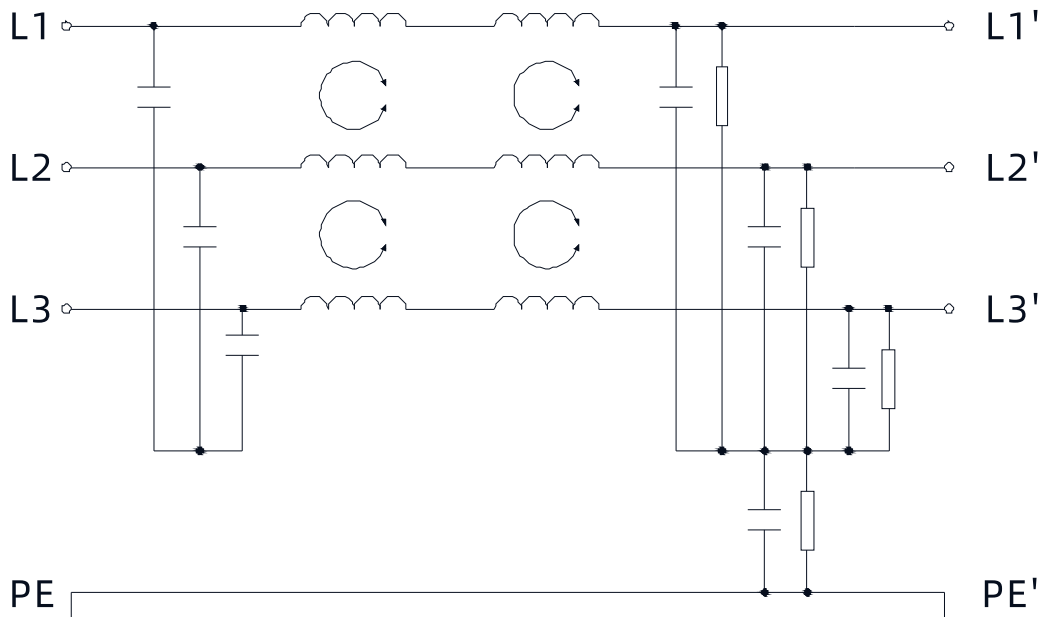
Technical Parameter

额定电流 Rated current	7 ~ 180A
额定电压 Rated voltage	480VAC Max
环境温度 Operating temperature	-20°C ~ +50°C
泄漏电流 Leakage current	≤100mA@380VAC

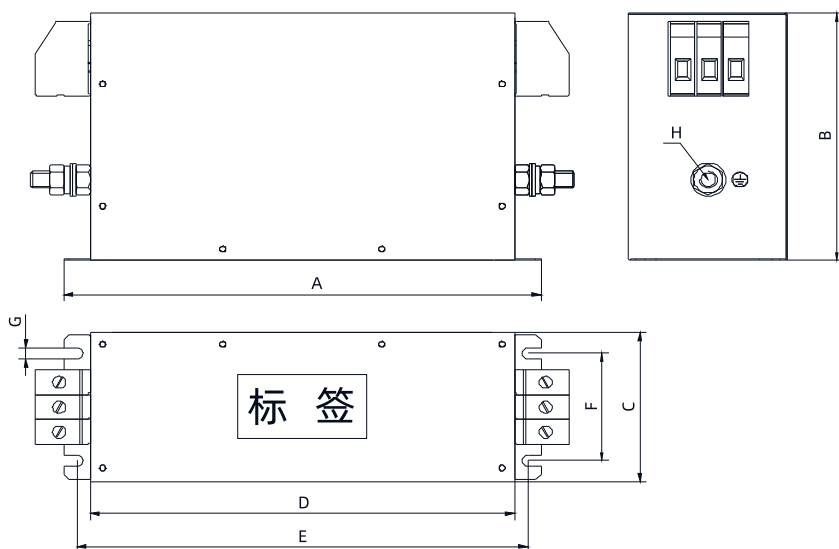
绝缘电阻 Insulation resistance	≥1MΩ@500VDC
高压测试 High-voltage test	线-线(L-L) 1450 VDC 1min 线-地(L-G) 2250 VDC 1min
工作频率 Operating frequency	50/60 Hz

电路原理图

Circuit Schematic



外形图 Outline Drawing



常用规格 Specification

常用型号 Common Type	电流 Current	A	B	C	D	E	F	G	H	推荐电机功率 Recommended Motor Power
YHDQ-J354-7A	7A	190	70	40	160	180	20	4.5	M5	3.7KW
YHDQ-J354-16A	16A	250	70	45	220	235	25	5.4	M5	7.5KW
YHDQ-J354-30A	30A	270	85	50	240	255	30	5.4	M5	15KW
YHDQ-J354-42A	42A	310	85	50	280	295	30	5.4	M6	22KW
YHDQ-J354-55A	55A	250	90	85	220	235	60	5.4	M6	30KW
YHDQ-J354-75A	75A	270	135	80	240	255	60	6.5	M6	37KW
YHDQ-J354-100A	100A	270	150	90	240	255	65	6.5	M10	45KW
YHDQ-J354-130A	130A	270	150	90	240	255	65	6.5	M10	55KW
YHDQ-J354-150A	150A	270	150	90	240	255	65	6.5	M10	75KW
YHDQ-J354-180A	180A	380	170	120	350	365	102	6.5	M10	90KW

备注:

- 1、表中所列尺寸为公司常用规格尺寸，其他规格尺寸均可按照客户要求生产；
- 2、可根据客户要求定制电抗器；
- 3、我司可推荐选型，并提供谐波抑制和处理方案及技术支持。

REMARKS:

- 1.The dimension on the above chart is our common specifications, we can produce as customer's requests.
- 2.The reactor can be customized according to customer's requests.
- 3.We can recommend the selection and provide the harmonic suppression, solutions and technical supports.

三相四线电梯/扶梯滤波器

Three-phase Four-wire Elevator / Escalator Filter

YHDQ-J454-XX

特点与用途

- ◆ 三相四线（带中线）工业级电源滤波器；
- ◆ 扁长型结构，欧式穿墙端子出线方式，设计安全可靠；
- ◆ 与客户整梯配合通过EN12015（GB/T24807）不同电流段传导发射限值；
- ◆ 广泛应用于电梯、扶梯、人行道等系列产品控制柜中。

Features & Applications

- ◆ Three-phase Four-wire (without neutral) Industrial Grade EMI Filter.
- ◆ Flat and long structure, european through-wall terminal outlet mood, safe and reliable design.
- ◆ Matching with the customer's entire ladder can meet the conduction emission limits of different current segments of EN12015 (GB / T24807).
- ◆ Widely used in the control cabinets of elevators, escalators, sidewalks and others.



技术参数

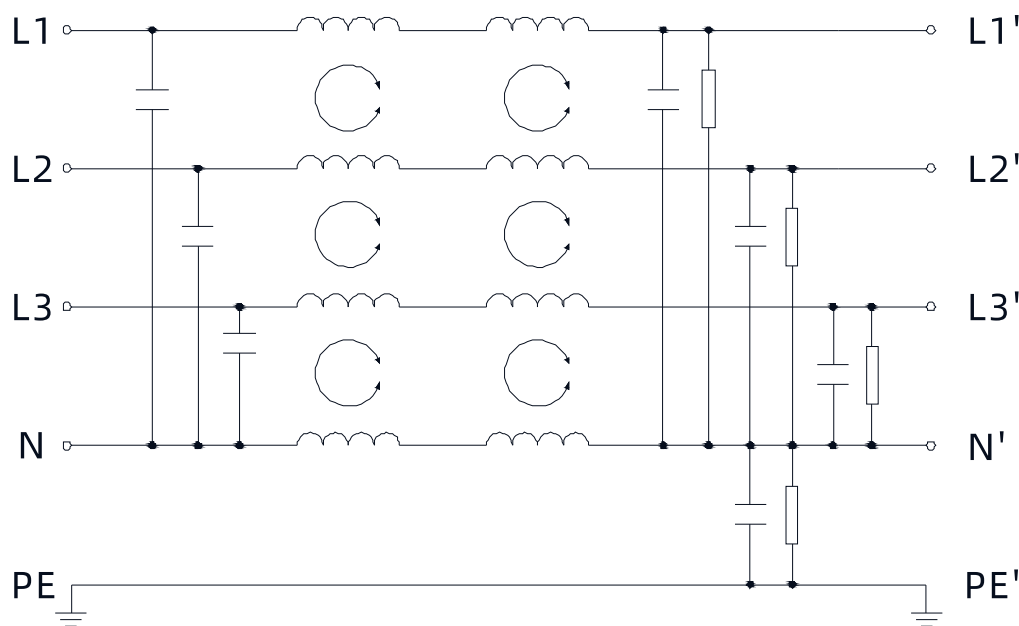
Technical Parameter

额定电流 Rated current	7 ~ 180A
额定电压 Rated voltage	480VAC Max
环境温度 Operating temperature	-20°C ~ +50°C
泄漏电流 Leakage current	≤100mA@380VAC

绝缘电阻 Insulation resistance	≥1MΩ@500VDC
高压测试 High-voltage test	线-线(L-L) 1450 VDC 1min 线-地(N-G) 1450 VDC 1min 线-地(L-G) 2250 VDC 1min
工作频率 Operating frequency	50/60 Hz

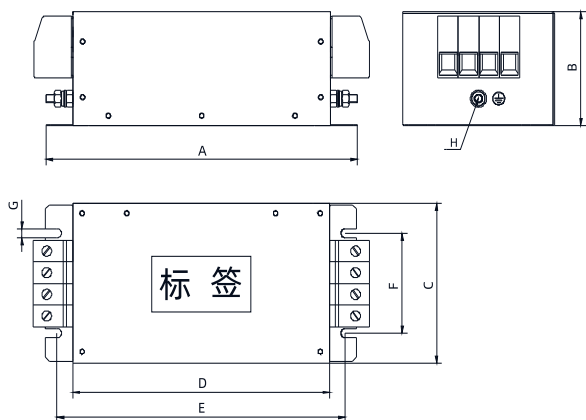
电路原理图

Circuit Schematic

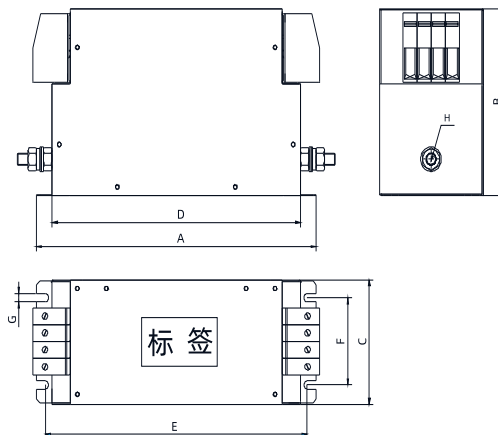


外形图 Outline Drawing

● 类型 A
Type A



● 类型 B
Type B



常用规格 Specification

常用型号 Common Type	电流 Current	A	B	C	D	E	F	G	H	适用外形 Suitable Shape	推荐电机功率 Recommended Motor Power
YHDQ-J454-7A	7A	230	80	112	190	213	70	6.5	M6	A	3.7KW
YHDQ-J454-16A	16A	230	80	112	190	213	70	6.5	M6	A	7.5KW
YHDQ-J454-30A	30A	230	80	112	190	213	70	6.5	M6	A	15KW
YHDQ-J454-42A	42A	230	80	112	190	213	70	6.5	M6	A	22KW
YHDQ-J454-55A	55A	260	80	112	220	243	90	6.5	M6	A	30KW
YHDQ-J454-75A	75A	260	80	112	220	243	90	6.5	M6	A	37KW
YHDQ-J454-100A	100A	260	80	112	220	243	90	6.5	M6	A	45KW
YHDQ-J454-130A	130A	270	150	100	240	253	70	6.5	M10	B	55KW
YHDQ-J454-150A	150A	270	150	100	240	253	70	6.5	M10	B	75KW
YHDQ-J454-180A	180A	270	150	100	240	253	70	6.5	M10	B	90KW

备注:

- 1、表中所列尺寸为公司常用规格尺寸，其他规格尺寸均可按照客户要求生产；
- 2、表中数据若有更改恕不另行通知；
- 3、可提供整机EMC整改测试方案和技术支持。

REMARKS:

- 1.The dimension on the above chart is our common specifications, we can produce as customer's requests.
- 2.The datas are subject to change without notice.
- 3.We can recommend the selection and provide the EMC rectification test solutions and technical supports.

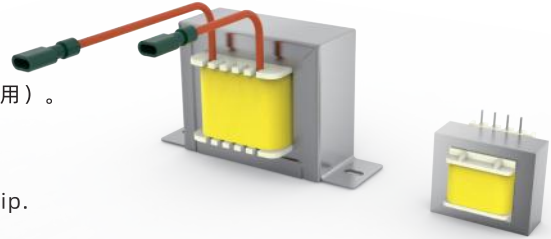
单相电抗器系列

Single-phase Reactor Series

5.F.DK.XXXX

特点与用途

- ◆ Ei叠层铁芯，使用氩弧焊接或骑马夹固定；
- ◆ 体积小紧凑、低噪声、温升低；
- ◆ 高效抑制或补偿谐波电流，提高PFC功率因素；
- ◆ 广泛应用于家用电器、健身和跑步机设备等（可与EMI滤波器组合使用）。



Features & Applications

- ◆ Ei laminated core and fixed by argon arc welding or riding clip.
- ◆ Small product size, low sound, low temperature rise.
- ◆ Efficiently suppress or compensate harmonic currents and increase PFC power factor.
- ◆ Widely applied in home appliances, fitness and treadmill equipment (can be combined with EMI filters).

技术参数

Technical Parameter

电感量 Inductance	1mH~15mH
电 流 Current	1A~15A
材料等级 Class of material	130°C
电路图 Circuit diagram	

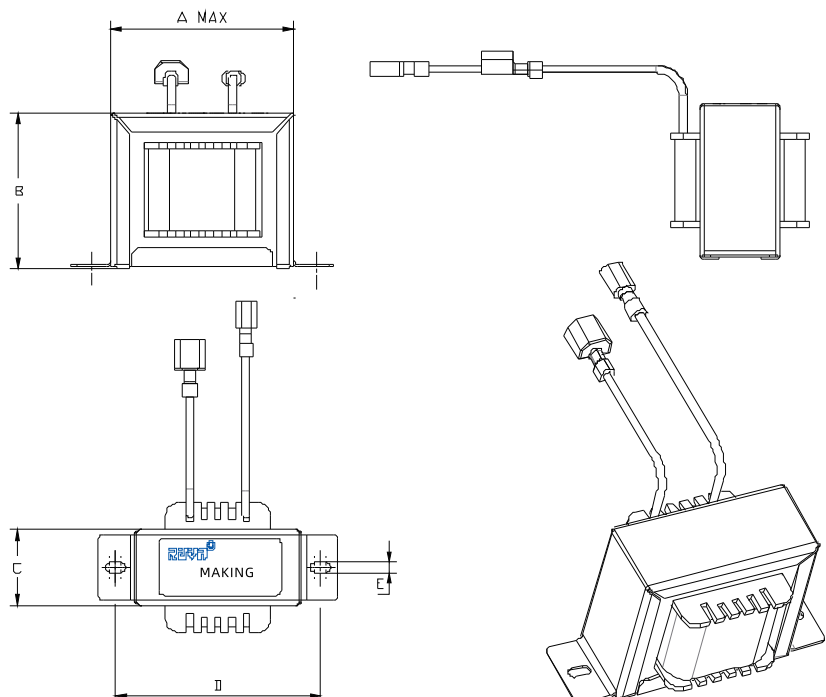
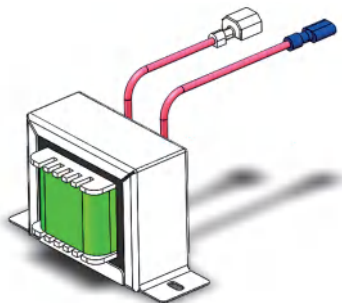
铁芯尺寸 Size of metal core	见规格表 See the size table
工作频率 Operating frequency	50/60Hz

注：带*型号为氩弧焊结构，没有骑马夹。
Remark: The model marked with "*" is argon arc welded structure and without riding clip.

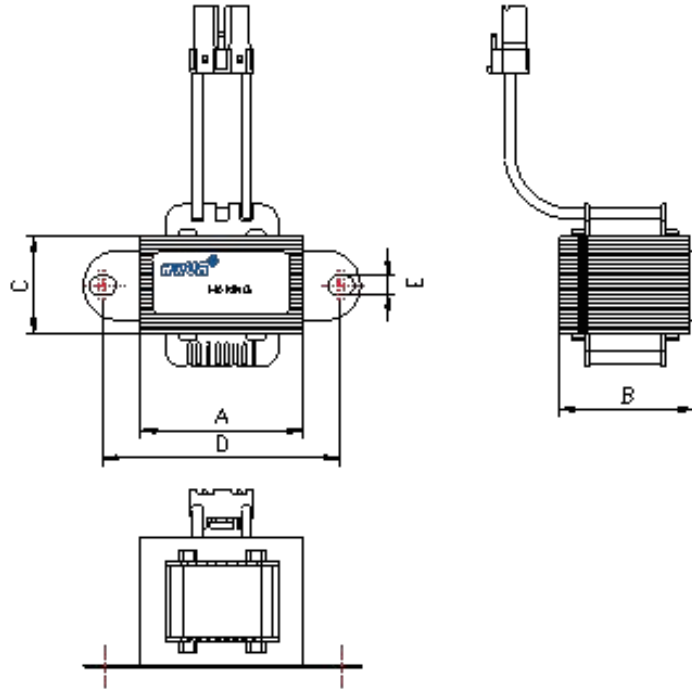
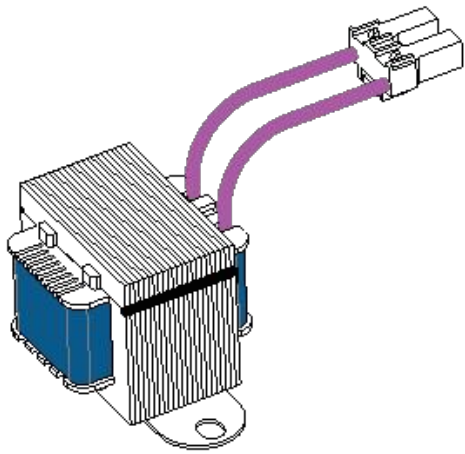
外形图

Outline Drawing

- 类型 A
Type A



● 类型 B
Type B



常用规格 Specification

常用型号 Common Type	类型 Type	硅钢片 Silicon Lamination	电感量 Inductance (mH)	电流 Current (A)	A	B	C	D	E
5.F.DK.0001	A	EI-28	1-3	1-2	32	28	10-20	60	4.8
5.F.DK.0002	A	EI-41	1-5	2-6	45	36	20-30	60	4.8
5.F.DK.0003	A	EI-48	1-5	2-6	52	42	20-30	62	4.8
5.F.DK.0004	A	EI-57	1-8	4-8	61	50	20-30	70	4.8
5.F.DK.0005	A	EI-66	1-8	4-8	70	57	20-32	79	4.8
5.F.DK.0006	A	EI-76	1-10	6-10	80	66	20-35	90	4.8
5.F.DK.0007	B	EI-41	2.5-5	2-6	41	33	20-30	60	5
5.F.DK.0008	B	EI-48	2.5-5	2-8	48	40	21-30	60	5
5.F.DK.0009	B	EI-57	2.5-5	6-10	57	48	20-30	70	5
5.F.DK.0010	B	EI-66	4-8	6-10	66	55	20-32	79	5
5.F.DK.0011	B	EI-76	4-10	6-15	76	64	20-35	90	5

备注:

- 1、表中列尺寸为公司常用规格尺寸，其他规格尺寸均可按照客户要求生产；
- 2、可根据客户要求定制电抗器；
- 3、我司可推荐选型，并提供谐波抑制和处理方案及技术支持。

REMARKS:

- 1.The dimension on the above chart is our common specifications, we can produce as customer's requests.
- 2.The reactor can be customized according to customer's requests.
- 3.We can recommend the selection and provide the harmonic suppression, solutions and technical supports.

家电板载电抗器

On-board Reactors for Home-appliances

特点与用途

- ◆ 铁芯采用无取向性硅钢片,加工简单,性价比高;
- ◆ 整体结构为方形,结构紧凑,外形美观;
- ◆ 噪音小,插针结构便于客户安装使用;
- ◆ 为小家电控制板滤波提高功率因素。

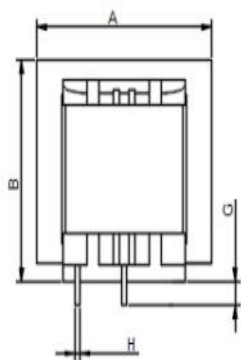
Features & Applications

- ◆ The on-board reactor core of home appliances adopts non-oriented silicon steel sheet, simple processing, cost-effective;
 - ◆ The overall structure is square, compact structure, beautiful appearance;
 - ◆ Low noise, and the pin structure is convenient for customers to install and use;
- It is mainly used as a filter of small household appliance control board to improve power factors.

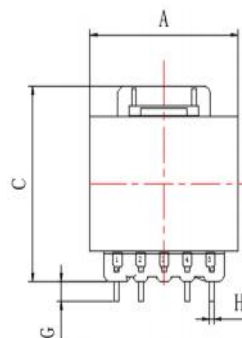
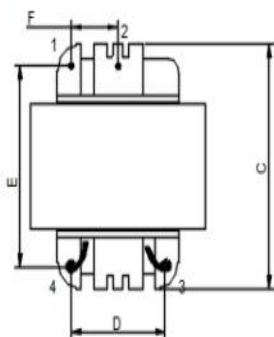


产品尺寸图

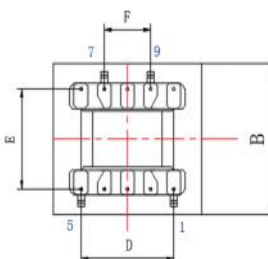
Product dimension drawings



类型 I



类型 II



技术参数

Technical Parameter

工作电压 Operating voltage 100VAC-400VAC

工作频率 Operating Frequency 50/60Hz

绝缘等级 Insulation class CLASS B

工作电流 Operating current 1.3A-5.2A

绝缘电阻 Insulation resistance 1.500V DC 绝缘阻值 \geq 100M Ω

抗电强度 Electrical strength 铁芯-绕组 1000VAC/50Hz/1mA/3S
无飞弧击穿(工厂测试)



常用规格
Common Specification

电抗器型号 Reactor Type	电流 Current (A)	电感(mH) Inductance	外形尺寸(mm) External Dimensions			安装尺寸 (mm) Installation dimensions			针径	类型
			Amax	Bmax	Cmax	D±0.5	E±0.5	F±0.5		
RPJ28-2.5-3.0	2.5	3	29	30	29	15	23	7.5	1	I
RPJ28-2.5-5.0		5	29	30	29	15	23	7.5	1	
RPJ30-2.5-7.0	2.5	7	32	27	33	20	20	10	0.8	II
RPJ41-2.5-9.0		9	43	37	37	25	24.8	15	0.8	
RPJ41-2.5-11		11	43	37	37	25	24.8	15	0.8	
RPJ41-2.5-13		13	43	37	37	25	24.8	15	0.8	
RPJ41-2.5-15		15	43	37	37	25	24.8	15	0.8	

备注：

具体尺寸，可根据客户要求制造

REMARKS

Specific dimensions, can be manufactured according to customer requirements

冰箱电抗器

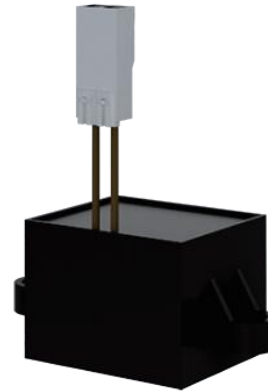
Reactor for Refrigerator

特点与用途

- ◆ 铁芯采用无取向性硅钢片,环氧灌注,性价比高;
- ◆ 整体结构为方形,结构紧凑,外形美观;
- ◆ 噪音小,满足盐雾要求;
- ◆ 连接器结构便于客户安装使用,主要是作为家电滤波提高 功率因素使用.

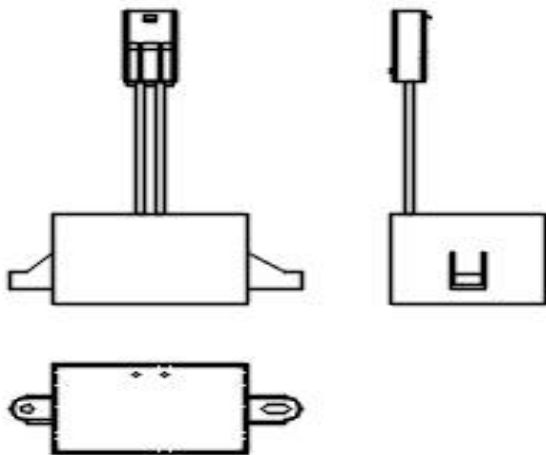
Features & Applications

- ◆ The on-board reactor core of home appliances adopts non-oriented silicon steel sheet, simple processing, cost-effective;
- ◆ The overall structure is square, compact structure, beautiful appearance;
- ◆ Low noise, and the pin structure is convenient for customers to install and use;
- ◆ The connector structure is convenient for customers to install and use. It is mainly used as a filter for home appliances to improve the power factor.



产品尺寸图

Product dimension drawings



技术参数

Technical Parameter

工作电压 Operating voltage 100VAC-400VAC

工作频率 Operating Frequency 50/60Hz

绝缘等级 Insulation class CLASS B

工作电流 Operating current 1.3A-5.2A

绝缘电阻 Insulation resistance 1.500V DC 绝缘阻值 \geq 100M Ω

抗电强调 Electrical strength 铁芯-绕组 1500VAC/50Hz/1mA/3S
无飞弧击穿(工厂测试)



常用规格
Common Specification

电抗器型号 Reactor Type	电流 Current (A)	电感(mH) Inductance	外形尺寸(mm) External Dimensions			安装尺寸 (mm) Installation dimensions			针径	类型
			Amax	Bmax	Cmax	D±0.5	E±0.5	F±0.5		
RPJ28-2.5-3.0	2.5	3	29	30	29	15	23	7.5	1	I
RPJ28-2.5-5.0		5	29	30	29	15	23	7.5	1	
RPJ30-2.5-7.0		7	32	27	33	20	20	10	0.8	II
RPJ41-2.5-9.0		9	43	37	37	25	24.8	15	0.8	
RPJ41-2.5-11		11	43	37	37	25	24.8	15	0.8	
RPJ41-2.5-13		13	43	37	37	25	24.8	15	0.8	
RPJ41-2.5-15		15	43	37	37	25	24.8	15	0.8	

备注：

具体尺寸，可根据客户要求制造

REMARKS

Specific dimensions, can be manufactured according to customer requirements

变频空调电抗器

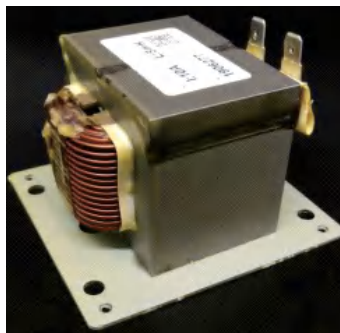
Reactor for Inverter Air-conditioner

特点与用途

- ◆ 主要用于变频空调中的PFC电路，起到滤除高次谐波，提高功率因数的作用。

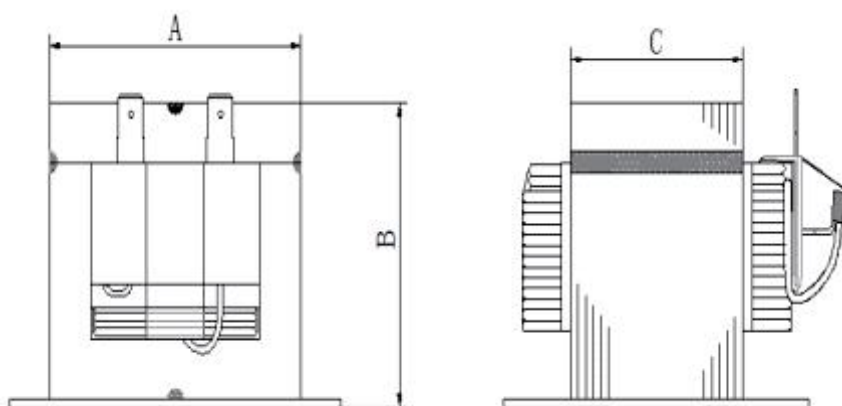
Features & Applications

- ◆ It is mainly used for PFC circuit in inverter air conditioner to filter out high-order harmonics and improve power factor.



产品尺寸图

Product dimension drawings



技术参数

Technical Parameter

工作电压 Operating voltage	100VAC-400VAC	工作电流 Operating current	3A-70A
工作频率 Operating Frequency	50/60Hz	绝缘电阻 Insulation resistance	1.500V DC 绝缘阻值 \geq 100M Ω
绝缘等级 Insulation class	CLASS H	抗电强度 Electrical strength	1.铁芯-绕组 3000VAC/50Hz/1mA/3S 无飞弧击穿(工厂测试)
噪音 Noises	\leq 40dB	防护等级 Protection class	Ip00
温升 Temperature rise	\leq 140K		

常用规格
Common Specification

型号 Reactor	电流 Rated	电感 Inductanc	阻抗电压 Impedanc	尺寸 Dimensi	尺寸 Dimensi	尺寸 Dimensi	线材 Wire
R0805	8	5	12.56	48	41.5	35	AL
R1003	10	3	9.42	48	41.5	40	AL
R1203	12	3	11.3	57	49	32	AL
R1005	10	5	15.7	60	51.5	35	AL
R2001	20	1	6.28	66	56.5	19	AL
R1205	12	5	18.84	66	56.5	35	AL
R1505	15	5	23.55	66	56.5	45	AL
R3001	30	1	9.42	76.2	65	29	Cu
R1635	16	3.5	17.58	76.2	65	30	AL
R4001	40	1	12.56	76.2	65	39	Cu
R1605	16	5	25.12	76.2	65	40	AL
R1010	10	10	31.40	76.2	65	40	AL
R1210	12	10	37.68	76.2	65	49	AL
R2203	22	3	20.72	76.2	65	52	AL
R20035	22	3.5	21.98	76.2	65	50	AL
R2052	20	5.2	32.66	85.8	73	46	AL
R1510	15	10	47.10	85.8	73	46	Cu
R35188	35	1.88	20.66	85.8	73	48	AL
R3003	30	3	28.26	85.8	73	54	Cu
R4002	40	2	25.12	85.8	73	63	Cu
R4003	40	3	37.68	85.8	73	63	Cu
R1230	12	30	113.04	85.8	73	75	Cu
R5002	50	2	31.40	85.8	73	78	Cu
R3005	30	5	47.10	90	76.5	70	Cu
R4002	40	2	25.12	96	81.5	45	AL
R2505	25	5	39.25	96	81.5	48	AL
R4003	40	3	37.68	96	81.5	63	Cu

备注:

具体尺寸, 可根据客户要求制造

REMARKS

Specific dimensions, can be manufactured according to customer requirements

线圈系列

Coil Series

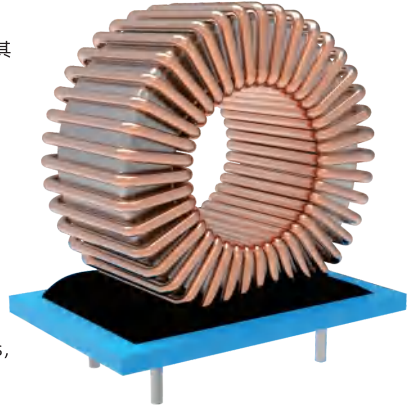
5.F.XQ.XXXX

特点与用途

- ◆ 共模电感、差模电感、功率电感；
- ◆ 采用锰锌、镍锌、铁粉芯、铁硅铝、非晶等材质；
- ◆ 各种结构尺寸、脚距、排距、底座尺寸可根据客户需求进行定制；
- ◆ 广泛应用于开关电源、整流器、晶闸管控制电路、输出扼流和EMI/RFI扼流圈、滤波器及其他线路板产品。

Features & Applications

- ◆ Common mode inductors, differential mode inductors, power inductors.
- ◆ Use manganese-zinc, nickel-zinc, iron powder core, sendust, amorphous and other materials.
- ◆ Various structure and sizes, foot pitches, row pitches, and base sizes can be customized according to customer needs).
- ◆ It is widely used in switching power supplies, rectifiers, thyristor control circuits, output chokes and EMI/RFI chokes, filters and other circuit board products.



技术参数

Technical Parameter

额定电流 Rated current 1 ~ 40A

绝缘等级 Insulation Class ≥B级(class) (130°C)

绝缘电阻

Insulation resistance

绕组-绕组 (Winding-Winding) ≥100MΩ@500VDC

绕组-外壳 (Winding-Casing) ≥100MΩ@500VDC

高压测试

High-voltage test

绕组-绕组 (Winding-Winding) 1500VAC/1min

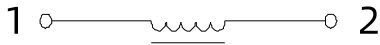
绕组-外壳 (Winding-Casing) 2000VAC/1min

电路原理图

Circuit Schematic

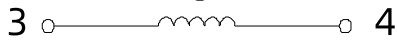
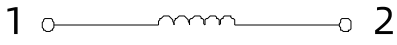
1. 差模线圈

Differential Mode Coil



2. 单相共模线圈

Single-phase Common Mode Coil



3. 三相三线共模线圈

Three-phase Three-wire Common Mode Coil



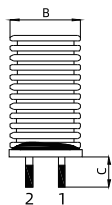
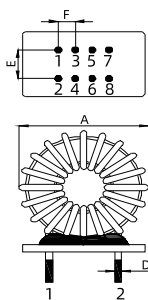
4. 三相四线共模线圈

Three-phase Four-wire Common Mode Coil

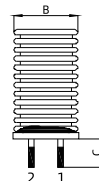
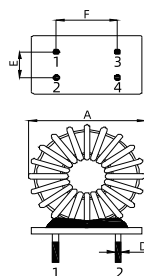


外形图 Outline Drawing

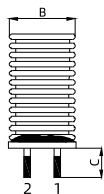
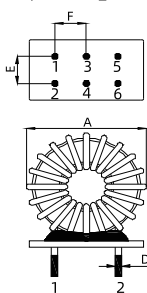
● 类型 A
Type A



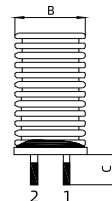
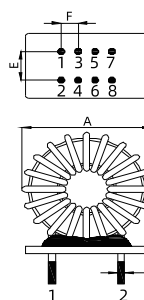
● 类型 B
Type B



● 类型 C
Type C



● 类型 C
Type C



常用规格 Specification

磁环电感型号 Magnetic ring inductance model	电感值 Inductance Value	A(mm)	B(mm)	工作频率 Working Frequency	目录 List
T8*4*3	0.2mH-1.0mH	12	7	10KHZ-10MHZ	数据更新中 Data updating
T9*5*3	0.8mH-3.0mH	13	7	10KHZ-10MHZ	
T10*6*5	0.8mH-3.1mH	14	9	10KHZ-10MHZ	
T12*6*4	1.5mH-4.0mH	16	8.5	10KHZ-10MHZ	
T14*9*5	1.5mH-4.5mH	18	10	10KHZ-10MHZ	
T16*9*5	1.8mH-5.0mH	20	10	10KHZ-10MHZ	
T18*10*8	2.5mH-6.0mH	23	13	10KHZ-10MHZ	
T20*10*10	3.0mH-10.0mH	24	15	10KHZ-10MHZ	
T22*14*8	3.5mH-12.0mH	26	13	10KHZ-10MHZ	
T25*15*10	5.0mH-20.0mH	30	15	10KHZ-10MHZ	
T25*15*13	5.0mH-25.0mH	30	18	10KHZ-10MHZ	
T31*19*13	3.0mH-25.0mH	36	18	10KHZ-10MHZ	
T38*19*13	3.0mH-25.0mH	44	18	10KHZ-10MHZ	
T48*30*15	10.0mH-30.0mH	54	20	10KHZ-10MHZ	
T78*50*16	10.0mH-50.0mH	88	25	10KHZ-10MHZ	
T85*55*25	10.2mH-50.0mH	96	40	10KHZ-10MHZ	
T102*65*20	10.2mH-50.0mH	115	40	10KHZ-10MHZ	

备注:

- 1、表中所列尺寸为公司常用规格尺寸，其他规格尺寸均可按照客户要求生产；
- 2、可根据客户要求定制电抗器；
- 3、我司可推荐选型，并提供谐波抑制和处理方案及技术支持。

REMARKS:

- 1.The dimension on the above chart is our common specifications, we can produce as customer's requests.
- 2.The reactor can be customized according to customer's requests.
- 3.We can recommend the selection and provide the harmonic suppression, solutions and technical supports.

企业文化

Corporate Culture



裕
华
电
器

企业目标 Business Goals

成为国内薄膜电容器和滤波器行业领军品牌

成为国际薄膜电容器和滤波器行业一流品牌

To be the leading brand in the film capacitor and filter industry at home and abroad

品牌主张 Brand Philosophy

质量是企业大厦根基

顾客是企业生命源泉

Quality is the foundation of the company

Customers are the lifeline of the company

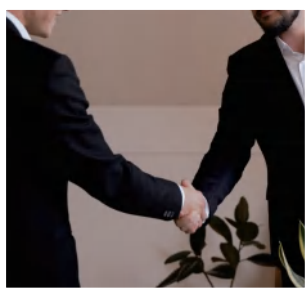


服务中心

Service Centre

如果您需要我们的产品或者想了解更多，请您联系我们，我们将诚心诚意为您提供专业、优质的服务。

For more information you need, please contact to us. We will provide the professional and excellent services to you sincerely.



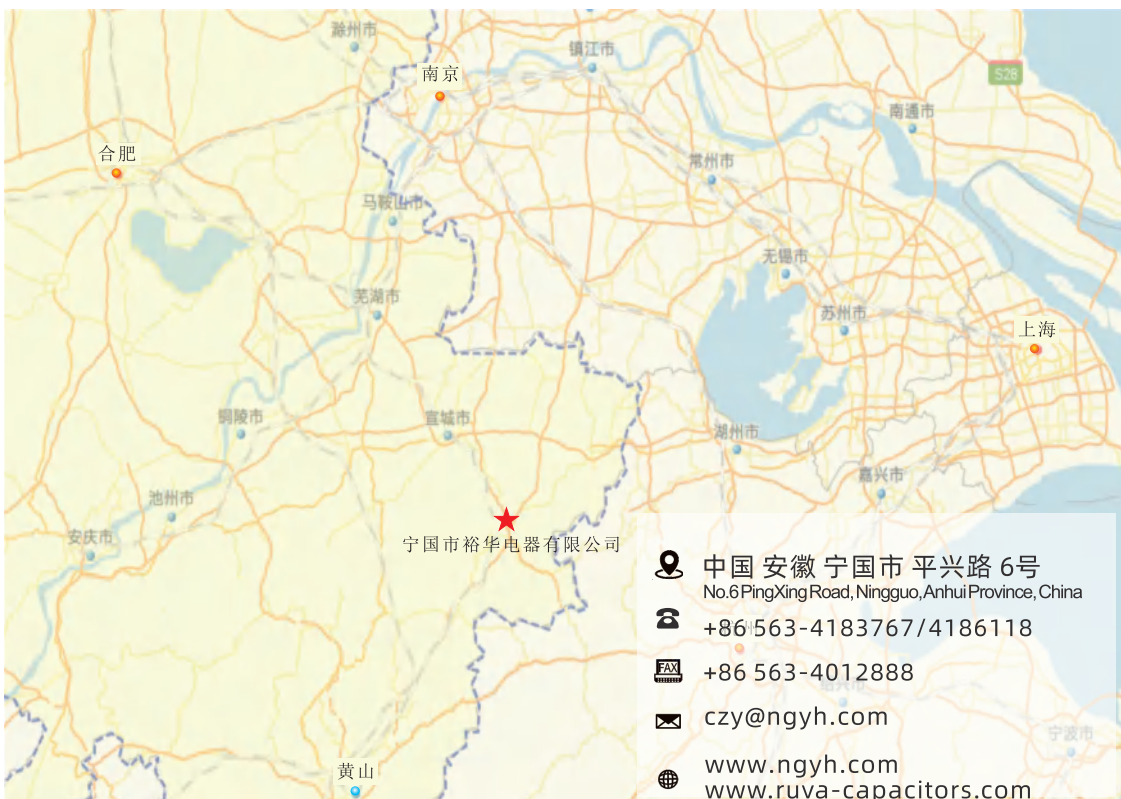
诚信合作
Collaboration



以人为本
people oriented



共享双赢
Win-Win



YUWA



宁国市裕华电器有限公司
Ningguo Yuhua Electrical Products Co., LTD

RUVA[®]



- 中国 安徽 宁国市 平兴路 6号
No.6 PingXing Road, Ningguo, Anhui Province, China
- +86 563-4183767/4186118
- czy@ngyh.com
- www.ngyh.com
- www.ruva-capacitors.com

* 注：本资料经过仔细核对力求准确，若有任何错漏产生之误差，尤其是文本涉及型号、功能、参数请以具体产品铭牌为准！
* Note: This information is carefully compiled and reviewed to ensure accuracy. If any errors caused, especially to the model, function, parameter, please refer to the specific product label.

版本Edition: 2024版