



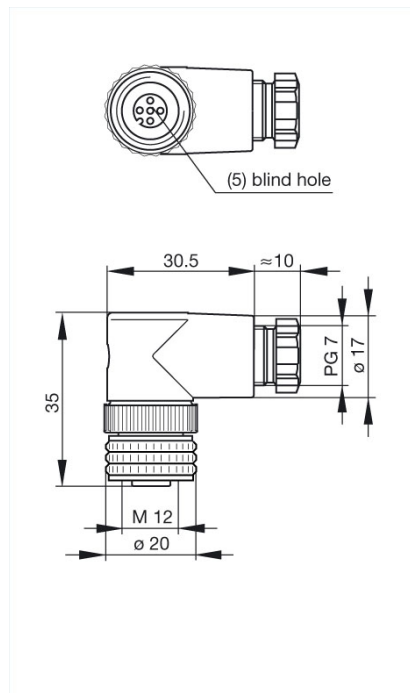
ELWIKA 4012 PG7 transparent/ topas

Industrial Connectors: Circular Connectors E-series M12/FIXCON: with screw locking: Angled cable socket, self-assembled

Product description

Description	Angled cable socket, unassembled, strain relief by means of clamping cage, electronic insert (LED display) may be fitted
Type	ELWIKA 4012 PG7 transparent/ topas
Order No.	933 173-199
Type of contact	female
Number of contacts	4
Cable gland	PG 7
Standard	IEC 61076-2-101 (Ed. 1)/ IEC 60947-5-2
Housing Color	transparent

Drawing



Technical data

Rated voltage	AC/DC 250 V
Rated current	4 A
Type of termination	screw
Suitable cables	diameter 4 mm to 6 mm, max. 0.75 mm ²

Material

Contact material	Cu Zn
Contact surface material	Sn

Contact bearer material	PA
Housing material	PA
Coupling nut material	Zn Al/Ni
O-Ring	NBR
Environmental conditions	
Protection class (IEC 60529)	IP 67
Pollution severity	3
Temperature range	-25 °C to +90 °C
Inflammability class	
Housing	94 V-2
Contact bearer	94 V-2
Packing unit	
Packaging unit	100 pieces
Scope of delivery and accessories	
Accessories to order separately	protective cap M12 VS, order no. 734 209-100; Leuchtdiodeneinsatz E 2 LED PNP, order no. 933 405-001