









Accessories

Encoder mounting attachments		Fixing components for shaft encoders				Overview					
Overview		Description	Order No.	Details s.page	Incremental Encoders			Abs. Singleturn Encoders		Abs. Multiturn Encoders	
Fig.	5000				5803, 5804, 5805	7000	5853, 5858	5850, 5852	7053, 7058	5863, 5868	F5863, F5868
	Flange, square Suitable for shaft encoders with clamping flange □ 58.0 [2.28"] 4 [0.16"] thick □ 63.5 [2.5"] 3 [0.12"] thick □ 70.0 [2.76"] 10 [0.39"] thick □ 80.0 [3.15"] 4 [0.16"] thick	8.0010.2100.0000 8.0010.2120.0000 8.0010.2600.0000 8.0010.2800.0000	428 428 428 428	X X X X X X X X	X X X X X X X X	X X X X X X X X	X X X X X X X X	X X X X X X X X	X X X X X X X X		
	Flange ø 65 mm [2.56"] With this adapter flange, Kübler encoders with size 58 mm [2.28"] can replace encoders with diameter 65 mm [2.56"] and pitch circle diameter 48 mm [1.89"]	8.0010.2230.0000	429	X X	X X	X X	X X	X X	X X		
	Flange, ø 115 mm [4.53"] Euroflange	8.0010.2160.0000 8.0010.2170.0000	429	X X	X X	X	X X	X X	X X		
	Flange, ø 58 mm [2.28"] Converts encoders with a clamping flange into synchro flange.	8.0010.2180.0000	429	X X	X X	X X	X X	X X	X X		
	Flange, ø 90 mm [3.54"] Mechanically compatible with former encoder Type 9000	8.0010.2270.0000	430	X X	X X	X X	X X	X X	X X		
	Angular flange 80 mm x 80 mm x 40 mm [3.15" x 3.15" x 1.57"]	8.0010.2300.0000	430	X X	X X	X X	X X	X X	X X		
	Assembly bell Electrical and thermal isolation by means of glass fibre reinforced plastic and isolating spring washer coupling – supplied as complete set	8.0000.4500.XXYY	431	X X	X X	X X	X X	X X	X X		
	Fastening eccentrics For shaft encoders with synchronous flange. Use at least three fastening eccentrics to mount the encoder.	8.0010.4200.0000 8.0010.4100.0000	432	see table page 432							

Accessories

Encoder mounting attachments

Fixing components for shaft encoders

Details

Dimensions / Details

Dimensions in mm [inch]

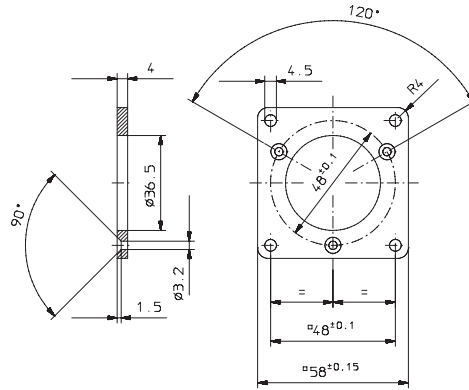
Flange, square

Scope of delivery:

- flange (aluminium)
- 3 screws for fixing to the encoder

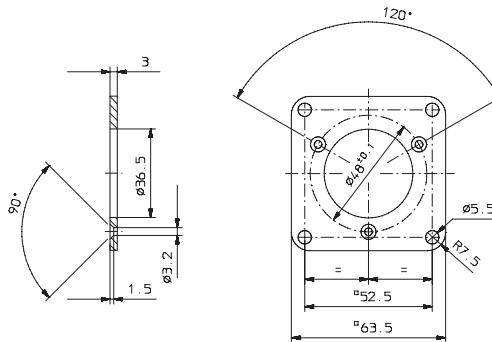
Connection to application:

- 4 screws (not supplied)



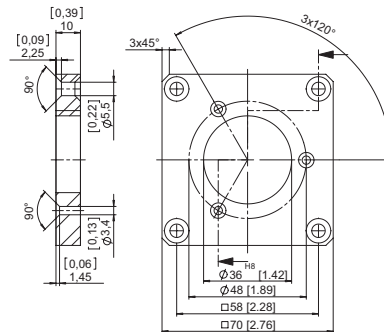
Order No.

8.0010.2100.0000



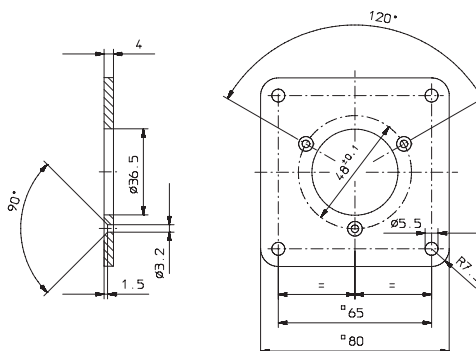
Order No.

8.0010.2120.0000



Order No.

8.0010.2600.0000



Order No.

8.0010.2800.0000

Accessories

Encoder mounting attachments Fixing components for shaft encoders Details

Dimensions / Details

Dimensions in mm [inch]

Flange, ø 65 [2.56]

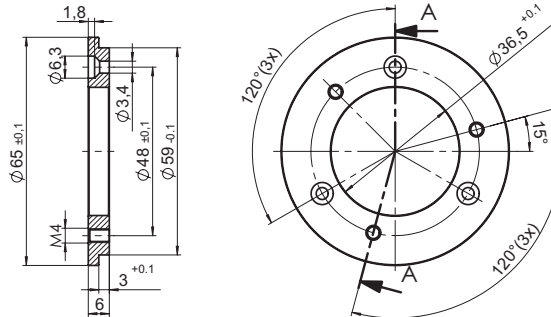
With this adapter flange, Kübler encoders with size 58 [2.28] can replace encoders with diameter 65 [2.56] and pitch circle diameter 48 [1.89].

Scope of delivery:

- flange (aluminium)
- 3 screws for fixing to the encoder

Connection to application:

- 3 screws (not supplied)



Order No.

8.0010.2230.0000

Flange, ø 115 [4.53], Euroflange (Euro REO 444)

Scope of delivery:

- flange (aluminium)
- 3 screws for encoder mounting

Connection to application:

- 6 screws (not supplied)

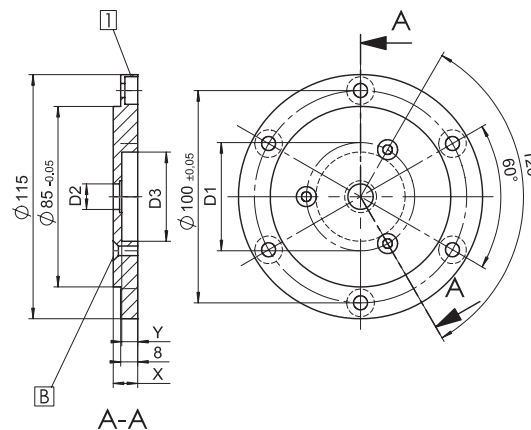


encoder type	D1	D2	D3	X	Y	B
580X/5000	48 [1.89]	36 [1.42]	58 [2.28]	11 [0.43]	1 [0.039]	DIN 74-BM3
70XX	51 [2.01]	12 [0.47]	42 [1.65]	11.5 [0.45]	7.5 [0.30]	DIN 74-BM4

Order No.

8.0010.2160.0000

8.0010.2170.0000



1 countersunk DIN 74-Hm6

B see table

Flange, ø 58 [2.28]

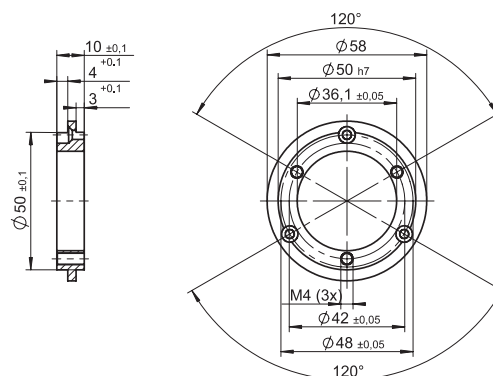
Converts encoders with a clamping flange into synchro flange.

Scope of delivery:

- flange (aluminium)
- 3 screws for encoder mounting

Connection to application:

- 3 screws (not supplied)



Order No.

8.0010.2180.0000

Encoder mounting attachments	Fixing components for shaft encoders	Details
-------------------------------------	---	----------------

Dimensions / Details

Dimensions in mm [inch]

Flange, $\varnothing 90$ [3.54]

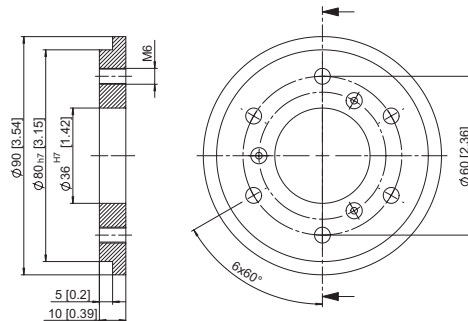
Mechanically compatible with former encoder Type 9000

Scope of delivery:

- flange
- 3 screws for encoder mounting

Connection to application:

- 6 screws (not supplied)



Order No.

8.0010.2270.0000

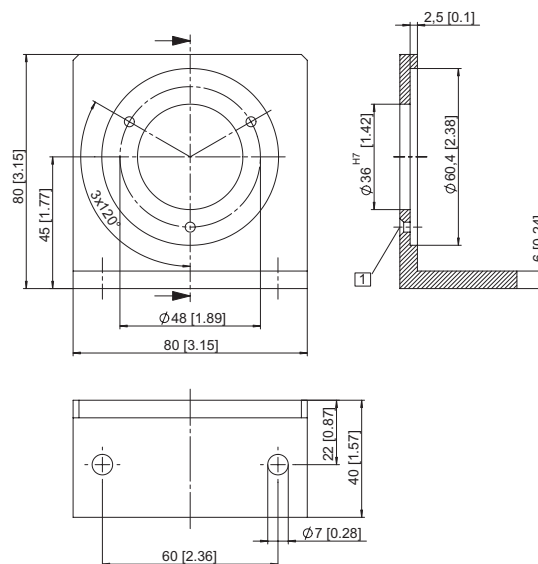
Angular flange

Scope of delivery:

- angular flange (aluminium)
- 3 screws for encoder mounting

Connection to application:

- 2 screws (not supplied)



Order No.

8.0010.2300.0000

1 countersunk DIN 74-Hm6

Accessories

Encoder mounting attachments	Fixing components for shaft encoders	Details
------------------------------	--------------------------------------	---------

Dimensions / Details

Dimensions in mm [inch]

Fastening eccentrics for encoders with synchro flange

- Suitable for Kübler encoders with synchro flange
- Material ACu Zn 39 Pb 3
- Surface finish: galvanised Ni

Scope of delivery:

- 3 eccentrics
- 3 screws

(Use at least three fastening eccentrics to mount the encoder)

<i>encoder type</i>	<i>D1</i>	<i>D2</i>	<i>D3</i>	<i>A</i>	<i>B</i>	<i>C</i>
3610 3651 M3658 F3653 / F3658 F3663 / F3668	6.8 [0.27]	5 [0.20]	2.8 [0.11]	3.5 [0.14]	2.25 [0.09]	0.9 [0.035]
5000 5803 / 5804 / 5805 5853 / 5858 5863 / 5868 F5863 / F5868 5850 / 5852 7053 / 7058 7063 / 7068	9.6 [0.38]	6.5 [0.26]	3.2 [0.13]	5.6 [0.22]	2.9 [0.11]	1.2 [0.047]

<i>Order No.</i>
8.0010.4200.0000
8.0010.4100.0000

