




# Accessories

## Overview

Adapter front bezel							counter 48 x 24 mm						counter 48 x 48 mm				counter 96 x 48 mm		
Figure	Size	for cut-out	to cut-out	Order-No.:	Details s. page	Codix 13x	Codix 14x	Codix 52x	Codix 53x	W 1x.5	H 37, H 37.5	Codix 71x	Codix 90x, 92x	901	H 57, HC 77, HW 66	Codix 54x	Codix 56x	Codix 57x	
	<b>53 x 28 mm</b>	50 x 25 mm	45 x 22.2 mm	grey black anthracite	<b>T008164</b> <b>T008165</b> <b>T008180</b>	<b>306</b>	X	X	X	X	X	X							
	<b>56 x 40 mm</b>	50 x 25 mm	45 x 22.2 mm	black anthracite	<b>T008161</b> <b>T008181</b>	<b>306</b>	X	X	X	X	X	X							
	<b>72 x 36 mm</b>	68 x 33 mm	45 x 22.2 mm	black and silver anodised as set	<b>162704 Set</b>	<b>306</b>	X	X	X	X	X	X							
	<b>60 x 50 mm</b>	54 x 29 mm	45 x 22.2 mm	black	<b>N003001</b>	<b>307</b>	X	X	X	X	X	X							
	<b>48 x 48 mm</b>	45 x 45 mm	45 x 22.2 mm	black	<b>T008883</b>	<b>307</b>	X	X	X	X	X	X							
	<b>55 x 55 mm</b>	50 x 50 mm or ø 50.5 mm	45 x 45 mm	grey black	<b>T008170</b> <b>T008171</b>	<b>307</b>							X		X				
	<b>55 x 55 mm</b>	50 x 50 mm	45 x 45 mm	black	<b>T008853</b>	<b>307</b>							X	X	X	X			
	<b>60 x 75 mm</b>	50 x 50 mm	45 x 45 mm	black	<b>T008860</b>	<b>308</b>							X	X	X	X			
	<b>72 x 72 mm</b>	68 x 68 mm	45 x 45 mm	grey black mating clip	<b>T008176</b> <b>T008177</b> <b>T009420</b>	<b>308</b>							X	X	X	X			
	<b>ø 72 mm</b>	ø 60 mm	45 x 45 mm	black	<b>N510226</b>	<b>308</b>							X	X	X	X			

# Accessories

## Overview

Sealing cover					for electromechanical counters						for counters 48 x 24 mm <sup>1)</sup>				for counters 48 x 48 mm <sup>2)</sup>		
Figure	Type	Description	Order-No.:	Details s. page	B 1x.3x	HB 2x.3x	BVa 15.3x	HVa 15.3x	MVs 16.3x	MVs 13.1x	Codix 13x, 14x	Codix 52x, 53x	W 1x.5	H 37, H 37.5	Codix 71x	Codix 90x, 92x	901
	K1	for front bezel 60 x 50 mm	transparent / grey transparent / black	G008300 G008301	309	X	X				X	X	X	X			
	K2	for front bezel 75 x 60 mm	transparent / grey transparent / black	G008302 G008303	309			X	X	X					X	X	X
	KV3	for front bezel 39 x 68 mm	transparent / grey transparent / black	G008310 G008311	309					X							

1) via adapter front bezel N003001

2) via adapter front bezel T008860

# Accessories

## Overview




Transparent cover					for electromechanical counters				for counters 48 x 24 mm <sup>1)</sup>			for counters 48 x 48 mm						
Figure	Type	Description	Order-No.:	Details s. page	Dv B 1x, Dv HB 2x	Dvs B 1x, Dvs HB 2x	Dv BVa 15, Dv HVa 15, Dv MVs 16	Dvs BVa 15, Dvs HVa 15, Dvs MVs 16	B 1x.3x, HB 2x.3x	B 1x.0x, HB 2x.0x	Codix 13x, 14x	Codix 52x, 53x	W 1x, 5	H 37, H 37.5	Codix 71x	Codix 90x, 92x	901	H 57, HC 77, HW 66
	1 Dv (replacement part)	lockable cover, IP65 for size F1	transparent	G008121	310	X												
	1 Dvs (replacement part)	key lockable cover, IP65 for size F1	transparent	G008131	310	X												
	2 Dv (replacement part)	lockable cover, IP65 for size F2	transparent	G008141	310		X											
	2 Dvs (replacement part)	key lockable cover, IP65 for size F2	transparent	G008151	311			X										
	2 Dv (mounted on bezel)	lockable cover, IP65 for cut-out 50 x 50 mm	transparent / black	G008143	311										X	X	X	X
	2 Dvs (mounted on bezel)	key lockable cover, IP65 for cut-out 50 x 50 mm	transparent / black	G008153	311										X	X	X	X
	1 Dv (mounted on bezel)	lockable cover, IP65 for cut-out 54 x 29 mm	transparent / black	N003002	312				X	X <sup>2)</sup>	X	X	X	X				



2) with front bezel F1B

1) with adapter front bezel N003001

# Accessories




## Overview

Socket boxes					for electromechanical counters				
Figure	Type	Description	Order-No.:	Details s. page	B 1x.0x, HB 2x.0x	MVs 16.0	BVa 15, HVa 15		
	945.2	for plug-in connection in front bezel F1B	black G008434	313	X				
	926.1	for plug-in connection in front bezel F2M	transparent G008433	314		X			
	946.1	for plug-in connection in front bezel F2B	black G008439	314			X		




Front bezel					for electromechanical counters				
Figure	Type	Description	Order-No.:	Details s. page	B 1x.0x, HB 2x.0x (in socket box type 945.2)	BVa 15.0x (in socket box type 946.1)	2 x B or HB counters (in 2x socket box 945.2)	MVs 16.0x (in socket box type 926.1)	
	F1B	for cut-out 54 x 49 mm	beige black G007501 G007502	315	X				
	F2B	for cut-out 54 x 54 mm	beige black G007503 G007504	315		X	X		

# Accessories

## Overview



Mounting frame						for electrom. counters			for counters 48 x 24 mm <sup>1)</sup>			for counters 48 x 48 mm		for counters 96 x 48 mm			
Figure	Cut-out	Description	Order-No.:	Details s. page	BVa 15,21, HVa 15,21	MVs 16,2x	B 1x,2x, HB 2x,2x	Codix 13x, 14x	Codix 52x, 53x	W 1x,5	H 37, H 37,5	Codix 71x	Codix 90x, 92x	901	H 57, HC 77, HW 66	Codix 54x, 55x	Codix 56x, 57x
	<b>92 x 45 mm</b>	For snap-on mounting on 35 mm top-hat DIN rail	grey	<b>G300005</b>	<b>316</b>											<b>X</b>	<b>X</b>
	<b>50 x 50 mm</b> (45 x 45 mm via supplied adapter)	For snap-on mounting on 35 mm top-hat DIN rail	chromated	<b>G300003</b>	<b>316</b>	<b>X</b>	<b>X</b>					<b>X</b>	<b>X</b>	<b>X</b>	<b>X</b>		
	<b>50 x 25 mm</b> (45 x 22.2 mm via separate adapter)	For snap-on mounting on 35 mm top-hat DIN rail	chromated	<b>G300004</b>	<b>316</b>			<b>X</b>	<b>X</b>	<b>X</b>	<b>X</b>						





1) via adapter T008180

DIN rail mount					for electrom. counters		
Figure	Type	Description	Order-No.:	Details s. page	B and HB counter	2 x B and HB counter	BVa and HVa counter
	<b>SR 1</b>	For snap-on mounting on 35 mm top-hat DIN rail	<b>G300000</b>	<b>317</b>	<b>X</b>		
	<b>SR 2</b>	For snap-on mounting on 35 mm top-hat DIN rail	<b>G300001</b>	<b>317</b>		<b>X</b>	
	<b>SR 3</b>	For snap-on mounting on 35 mm top-hat DIN rail	<b>G300002</b>	<b>317</b>			<b>X</b>

# Accessories

## Overview

Enclosure blind						for counters 48 x 24 mm				for counters 53 x 28 mm	
Figure	Size	Cut-out	Order-No.:	Details s. page	Codix 13x, 14x	Codix 52x, 53x	W 1x.5	H 37, H 37.5	B and HB counters		
	48 x 24 mm	for cut-out 45 x 22.2 mm and 50 x 25 mm	anthracite <b>G003836</b>	<b>318</b>	X	X	X	X			
	53 x 28 mm	for cut-out 50 x 25 mm	black <b>T005753</b>	<b>318</b>					X		

Other accessories						for counters				
Figure	Description	Order-No.:	Details s. page	H 37	H 57	HR 76.2	HR 47			
	<b>Terminal cover type KA 37</b>	transparent <b>T051687</b>	<b>319</b>	X						
	<b>Base-mount socket</b>	black <b>G008040</b>	<b>319</b>		X					
	<b>Mounting support</b>	black <b>N510199</b>	<b>319</b>			X	X			
	<b>Adapter and anti-vibration set</b>	black <b>255319</b>	<b>320</b>					X		

# Accessories

## Adapter front bezel

## Details

### Dimensions / Details

#### Adapter front bezel, 53 x 28 mm

with clip mounting  
for counters 48 x 24 mm

#### cut-out:

for cut-out 50 x 25 mm  
to cut-out 45 x 22.2 mm

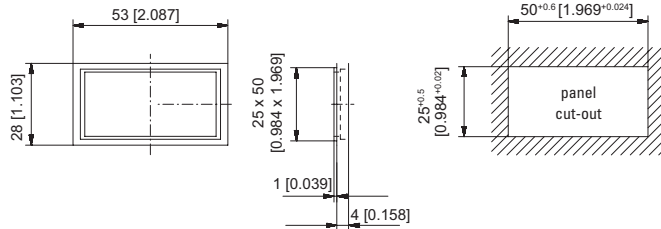
#### suitable for:

Codix 13x, 14x, 52x, 53x,  
W 15.5, W 16.5, W 17.5,  
H 37, H 37.5

grey  
black  
anthracite

#### Order-No.

**T008164**  
**T008165**  
**T008180**



#### Adapter front bezel, 56 x 40 mm

with screw mounting  
for counters 48 x 24 mm

#### cut-out:

for cut-out 50 x 25 mm  
to cut-out 45 x 22.2 mm

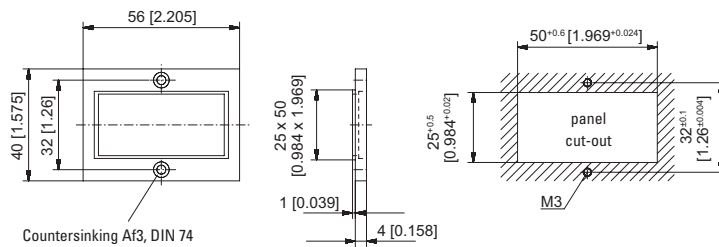
#### suitable for:

Codix 13x, 14x, 52x, 53x,  
W 15.5, W 16.5, W 17.5,  
H 37, H 37.5

black  
anthracite

#### Order-No.

**T008161**  
**T008181**



#### Adapter front bezel, 72 x 36 mm

for counters 48 x 24 mm

#### cut-out:

for cut-out 68 x 33 mm  
to cut-out 45 x 22.2 mm

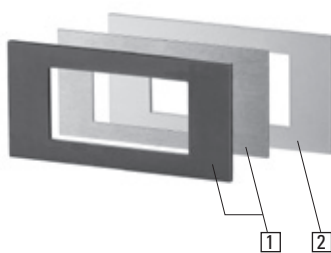
#### suitable for:

Codix 13x, 14x, 52x, 53x,  
W 15.5, W 16.5, W 17.5,  
H 37, H 37.5

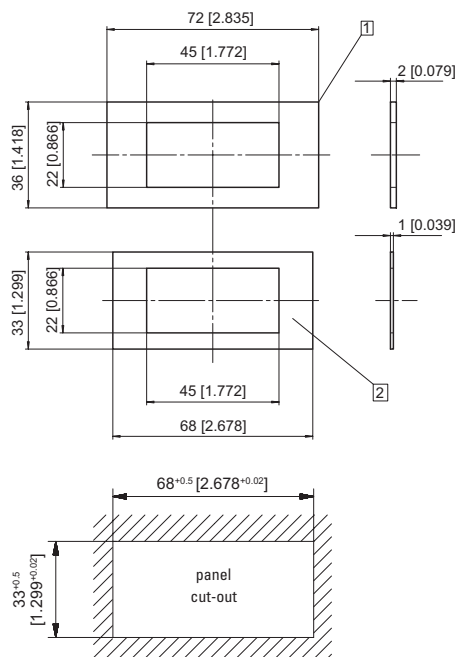
black and  
silver anodised  
as set

#### Order-No.

**162704 Set**



- 1 Front bezel  
(1 x black, 1 x silver anodised)
- 2 Bezel adapter



# Accessories

## Adapter front bezel Details

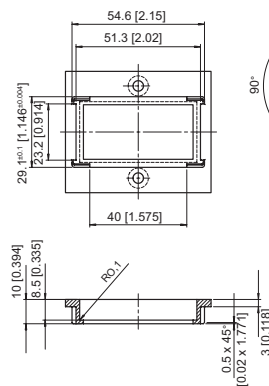
### Dimensions / Details

**Adapter front bezel, 60 x 50 mm**  
with screw mounting, incl. gasket  
for counters 48 x 24 mm



*cut-out:*

for cut-out 54 x 29 mm  
to cut-out 45 x 22.2 mm,



*suitable for:*

Codix 13x, 14x, 52x, 53x, black  
W 15.5, W 16.5, W 17.5,  
H 37, H 37.5

*Order-No.*

**N003001**

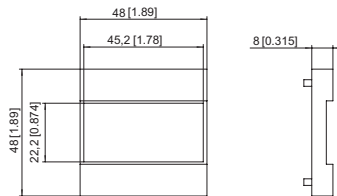
**Adapter front bezel, 48 x 48 mm**

with clip mounting  
for counters 48 x 24 mm



*cut-out:*

for cut-out 45 x 45 mm  
to cut-out 45 x 22.2 mm



*suitable for:*

Codix 13x, 14x, 52x, 53x, black  
W 15.5, W 16.5, W 17.5,  
H 37, H 37.5

*Order-No.*

**T008883**

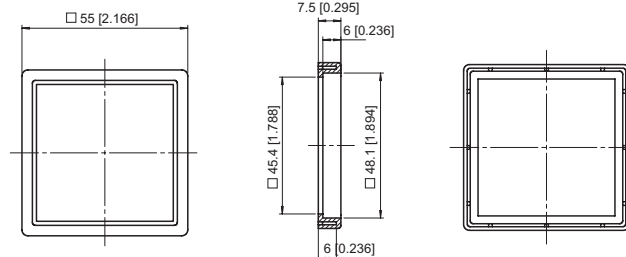
**Adapter front bezel, 55 x 55 mm**

with clip mounting  
for counters 48 x 48 mm



*cut-out:*

for cut-out 50 x 50 mm  
or ø 50.5 mm to  
cut-out 45 x 45 mm



*suitable for:*

Codix 716 / 717, grey  
H 57, HC 77, HW 66, HW 66 M black

*Order-No.*

**T008170**

**T008171**

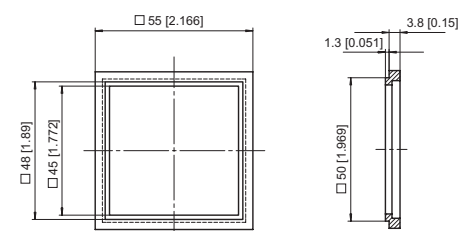
**Adapter front bezel, 55 x 55 mm**

with clip mounting  
for counters 48 x 48 mm



*cut-out:*

for cut-out 50 x 50 mm  
to cut-out 45 x 45 mm



*suitable for:*

901, Codix 716 / 717, black  
Codix 923 / 924, Codix 907 / 908,  
H 57, HC 77, HW 66

*Order-No.*

**T008853**



# Accessories

## Adapter front bezel

## Details

### Dimensions / Details

#### Adapter front bezel, 60 x 75 mm

with screw mounting  
for counters 48 x 48 mm



cut-out:

for cut-out 50 x 50 mm  
to cut-out 45 x 45 mm

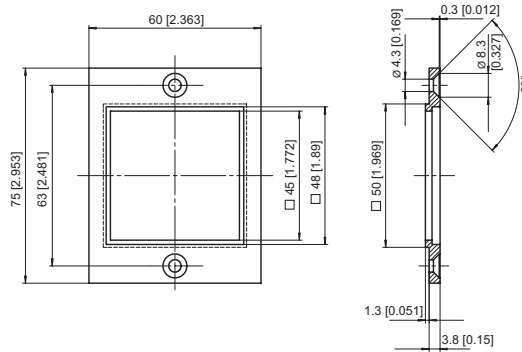
suitable for:

901, Codix 716 / 717,  
Codix 923 / 924, Codix 907 / 908,  
H 57, HC 77, HW 66, HW 66 M

black

Order-No.

**T008860**



#### Adapter front bezel, 72 x 72 mm

with clip mounting  
for counters 48 x 48 mm  
(Mating clip must be ordered separately)



cut-out:

for cut-out 68 x 68 mm  
to cut-out 45 x 45 mm

suitable for:

901, Codix 716 / 717,  
Codix 923 / 924, Codix 907 / 908,  
H 57, HC 77, HW 66, HW 66 M

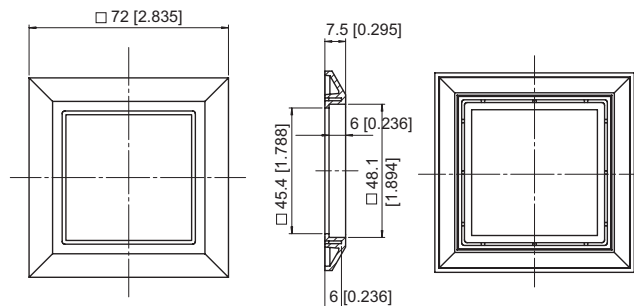
grey  
black  
mating clip

Order-No.

**T008176**

**T008177**

**T009420**



#### Adapter front bezel, ø 72 mm

with clip mounting  
for counters 48 x 48 mm



cut-out:

for cut-out ø 60 mm  
to cut-out 45 x 45 mm

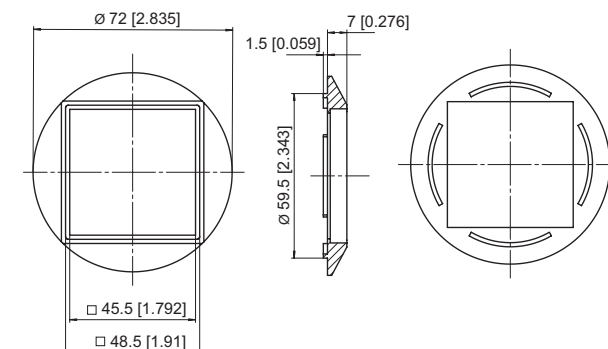
suitable for:

901, Codix 716 / 717,  
Codix 923 / 924, Codix 907 / 908,  
H 57, HC 77, HW 66, HW 66 M

black

Order-No.

**N510226**



# Accessories

## Sealing cover Details

### Dimensions / Details

#### Sealing cover type K1 (screw mounting)

for electromechanical counters  
and via adapter front bezel N003001  
for counters 48 x 24 mm



#### description:

- for front bezel 60 x 50 mm
- flexible sealing cover made of soft PVC, with varnished steel metal frame and fixing screws
- IP65 protection to DIN 40050 when installed

#### suitable for:

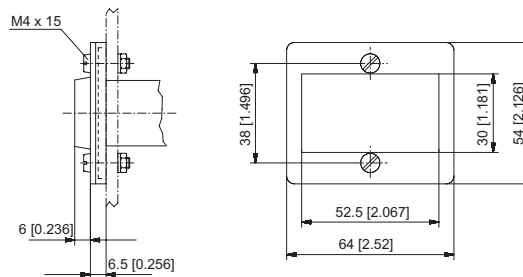
B 1x.3x, HB 2x.3x  
via adapter front bezel:  
Codix 13x, 14x, 52x, 53x,  
W 15.5, W 16.5, W 17.5,  
H 37, H 37.5

transparent /  
grey  
transparent /  
black

#### Order-No.

**G008300**

**G008301**



#### Sealing cover type K2 (screw mounting)

for electromechanical counters  
and via adapter front bezel T008860  
for counters 48 x 48 mm



#### description:

- for front bezel 75 x 60 mm
- flexible sealing cover made of soft PVC, with varnished steel metal frame and fixing screws
- IP65 protection to DIN 40050 when installed

#### suitable for:

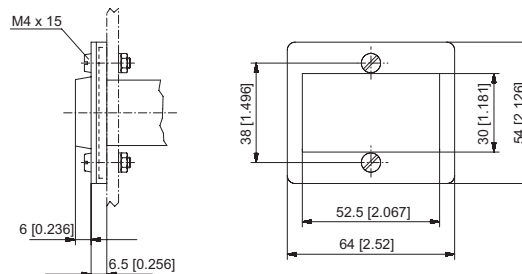
BVa 15.3x, HVa 15.3x,  
MVa 16.3x  
via adapter front bezel:  
Codix 901, Codix 716 /717,  
Codix 923 / 924,  
Codix 907 / 908

transparent /  
grey  
transparent /  
black

#### Order-No.

**G008302**

**G008303**



#### Sealing cover type KV3 (screw mounting)

for electromechanical counters



#### description:

- for front bezel 39 x 68 mm
- flexible sealing cover made of soft PVC, with varnished steel metal frame and fixing screws
- IP65 protection to DIN 40050 when installed

#### suitable for:

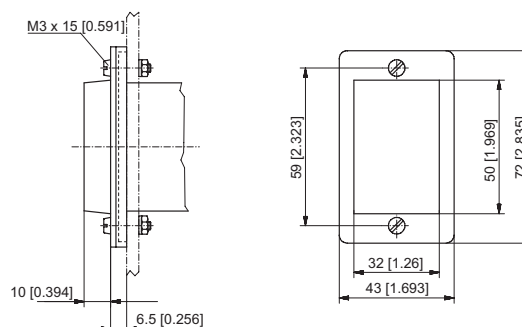
MVs 13.1x

transparent /  
grey  
transparent /  
black

#### Order-No.

**G008310**

**G008311**



# Accessories

## Transparent cover

### Dimensions / Details

**Transparent cover type 1 Dv (replacement part)**  
lockable, IP65

*description:*

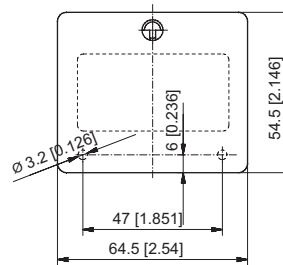
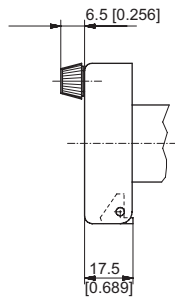
- screw-on, for size F1
- IP65 protection
- with gaskets and screws

*suitable for:*

Dv B 1x, Dv HB 2x      transparent

*Order-No.*

**G008121**



**Transparent cover type 1 Dvs (replacement part)**  
key lockable, IP65

*description:*

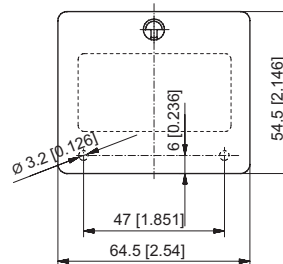
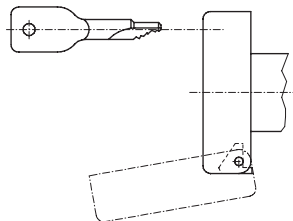
- screw-on, for size F1
- IP65 protection
- with gaskets and screws

*suitable for:*

Dvs B 1x, Dvs HB 2x      transparent

*Order-No.*

**G008131**



**Transparent cover type 2 Dv (replacement part)**  
lockable, IP65

*description:*

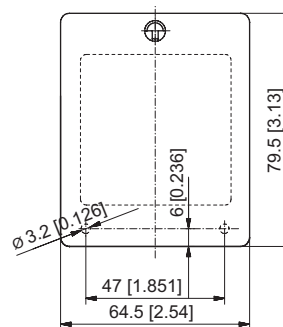
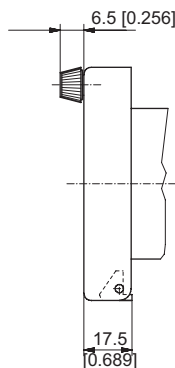
- screw-on, for size F2
- IP65 protection
- with gaskets and screws

*suitable for:*

Dv BVa 15, Dv HVa 15,      transparent  
Dv MVs 16

*Order-No.*

**G008141**



# Accessories

## Transparent cover

### Dimensions / Details

**Transparent cover type 2 Dvs, (replacement part) key lockable, IP65**



*description:*

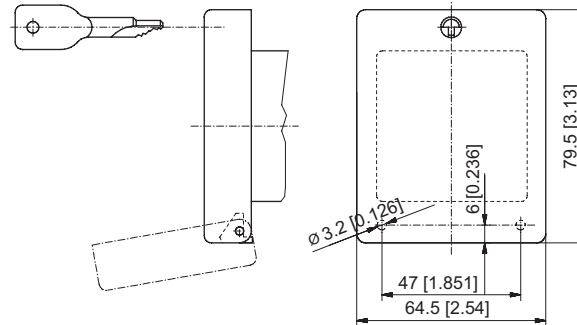
- screw-on, for size F2
- IP65 protection
- with gaskets and screws

*suitable for:*

Dvs BVa 15, Dvs HVa 15, transparent  
Dvs MVs 16

*Order-No.*

**G008151**



**Transparent cover type 2 Dv (mounted on bezel) lockable, IP65**

for counter with cut-out 45 x 45 mm and front bezel 48 x 48 mm



*description:*

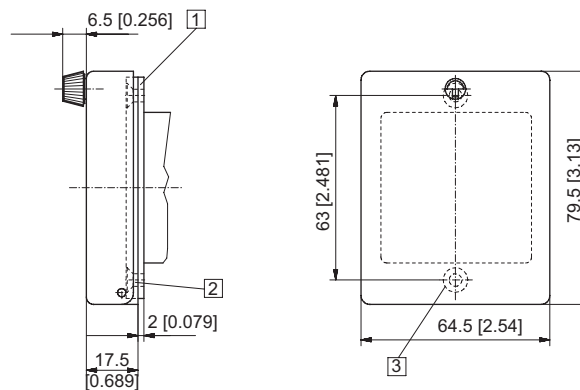
- for cut-out 50 x 50 mm
- screw mounting
- IP65 protection
- with gaskets and screws

*suitable for:*

901, Codix 716 / 717, transparent/  
Codix 923 / 924, black  
Codix 907 / 908,  
H 57, HC 77, HW 66, HW 66 M

*Order-No.*

**G008143**



① Gasket

② Front bezel

③ Countersinking Bf4, DIN 74

**Transparent cover type 2 Dvs (mounted on bezel) key lockable, IP65**

for counters with cut-out 45 x 45 mm and front bezel 48 x 48 mm



*description:*

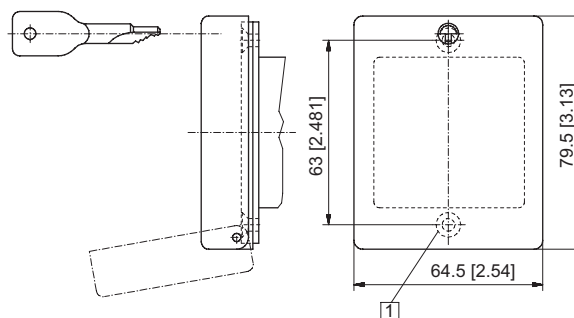
- for cut-out 50 x 50 mm
- screw mounting
- IP65 protection
- with gaskets and screws

*suitable for:*

901, Codix 716 / 717, transparent/  
Codix 923 / 924, black  
Codix 907 / 908,  
H 57, HC 77, HW 66, HW 66 M

*Order-No.*

**G008153**



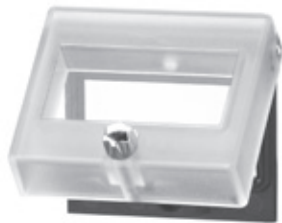
① Countersinking Bf4, DIN 74

## Transparent cover Details

### Dimensions / Details

**Transparent cover type 1 Dv (mounted on bezel)  
lockable, IP65**

for counters with cut-out 50 x 25 mm or 45 x 22.2 mm



- 1 Front bezel
- 2 Countersinking Bf4, DIN 74

*description:*

- for cut-out 54 x 29 mm
- screw mounting on front bezel F1B or adapter front bezel N003001
- IP65 protection with front bezel

*suitable for:*

B 1x.3x, HB 2x.3x

transparent / black

with front bezel F1B:

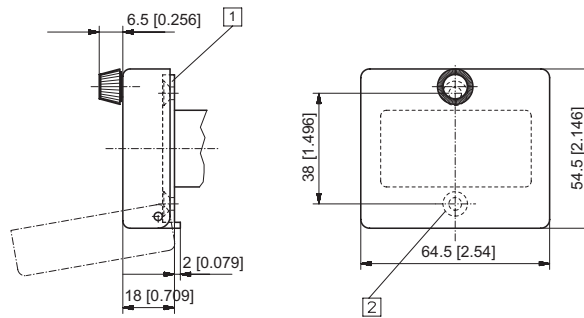
B 1x.0x, HB 2x.0x

via adapter front bezel N003001:

Codix 13x, 14x, 52x, 53x,  
W 15.5, W 16.5, W 17.5,  
H 37, H 37.5

*Order-No.*

**N003002**



# Accessories

## Socket box Details

### Dimensions / Details

Socket box type 945.2

*description:*

for plug-in connection in front bezel F1B

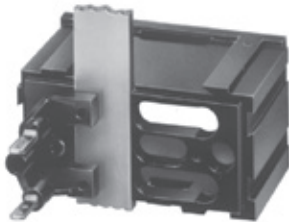
*suitable for:*

B 1x.0x, HB 2x.0x

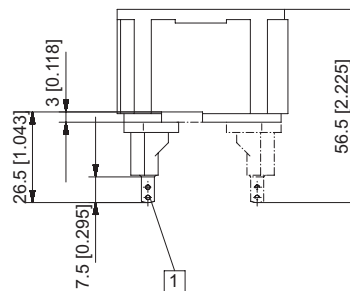
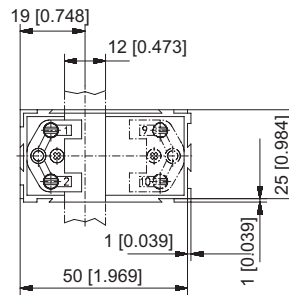
black

*Order-No.*

**G008434**



1 Flat pin 0.8 x 2.8 silver-plated



# Accessories

## Socket box Details

### Dimensions / Details

#### Socket box type 926.1



*description:*

for plug-in connection in

*suitable for:*

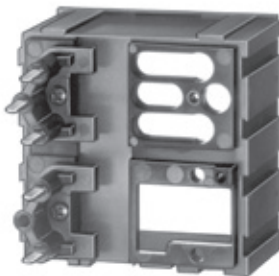
MVs 16

transparent

*Order-No.*

**G008433**

#### Socket box type 946.1



*description:*

for plug-in connection in front bezel F2B

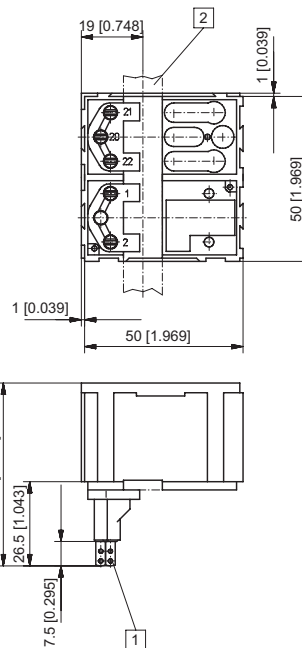
*suitable for:*

BVa 15, HVa 15

black

*Order-No.*

**G008439**



1 Flat pin 0.8 x 2.8 silver-plated

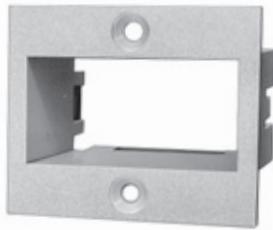
2 Fixing strip 3 x 12 mm

## Front bezel Details

### Dimensions / Details

#### Front bezel type F1B

for plug-in counters B 1x.0x and HB 2x.0x in socket box type 945.2



#### description:

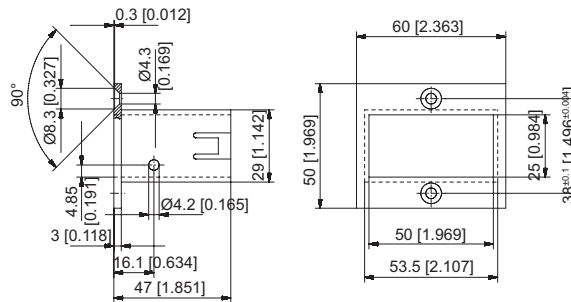
- for cut-out 54 x 49 mm
- screw mounting

#### suitable for:

B 1x.0x, HB 2x.0x      beige  
 black

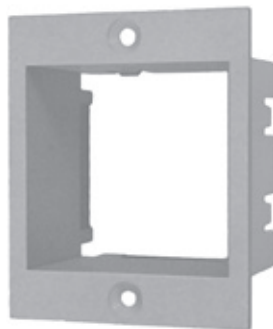
#### Order-No.

**G007501**  
**G007502**



#### Front bezel type F2B

for plug-in counters BVa 15.0x in socket box type 946.1 or 2 x B- or HB counters in socket box type 945.2



#### description:

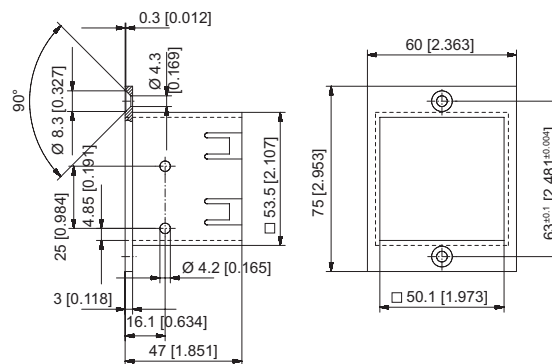
- for cut-out 54 x 54 mm
- screw mounting

#### suitable for:

BVa 15.0x      beige  
 black

#### Order-No.

**G007503**  
**G007504**





# Accessories

## Mounting frame

## Details

### Dimensions / Details

#### Mounting frame with cut-out 92 x 45 mm

for counters 96 x 48 mm

#### description:

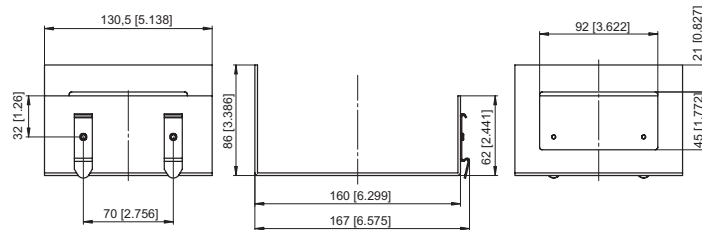
for snap-on mounting on 35 mm top-hat DIN rail

#### suitable for:

Codix 54x, 55x, 56x, 57x grey

#### Order-No.

**G300005**



#### Mounting frame with cut-out 50 x 50 mm

(cut-out 45 x 45 mm via supplied adapter)

for counters 48 x 48 mm, 53 x 53 mm and 55 x 55 mm

#### description:

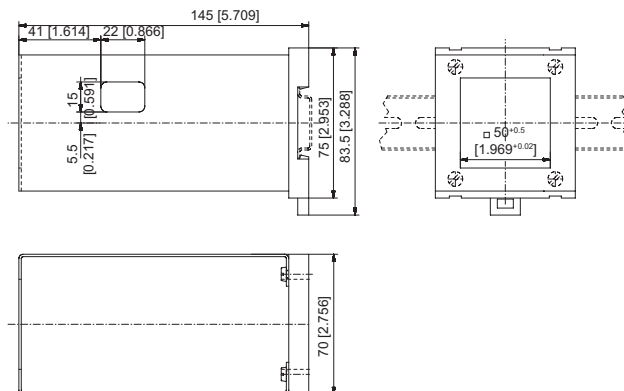
for snap-on mounting on 35 mm top-hat DIN rail

#### suitable for:

901, Codix 716 / 717, chromated  
Codix 923 / 924, Codix 907 / 908,  
H 57, HC 77, HW 66, HW 66 M,  
BVa 15.21, HVa 15.21,  
MV's 16.2x

#### Order-No.

**G300003**



#### Mounting frame with cut-out 50 x 25 mm

(cut-out 45 x 22.2 mm via separate adapter)

for counters 53 x 28 mm and via separate adapter (T008180) for counters 48 x 24 mm

#### description:

for snap-on mounting on 35 mm top-hat DIN rail

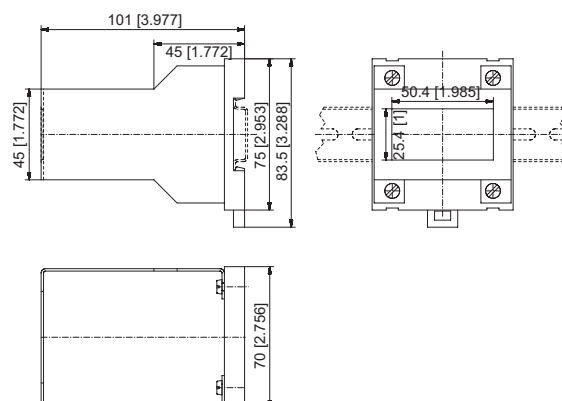
#### suitable for:

B 1x.2x, HB 2x.2x. chromated

via adapter:  
Codix 13x, 14x, 52x, 53x,  
W 15.5, W 16.5, W 17.5,  
H 37, H 37.5

#### Order-No.

**G300004**



# Accessories

## DIN rail mount Details

### Dimensions / Details

#### DIN rail mount SR 1

for B and HB counters



*description:*

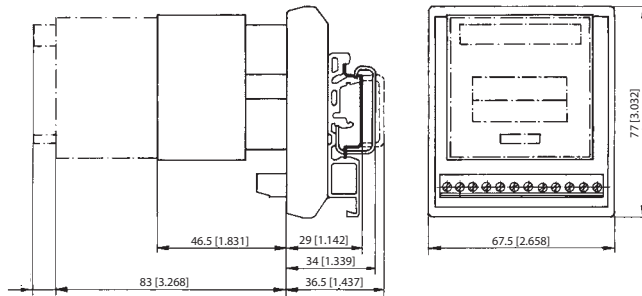
for snap-on mounting on 35 mm top-hat DIN rail

*suitable for:*

B and HB counters

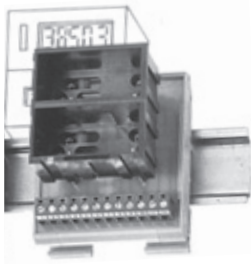
*Order-No.*

**G300000**



#### DIN rail mount SR 2

for 2 x B and HB counters



*description:*

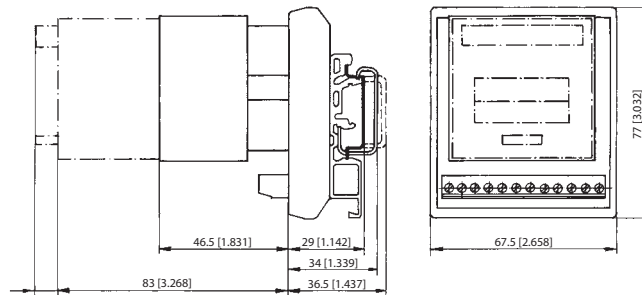
for snap-on mounting on 35 mm top-hat DIN rail

*suitable for:*

B and HB counters

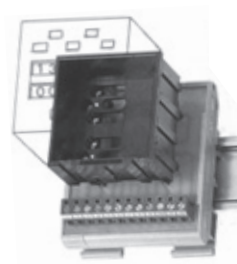
*Order-No.*

**G300001**



#### DIN rail mount SR 3

for BVa and HVa counters



*description:*

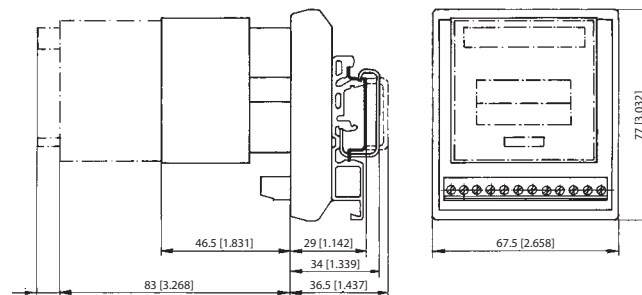
for snap-on mounting on 35 mm top-hat DIN rail

*suitable for:*



BVa and HVa counters

*Order-No.*

**G300002**



## Accessories

Enclosure blind	Details		
<b>Dimensions / Details</b>			
<b>Enclosure blind, 48 x 24 mm</b> for counters 48 x 24 mm and 53 x 28 mm (via adapter front bezel T008180 or T008181; included in delivery)	<i>cut-out:</i> for cut-out 45 x 22.2 mm and cut-out 50 x 25 mm	<i>suitable for:</i> Codix 13x, 14x, 52x, 53x, W 15.5, W 16.5, W 17.5, H 37, H 37.5	<i>Order-No.</i> <b>G003836</b>
			
<b>Enclosure blind, 53 x 28 mm</b>	<i>cut-out:</i> for cut-out 50 x 25 mm	<i>suitable for:</i> B and HB counters	<i>Order-No.</i> <b>T005753</b>
			

# Accessories

## Other accessories Details

### Dimensions / Details

#### Terminal cover type KA 37

for counter H 37



*description:*

2-pcs. per counter required



*suitable for:*

H 37

transparent

*Order-No.*

**T051687**

#### Base mount socket

for H 57 / AH 57 counters



*description:*

for DIN rail mount

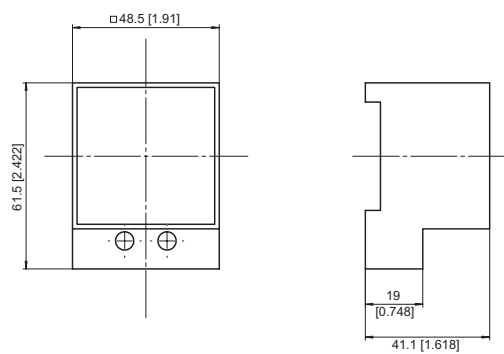
*suitable for:*

H 57

black

*Order-No.*

**G008040**



#### Mounting support

for HR 76.2, HR 47



*description:*

for mounting the counter onto a flat plate

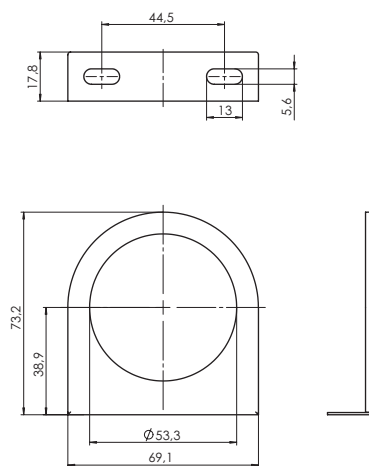
*suitable for:*

HR 76.2, HR 47

black

*Order-No.*

**N510199**



## Other accessories

## Details

### Dimensions / Details

#### Adapter and anti-vibration set

for HR 47



#### *description:*

Adapter- und anti-vibrationsset for panel cut-out  $\varnothing$  71 mm, outer diameter  $\varnothing$  80 mm

#### *suitable for:*

HR 47

black

#### *Order-No.*

**255319**

#### *Delivery specification:*

- 1 x rubber adapter
- 2 x cover mask
- 1 x spacer ring
- 1 x clamping bracket, shortened

## Accessories

Gaskets		Overview		
Gasket, outer diameter	for cut-out	suitable for		Order-No.
60 x 75 mm	54.4 x 54.4 mm	F2B (G007503, G007504) + BVa 15.0x, MVs 16, T008860	black	N511003
58 x 58 mm	50.2 x 50.2 mm	BVa 15.2x, HVa 15.2x, MVs 16.2x, T008853	black	N511004
60 x 50 mm	54.4 x 29.4 mm	F1B (G007501, G007502) + B 1x.0x, HB 2x.0x, N003001	black	N511005
58 x 33 mm	50.2 x 25.2 mm	B 1x.2x, HB 2x.2x	black	N511006
39 x 40 mm	33.3 x 22 mm	Mk 14.11, PMk 14.11, Hk 17.151	black	N511011
53 x 28 mm	50 x 25 mm	B 1x.2x, HB 2x.2x, H 37.2, H 37.4, T008164, T008165, T008180	black	N511015
72 x 72 mm	∅ 50.5 mm and 45 x 45 mm	H 57.72, HC 77.72, T008176, T008177	black	N511016
55 x 55 mm	∅ 50.5 mm and 45 x 45 mm	H 57.55, HC 77.55, T008171, T008170	black	N511017
48 x 48 mm	∅ 50 mm and 45 x 45 mm	H 57, HC 77, HW 66	black	N511018
60 x 50 mm	50 x 25 mm	B 1x.3x, HB 2x.3x	black	N511019
60 x 75 mm	50 x 50 mm	BVa 15.3x, HVa 15.3x, MVs 16.3x, T008860	black	N511020
48 x 48 mm	45 x 45 mm	901, Codix 716 / 717, Codix 923 / 924, Codix 907 / 908, H 57, HC 77, HW 66	black	N511028
48 x 24 mm	45 x 22 mm	Codix 13x, Codix 14x, Codix 52x, Codix 53x, W 15.5, W 16.5, W 17.5, H 37, H 37.5	black	N511029
55 x 31.5 mm	37 x 24 mm	HK 17.611	black	N511030
96 x 49 mm	92 x 45 mm	Codix 54x, Codix 55x	black	N511031
49 x 49 mm	45 x 45 mm	901, Codix 716 / 717, Codix 923 / 924, Codix 907 / 908, H 57, HC 77, HW 66	black	N511033
49 x 25 mm	45 x 22 mm	Codix 13x, Codix 14x, Codix 52x, Codix 53x, W 15.5, W 16.5, W 17.5, H 37, H 37.5	black	N511034
36 x 24 mm	33.3 x 22 mm	HK 17.251 ... 56	black	N511040
55 x 26 mm	33.3 x 22 mm	HK 17.451	black	N511043
∅ 71.1 mm	∅ 50.8 mm	HR 76.1	black	N511150
96 x 48 mm	92 x 45 mm	Codix 56x	black	N511181
∅ 58 mm	∅ 50 mm	HR 47	black	N511182