

PCB, 5 x 20 or 6.3 x 32 mm, IP 00



Variant 2

250 VAC · 2.5 W / 10 A · 10 A (UL)



Description

- Through hole mounting
- Clip-material: bronze or brass
- Fuse block accepts 5x20 or 6.3x32 fuse-links

Standards

- IEC 60127-6
- UL 512
- CSA C22.2 no. 39

Approvals

- UL File Number: E39328

References

General Product Information

Weblinks

Approvals: <http://www.schurter.com/approvals>

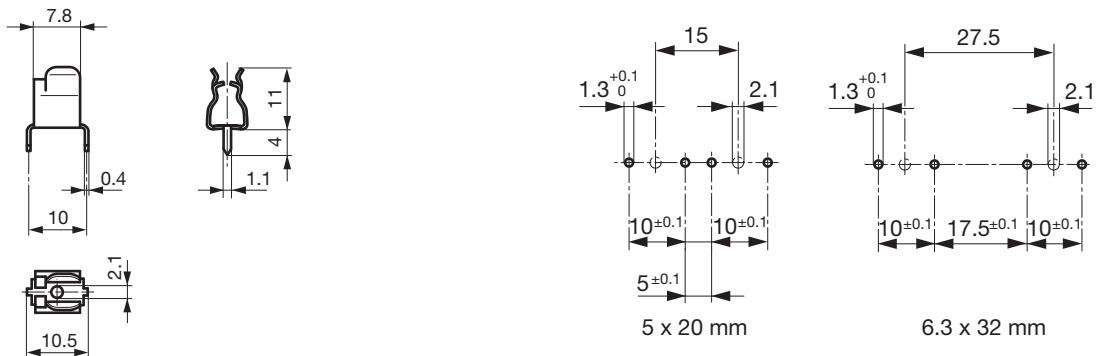
RoHS: <http://www.schurter.com/rohs>

Technical Data

Fuse-Link	5 x 20 or 6.3 x 32 mm
Mounting	PCB
Terminal	Solder THT
Rated Voltage	250 VAC
Rated Current	10 A (UL)
Rated Power Acceptance IEC	2.5 W / 10 A @ Ta 23 °C Admissible power acceptance at higher ambient temperature see derating curves
Degree of Protection	IP 00
Admissible Ambient Air Temp.	-40 °C to 85 °C
Climatic Category	40/085/21 acc. to IEC 60068-1
Material: Terminals	see variants
Unit Weight (Socket/Cap)	0.98 g
Storage Conditions	0 °C to 60 °C, max. 70% r.h.
Product Marking	Approvals

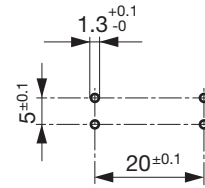
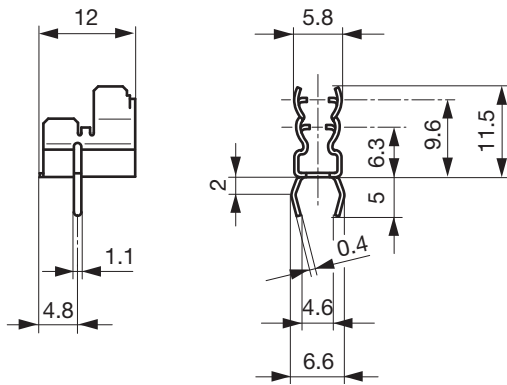
Soldering Methods	Wave
Solderability	235 °C / 2 sec acc. to IEC 60068-2-20, Test Ta, method 1
Resistance to Soldering Heat	260 °C / 10 sec acc. to IEC 60068-2-20, Test Tb, method 1A
Contact Resistance	< 2.5 mΩ at 20 mV

Dimensions



Variant 0751.0056

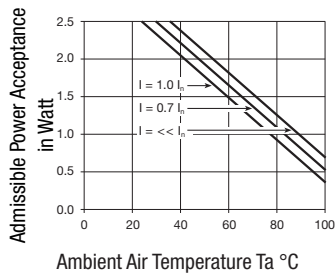
Drilling holes variant 0751.0056



Variant 2 0751.0099, 0751.0100, 0751.0141 and 0751.0142

Drilling diagram variant 2 0751.0099, 0751.0100, 0751.0141 and 0751.0142

Derating Curves



Variants

Order Number	Clip	Terminal	Material
0751.0056	●	Straight	Tin-Plated Bronze
0751.0099	●	Kicked	Tin-Plated Bronze
0751.0100	●	Kicked	Tin-Plated Brass
0751.0141	●	Straight	Tin-Plated Bronze
0751.0142	●	Straight	Tin-Plated Brass

Packaging Unit Bulk (1000 pcs.)