



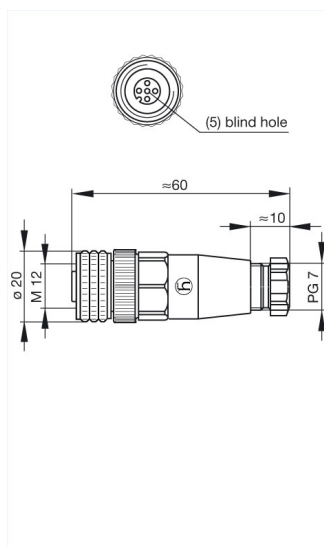
ELKA 4012 PG7 schwarz/black

Industrial Connectors: Circular Connectors E-series M12/FIXCON: with screw locking: Straight cable socket, self-assembled

Product description

Description	Straight cable socket, unassembled, strain relief by means of clamping cage
Type	ELKA 4012 PG7 schwarz/black
Order No.	933 139-100
Type of contact	female
Number of contacts	4
Cable gland	PG 7
Conductor size	max. 0.75 mm ²
Standard	IEC 61076-2-101 (Ed. 1)/ IEC 60947-5-2
Housing Color	black

Drawing



Technical data

Rated voltage	250 V AC/DC
Rated current	4 A
Type of termination	screw
Suitable cables	diameter 4 mm to 6 mm

Material

Contact material	Cu Zn
Contact surface material	Sn
Contact bearer material	PA
Housing material	PA
Coupling nut material	Zn Al/Ni
O-Ring	NBR

Environmental conditions

Protection class (IEC 60529)	IP 67
Pollution severity	3
Temperature range	-25 °C to +90 °C

Inflammability class

Housing	94 V-2
Contact bearer	94 V-2
Approvals	
UL	UL pending
Packing unit	
Packaging unit	100 pieces
Scope of delivery and accessories	
Accessories to order separately	protective cap M12 VS, order no. 734 209-100