
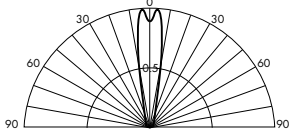

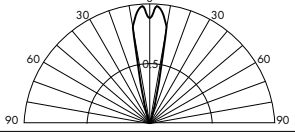

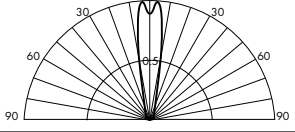

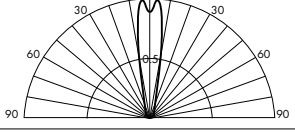

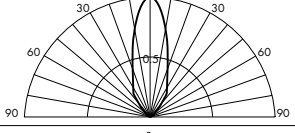

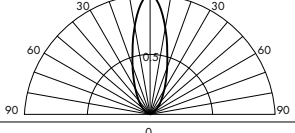

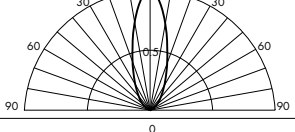

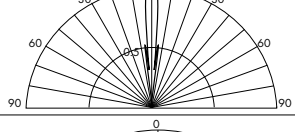

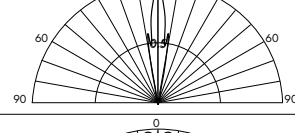

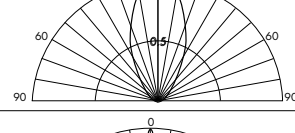

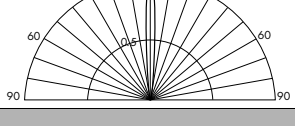


# THROUGH-HOLE SHAPE - INFRARED LED

## Infrared LED

Ta= 25°C

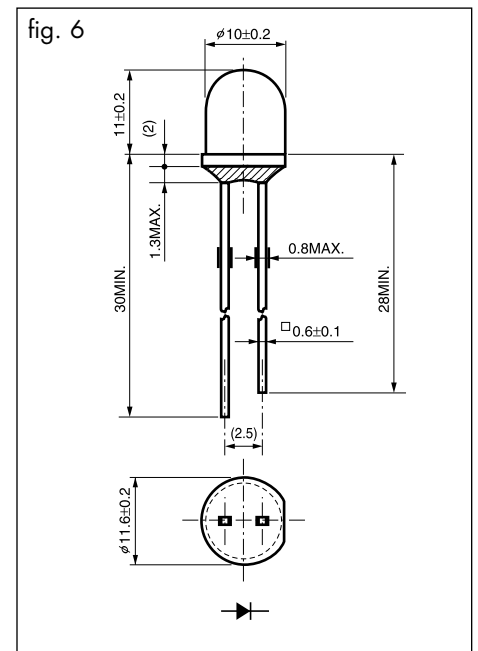
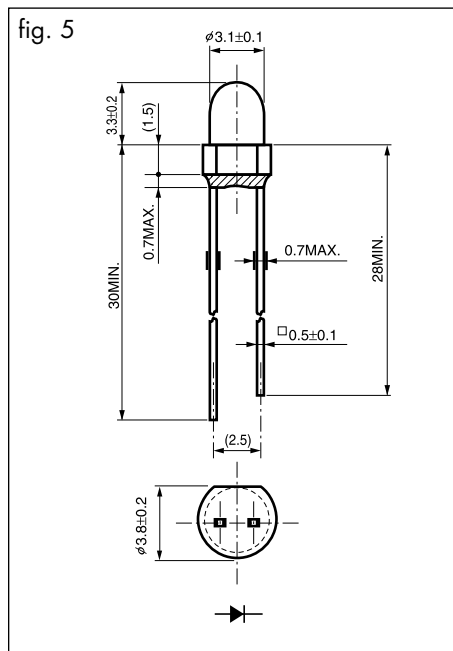
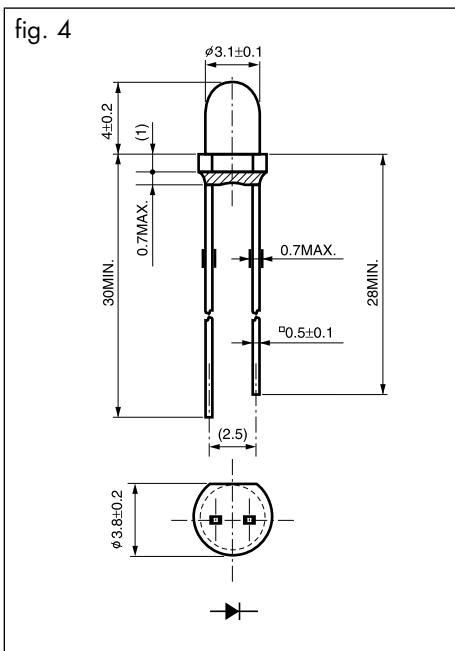
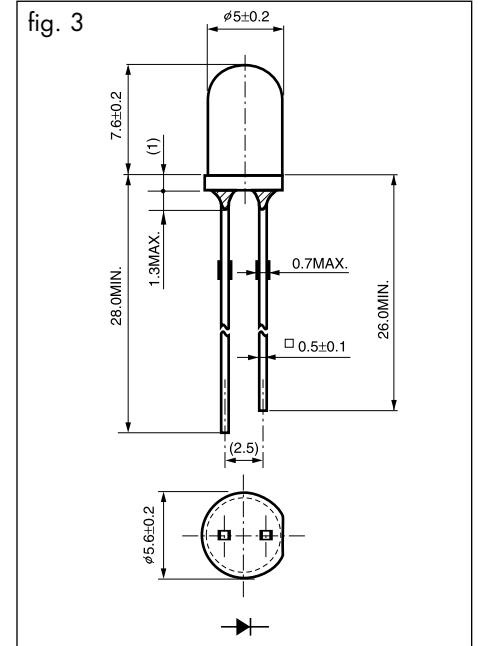
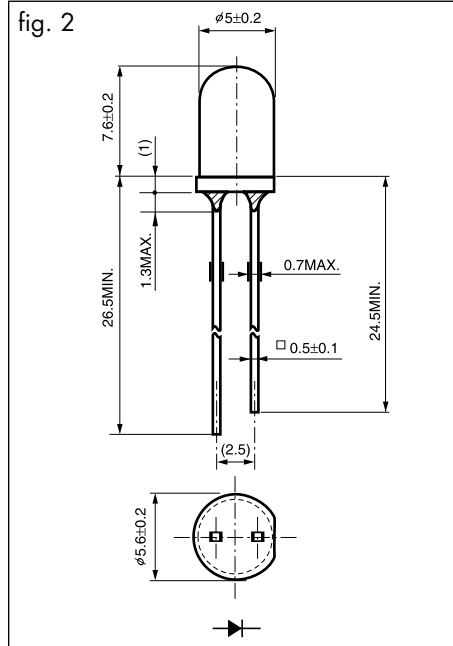
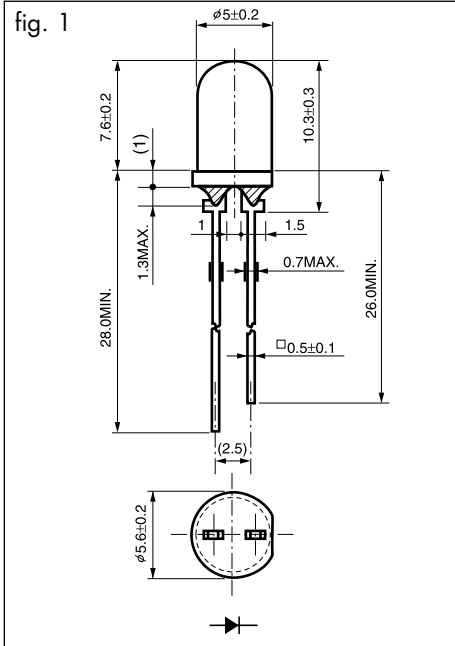
Shape	Part No.	Features	Peak Wavelength P		Radiant Intensity I <sub>E</sub>			Output Power P <sub>O</sub>		Cut-Off Frequency F <sub>c</sub>			Spatial Distribution (The typical distribution example of each shape is shown below)	fig.
			TYP.	I <sub>F</sub>	MIN.	TYP.	I <sub>F</sub>	TYP.	I <sub>F</sub>	MIN.	TYP.	I <sub>F</sub>		
	<b>DNH318U</b>	Hi-speed 100MHz 5 package	850	50	10	20	50	5	50	70	100	50		1
	<b>DNK318U</b>	Hi-speed Hi-power output 5 package	870	50	40	80	50	20	50	40	55	50		1
	<b>DNF318U-4</b>	Hi-speed 5 package	850	50	30	60	50	13	50	20	30	50		1
	<b>DNP318U-4</b>	Hi-output 5 package	880	50	30	60	50	13	50	—	12	50		1
	<b>DNK324U</b>	Hi-speed Hi-power output Wide distribution 5 package	870	50	15	30	50	22	50	40	55	50		2
	<b>DNF324U-4</b>	Hi-speed Wide distribution 5 package	850	50	15	30	50	13	50	20	30	50		2
	<b>DNP324U-8</b>	Hi-output Wide distribution 5 package	880	50	21	35	50	18	50	—	12	50		2
	<b>DNP325-4</b>	Hi-radiant intensity Narrow distribution 5 package	880	50	40	80	50	13	50	—	12	50		3
	<b>DNP319</b>	3 package	880	50	20	40	50	14	50	—	12	50		4
	<b>DNP331</b>	Wide distribution 3 package	880	50	10.5	21	50	16	50	—	12	50		5
	<b>DNF320-4</b>	Hi-radiant intensity Narrow distribution 10 package	850	50	100	200	50	13	50	20	30	50		6
Unit			nm	mA	mW/sr	mA	mW	mA	MHz	mA				

All above products contain no lead  
\* Lead-free soldering compatible product

# THROUGH-HOLE SHAPE - INFRARED LED

## Package Dimensions


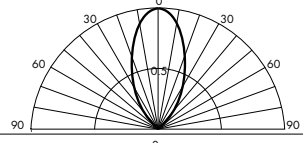

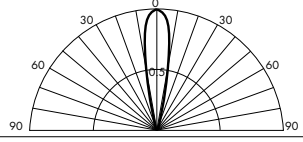

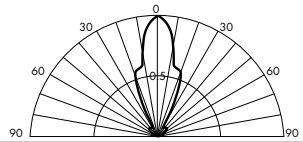

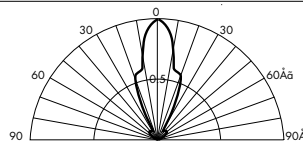

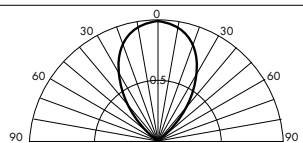

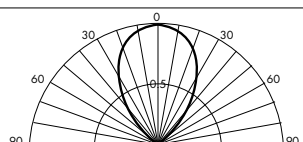
unit: mm



# THROUGH-HOLE SHAPE - INFRARED LED

## Infrared LED

Ta= 25°C

Shape	Part No.	Features	Peak Wavelength P		Radiant Intensity I <sub>E</sub>			Output Power P <sub>O</sub>		Cut-Off Frequency F <sub>c</sub>			Spatial Distribution (The typical distribution example of each shape is shown below)	fig.
			TYP.	I <sub>F</sub>	MIN.	TYP.	I <sub>F</sub>	TYP.	I <sub>F</sub>	MIN.	TYP.	I <sub>F</sub>		
	<b>AN304</b>	5 package	950	50	6	15	50	9	50	—	0.5	50		1
	<b>AN333</b>	3 package	950	50	5	10	50	5	50	—	0.5	50		2
	<b>AN501</b>	Double-end package	950	50	3	5	50	6	50	—	0.5	50		3
	<b>DN501</b>	Double-end package	850	50	5.2	10.4	50	10	50	—	30	50		3
	<b>AN504</b>	Side-view package	950	50	1.5	3.0	50	5	50	—	0.5	50		4
	<b>DN504</b>	Side-view package	850	50	4	8	50	12	50	—	30	50		4
Unit			nm	mA	mW/sr	mA	mW	mA	MHz	mA				

All above products contain no lead

\* Lead-free soldering compatible product

# THROUGH-HOLE SHAPE - INFRARED LED

## Package Dimensions

unit: mm

