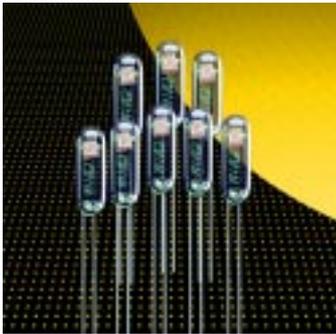


Oil Burner Control Applications

Photocells U 1160

small Photocell

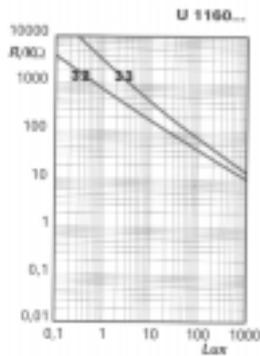
Glass encapsulated housing



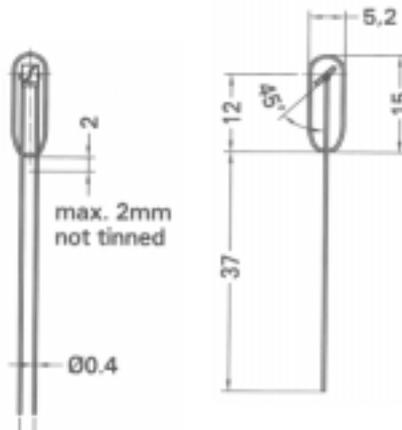
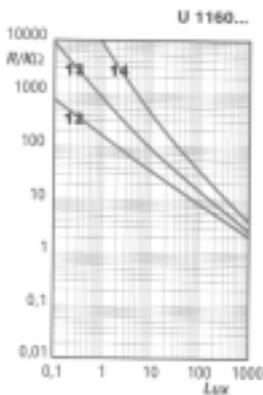
Oil Burner Controls Applications

This glass encapsulated photocell is the main running series for the above mentioned burner control application range. Customized selections are available upon request.

Operating Temperature Range: -20...+70 °C (non continuous)
Storage Temperature Range: -20...+80 °C (non continuous)



Type	R ₁₀	R ₁₀₀	R ₀₁	R ₀₅	V _{max}	P _{max}	γ _{10/100}	λ _{peak}
units	KΩ	KΩ typ.	MΩ min	MΩ min	V	mW	typ.	nm
U1160 12	20...50	8,0	0,12	0,36	150	50	0,7	550
U1160 13	35...220	15	0,4	1,2	150	50	0,85	550
U1160 14	150...1000	35	1,0	3,0	150	50	0,95	550
U1160 32	100...320	40	1,0	3,0	400	50	0,7	550
U1160 33	250...1100	75	2,0	6,0	400	50	0,85	550



all Dimensions in mm

Europe:
PerkinElmer Optoelectronics
GmbH & CoKG
Wenzel Jaksch Str 31
65199 Wiesbaden / Germany
Phone +49(0)611 492 0
Fax +49(0)611 492 170

USA:
PerkinElmer Optoelectronics
44370 Christy Street
Freemont, CA 94538-3180
Phone +510 979 6500
+800 775 6786
Fax +510 687 1140

Asia:
PerkinElmer Optoelectronics
47, Ayer Rajah Crescent #06-12
Singapore 139947
Phone +65 775 2022
Fax +65 775 1008



Right for modification reserved / WS / 28.8.2003