

## **CODEX524**, Universal for adding, position frequency, speed or time

- High count speed, numerous programming options
- Functions as per **CODEX521** ... 523
- Separate multiplication and scaling factor for pulse and frequency counter

### Operating modes:

Display counter, adding and subtracting,  
Position display  
Frequency counter/Rate meter/Tachometer,  
Hour meter/Timer



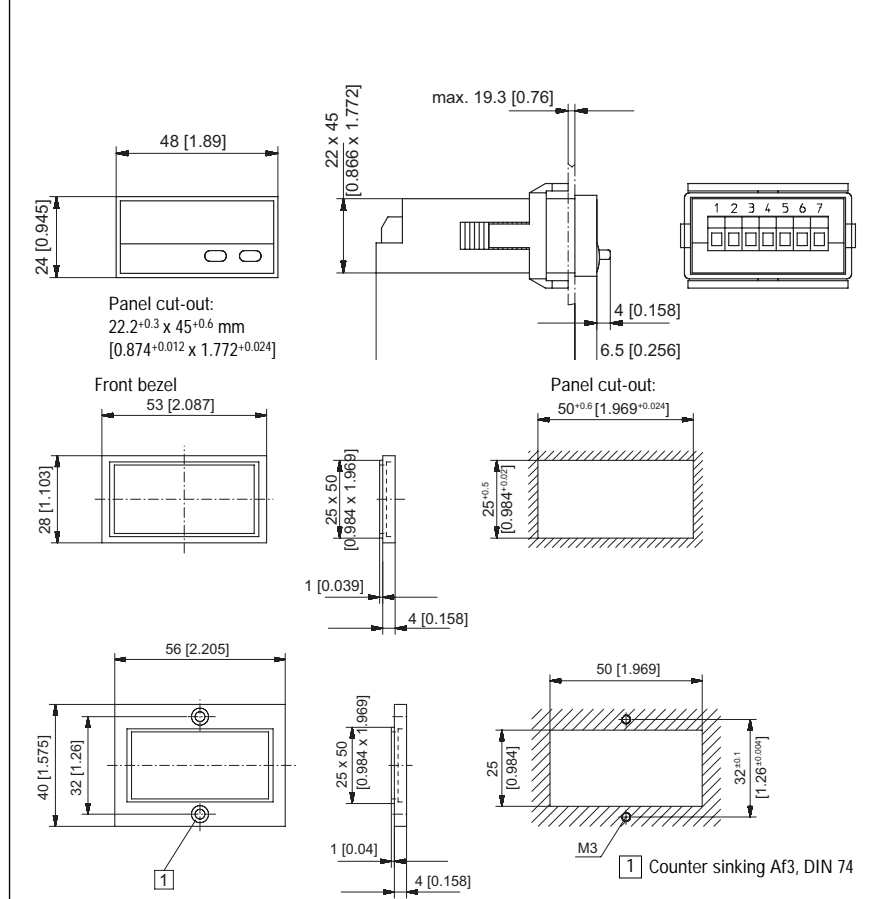
NPN or PNP inputs,  
max. 60 kHz

Big keys for use  
when wearing gloves

### Technical data:

Supply voltage:	10 ... 30 V DC, with reverse polarity protection	Level of inputs:	Low: 0 ... 0.2 [0 ... 0.008"] x U <sub>B</sub> [V DC] High: 0.6 [0.024"] x U <sub>B</sub> ... 30 V DC
Current consumption:	max. 50 mA	Level of inputs: 5 V version	Low: 0 ... 2 V DC High: 4 ... 30 V DC
Display:	6 digit red 7-segment LED; 8 mm [0.315"] high	Optocoupler output:	Max. 30 V, 10 mA
Data backup:	EEPROM	Accuracy:	Tacho meter: <0.1 % Time meter: <50 ppm
Housing:	Dimensions 48 x 24 mm [1.89 x 0.945"] according to DIN 43 700; RAL 7021, grey	Ambient temperature:	-10 ... +50 °C [14 °F ... 112 °F], non-condensing
Polarity of Inputs:	programmable, npn or pnp	Storage temperature:	-25 ... +70 °C [-13 °F ... 158 °F]
Input resistance:	approx. 10 kΩ	EMC:	according to EC EMC directive 89/36/EWG
Counting frequency:	max. 60 kHz, can be damped to 30 Hz position display: max. 25 kHz	Immunity to interference:	EN 61000-6-4/EN 55011 class B
Resolution:	Timer 0.001 s ... 999999 h	Emitted interference:	EN 61000-6-2
Reset time:	5 ms	Protection:	IP65 (front)
		Weight:	approx. 50 g [1.764 oz]

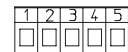
### Dimensions:



### Connections:

without Optocoupler

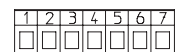
- 1 10 ... 30 VDC
- 2 0 V GND
- 3 INP A
- 4 INP B
- 5 Reset



### Connections:

with Optocoupler (npn)

- 1 10 ... 30 VDC
- 2 0 V GND
- 3 INP A
- 4 INP B
- 5 Reset
- 6 Emitter
- 7 Collector



### Delivery specification

- 1 Digital display
- 1 Panel mounting clip
- 1 Bezel for screw mounting, panel cut out  
50 x 25 mm [1.969 x 0.984"]
- 1 Bezel for clip mounting, panel cut out  
50 x 25 mm [1.969 x 0.984"]
- 1 Seal
- 1 Multilingual operating instructions

### Order code:

6.524.01X.3X0

