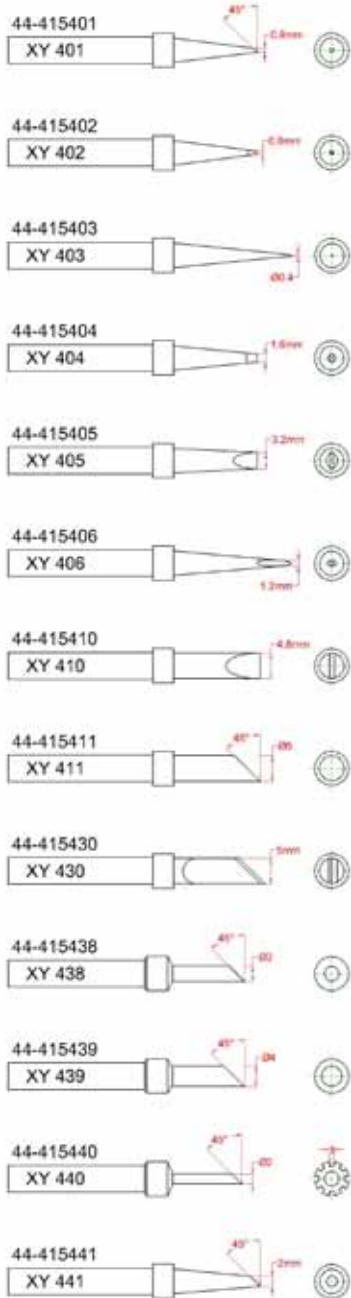


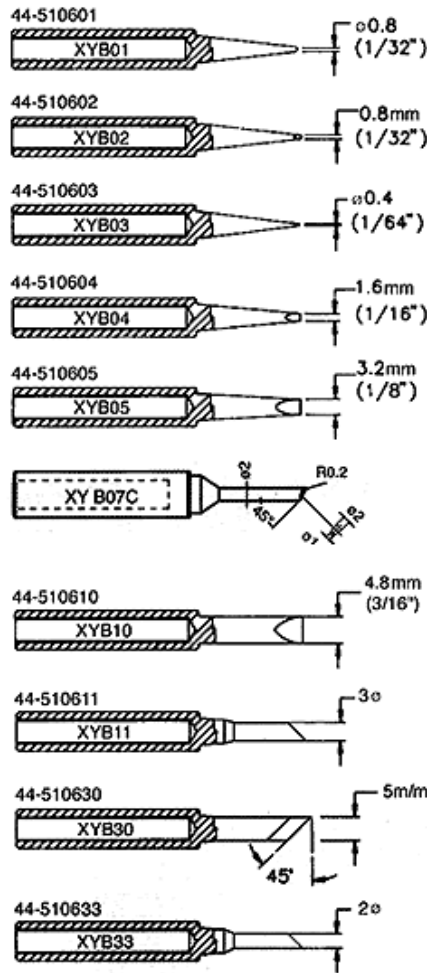
We provide the broadest range of soldering equipment, fume extraction products and hand tools to meet all your assembly needs. Our Strength lies in our temperature controlled soldering stations which make up the bulk of XYtronic-USA's sales and are a key piece of equipment for the electronics industry.

Standard Replacement Tips

44-415400 (44-16800) series for XY9-60D, XY9-60A, 168-3C, 168-3CD, 169D, LF-853D, LF-1000, LF-1560, SIA60, 258, 200GX, 207, 207ESD, 210ESD, 853D, 999SD-A,



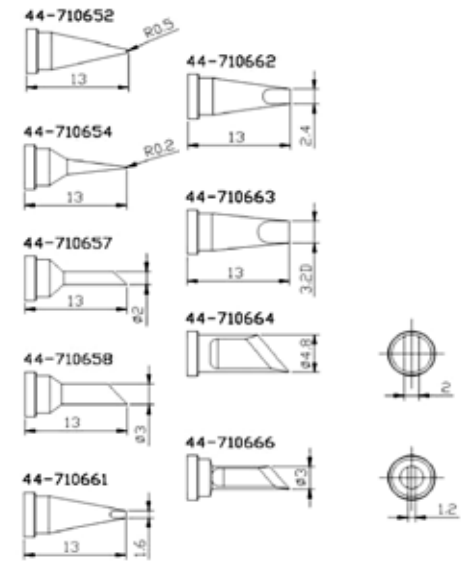
44-510600 series for LF-369D, LF-1600, LF-1680, 136, 136ESD, 137ESD, 379, 456DLX, 988, 252, 253, 107, 107ESD, 108ESD, 106U,



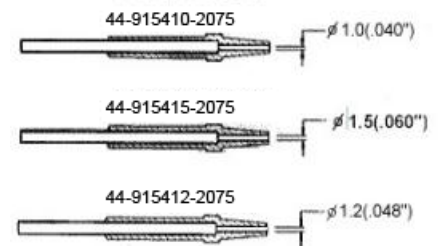
For 200PHG

- For (25W, 40W)
- Conical type 5ø 44-240503 (503)
 - Chisel type 5ø 44-240517 (517)
- For (60W)
- Conical type 6ø 44-240603 (603)
 - Chisel type 6ø 44-240617 (617)

44-710000 series for 100, 307A, LF8800 LF2000



44-915400-2075 series for DIA80 ONLY LF-6000, LF-7000, LF-8000



44-915400 series for 968, 988, 999SD-A, DIA60A, DIA100, LF-853D, LF-8800

