

LCD Display counter **CODIX** 130/131/132/133



- Low-price and high efficiency
- Large 8-digit LCD display, height of the figures 8 mm
- Optional backlighting
- Various counting modes like up /down, differential and phase discriminator counting, also with pulse doubling for connection with incremental encoders
- High voltage input for 10 ... 260 V AC/DC voltage pulses
- Unified Codix design, suiting the extensive **CODIX** family
- IP65
- Screw terminals, RM 5 mm
- Lifetime of the battery approximately 8 years
- Locking of the reset key
- Operating temperature -10 ... +60 °C
- All versions for positive or negative counting edge
- Filter function for bounce-free counting with mechanical contacts.



Technical data:

Power supply:	non-replaceable lithium battery (lifetime approximately 8 years at 20°C)
Backlighting:	external electrical source 24 V DC +/-20 %, 50 mA
Display:	LCD, 8 digits, height of the figures 8 mm
Mode:	adding or subtracting (selectable) counting direction differential counting or phase discriminator single or dual evaluation, selectable
Display range:	-9999999 ... 99999999, with overflow display
Reset:	manual and electrical
UL certified	File: E128604
Interference emissions:	EN 55011 Class B, EN 61000-6-2 EN 61010 Section 1 (only AC versions)
Housing :	dark grey RAL 7021
Operating temperature:	-10 ... +55 °C
Ambient temperature:	-10 ... +60 °C
Storage temperature:	-20 ... +70 °C
Protection:	IP 65 front
Weight:	approximately 50 g

Counting inputs:	Counting input of the DC-versions (max. 30 V DC)
Slow counting input:	max. 30 Hz NPN
Fast counting input:	max. 12 kHz (PNP), 7 kHz (NPN)
Switching level:	NPN: Low: 0 ... 0,7 V, High: 3 ... 30 V DC PNP: Low: 0 ... 0,7 V, High: 4 ... 30 V DC
Counting input of the high voltage versions (10 ... 260 V DC/V AC)	
Counting input:	Optocoupler input, max. 30 Hz
Min. pulse time:	16 ms
Switching level:	Low: 0 ... 2 V DC/V AC, High: 10 ... 260 V DC/V AC
Counting direction switching (only DC-version)	
Mode :	see order table
Contact input:	Open Collector NPN (switching at 0 V DC)
Switching level:	NPN: Low: 0 ... 0,7 V, High: 3 ... 5 V DC
Reset Input (only DC and high voltage)	
Minimum pulse time:	DC: 50 ms, high voltage: 16 ms
Contact input DC*:	NPN: Low: 0 ... 0,7 V, High: 3 ... 30 V DC
High voltage input:	10 ... 260 V DC/V AC
Electrical reset key locking (for DC and AC)	
Contact input:	Open Collector NPN (switching at 0 V)
Switching level:	NPN: Low: 0 ... 0,7 V, High: 3 ... 5 V DC

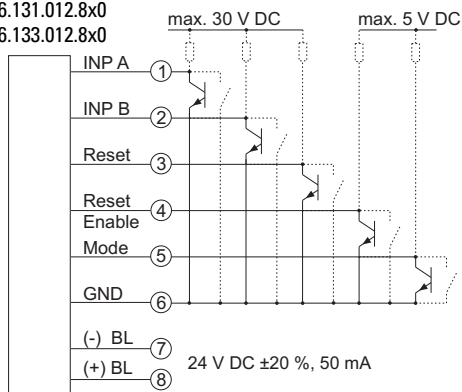
* and high voltage 131 and 132

LCD Display counter *CODIX* 130/131/132/133

Connection diagramm

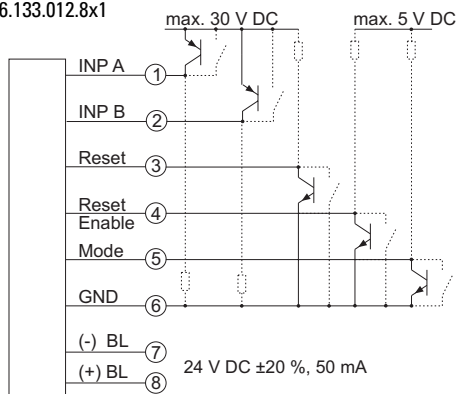
DC type:

6.130.012.8x0
6.131.012.8x0
6.133.012.8x0



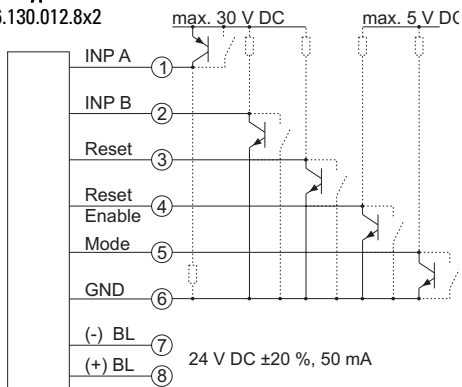
DC type:

6.131.012.8x1
6.133.012.8x1



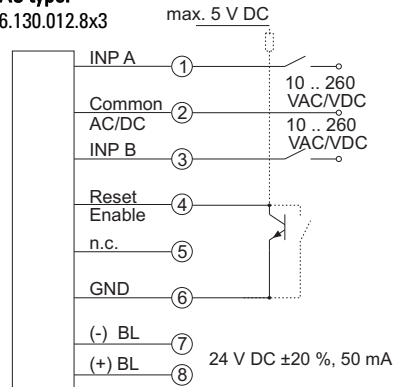
DC type:

6.130.012.8x2



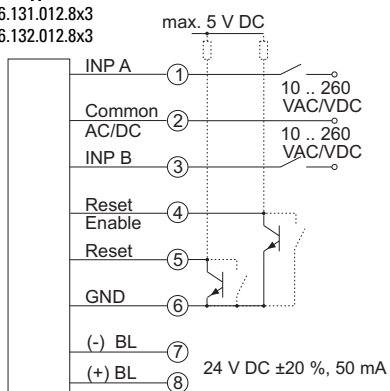
AC type:

6.130.012.8x3



AC type:

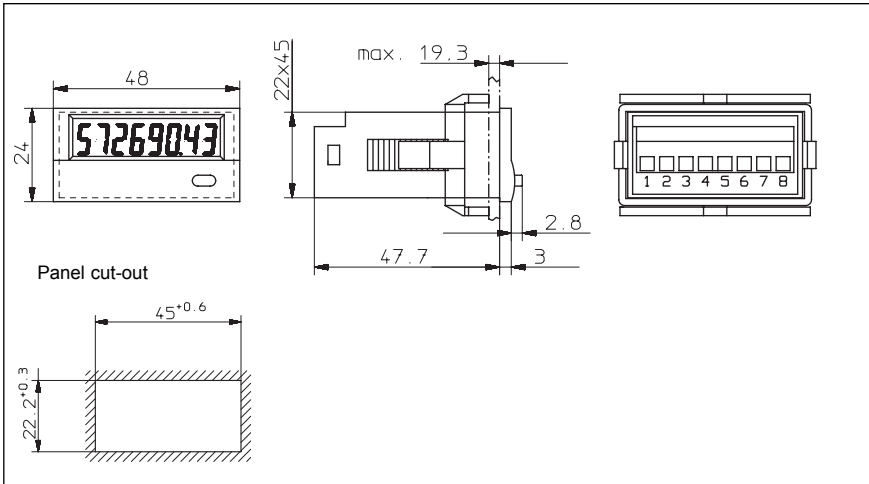
6.131.012.8x3
6.132.012.8x3



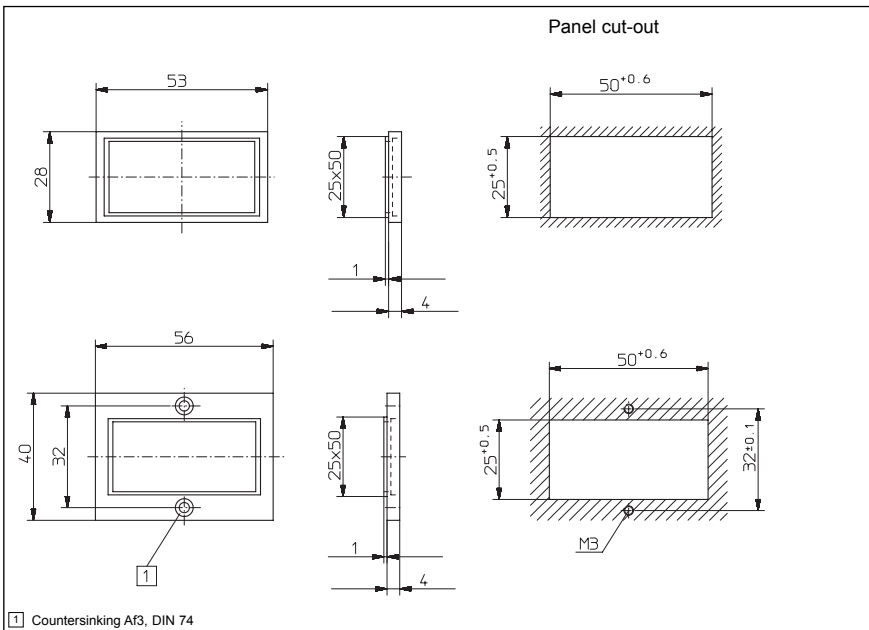
BL = backlight

LCD Display counter **CODIX** 130/131/132/133

Dimensions:



Dimensions for bezels (included in scope of delivery):



Scope of delivery:

- Digital display
- Panel mounting clip
- Bezel for screw mounting (56 x 40), panel cut out 50 x 25 mm
- Bezel for clip mounting (53 x 28), panel cut out 50 x 25 mm
- Seal
- Operating instructions.

Order information:

Type	Input type	Count inputs							
		INP A				INP B			
6.130.012.8x0	Count ¹⁾	0 ... 0,7 V DC	count	NPN	7 kHz	0 ... 0,7 V DC	count	NPN	30 Hz
6.130.012.8x2		4 ... 30 V DC	count	PNP	12 kHz	0 ... 0,7 V DC	count	NPN	
6.130.012.8x3		10 ... 260 V AC/DC	count	AC/DC	30 Hz	10 ... 260 V AC/DC	reset	AC/DC	-
6.131.012.8x0	Cnt.Dir ²⁾ /Up.Dn ³⁾	0 ... 0,7 V DC	count	NPN	7 kHz	0 ... 0,7 V DC	count/direction	NPN	7 kHz
6.131.012.8x1		4 ... 30 V DC	count	PNP	12 kHz	4 ... 30 V DC	count/direction	PNP	12 kHz
6.131.012.8x3	Up.Dn ³⁾	10 ... 260 V AC/DC	count	AC/DC	30 Hz	10 ... 260 V AC/DC	count	AC/DC	30 Hz
6.132.012.8x3	Cnt.Dir ²⁾	10 ... 260 V AC/DC	direction	AC/DC	30 Hz	10 ... 260 V AC/DC	count	AC/DC	30 Hz
6.133.012.8x0	Quad ⁴⁾ /Quad ⁵⁾	0 ... 0,7 V DC	channel A	NPN	3 kHz	0 ... 0,7 V DC	channel B	NPN	3 kHz
6.133.012.8x1		4 ... 30 V DC	channel A	PNP	6 kHz	4 ... 30 V DC	channel B	PNP	6 kHz

X: 5 = no backlight
X: 6 = with backlight

1): one-channel, adding or subtracting counting
2): counting input with counting direction input
3): one adding and one subtracting counting input (differential mode)

4): Phase discriminator for incremental encoders with single processing
5): Phase discriminator for incremental encoders with double processing