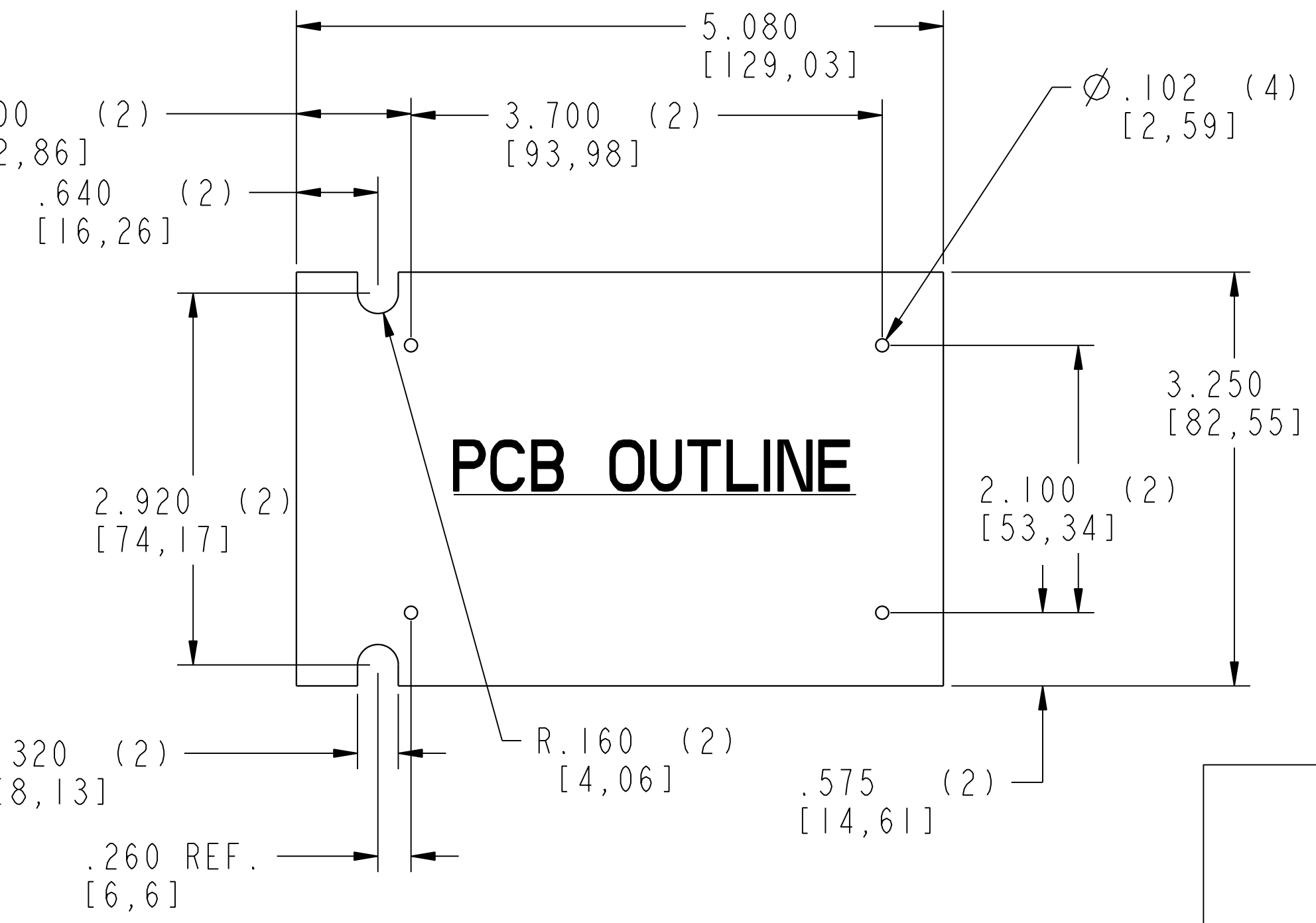


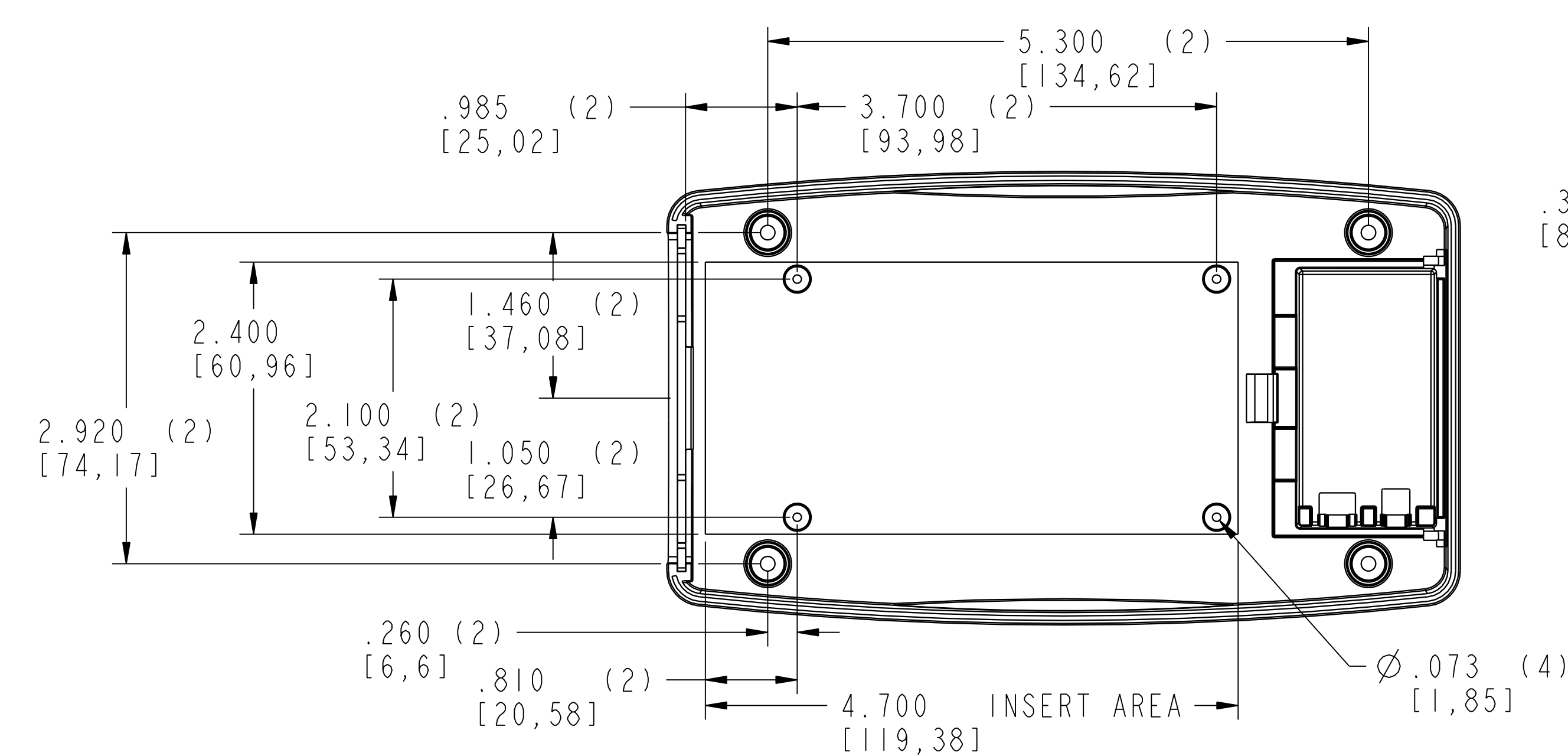
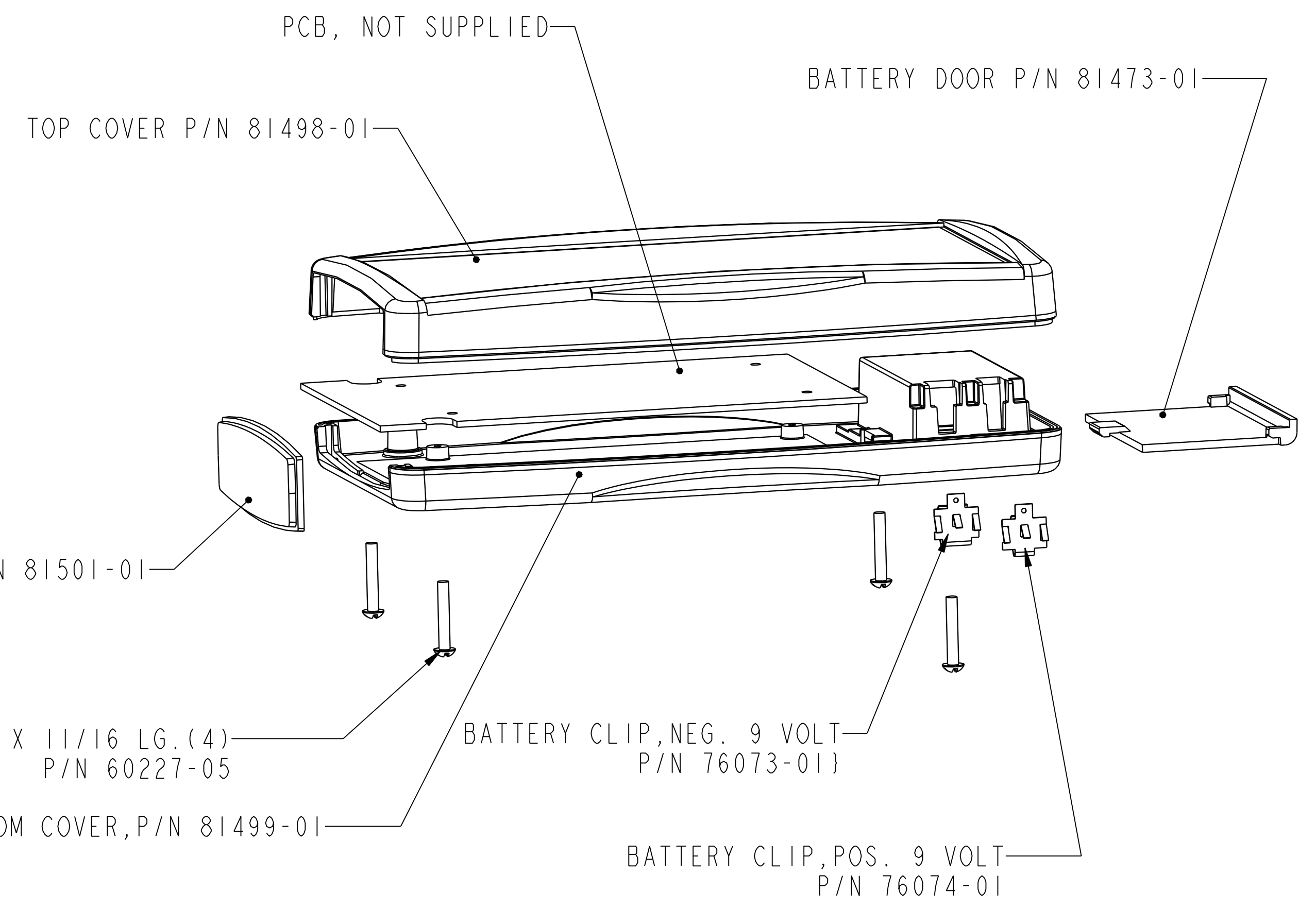
**SECTION A-A**

**BATTERY DOOR**



**PCB OUTLINE**

SUGGESTED PCB MTG. SCREW  
 PHP #2B X 1/4 LG.  
 WITH #2 PLASTIC WASHER



**PACNTEC®**  
 1-610-361-4286

**XPL-9VB**

VISIT **PACNTEC®**  
 ON THE WORLD WIDE WEB  
[www.pactecenclosures.com](http://www.pactecenclosures.com)

INSERT AREAS ARE SECTIONS IN OUR TOOLS  
 THAT CAN BE REMOVED AND REPLACED WITH  
 CUSTOMER SPECIFIC DETAILS

DRAWING NUMBER	REV
81541	A