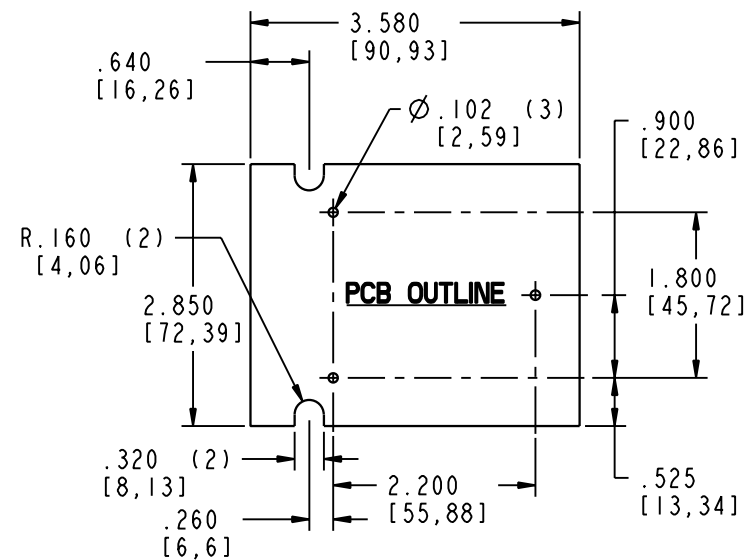
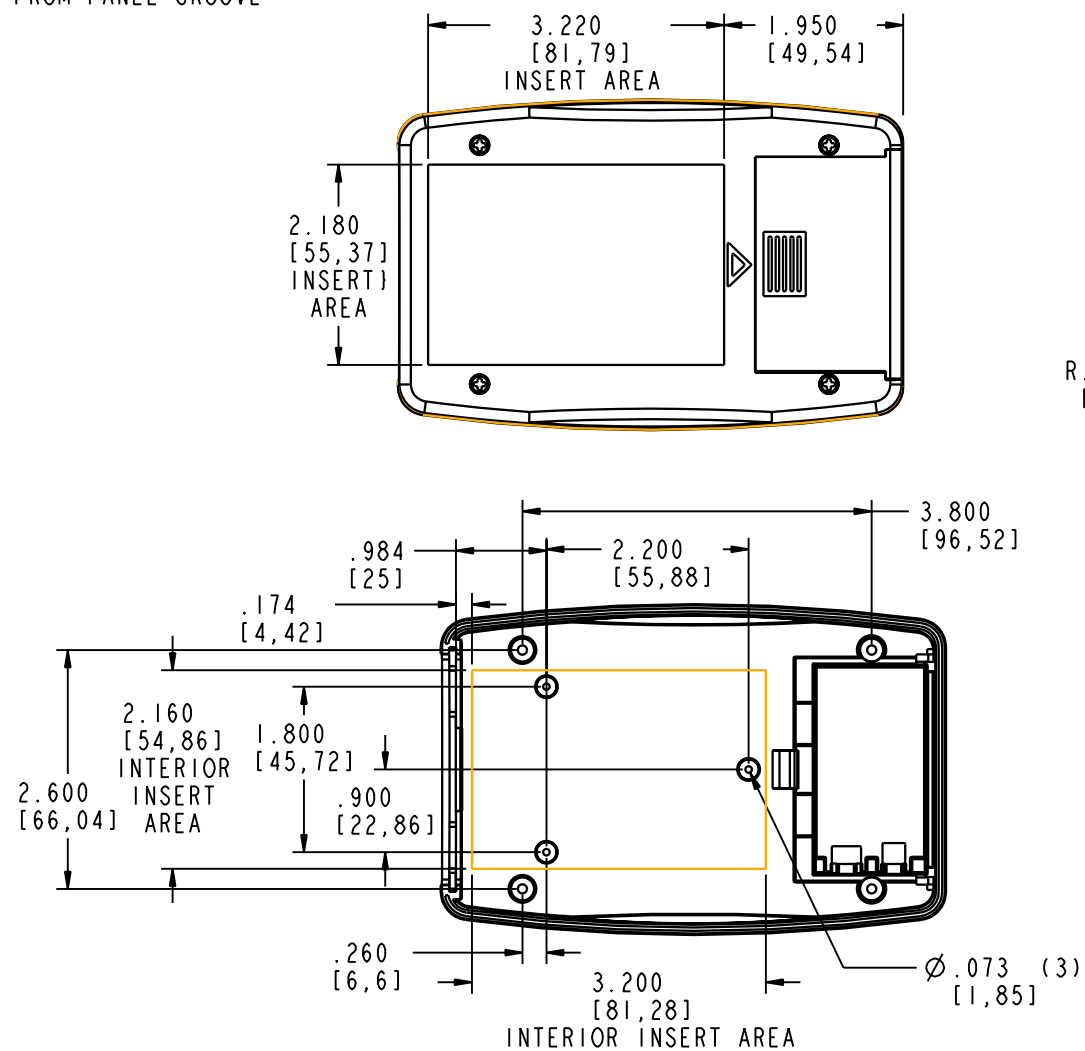
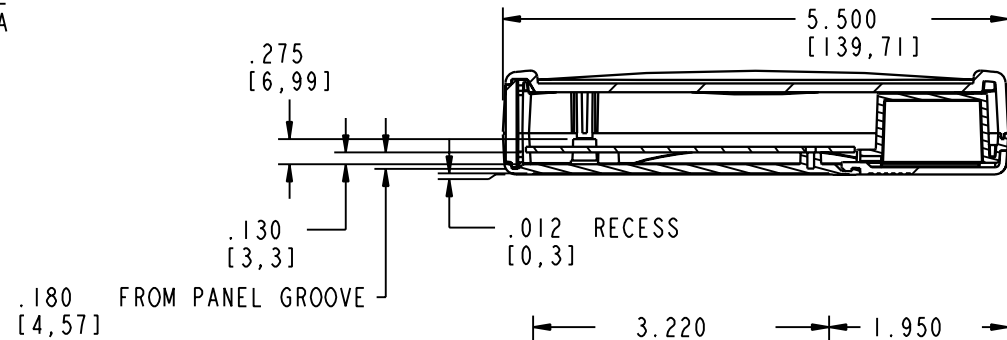


SECTION A-A
SCALE 1.000



SUGGESTED PCB MTG. SCREW
PHP #2B X 1/4 LG.
WITH A #2 PLASTIC WASHER.

PACINTEC[®]
1-610-361-4200

XP-9VB

VISIT **PACINTEC[®]**
ON THE WORLD WIDE WEB
www.pactecenclosures.com

COLOR / MATERIAL CODE		
COLOR	94HB	94VO
BLACK	000	028
P. C. BONE	039	060

DRAWING NUMBER	REV
81539	B