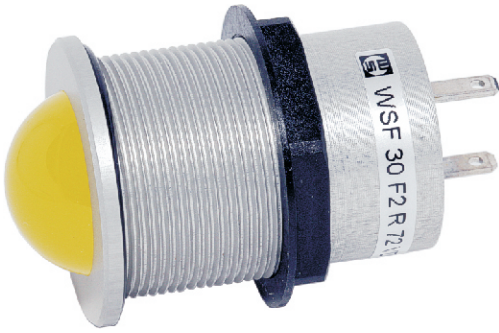




W. Schmid AG

LED-Technology
the visible difference

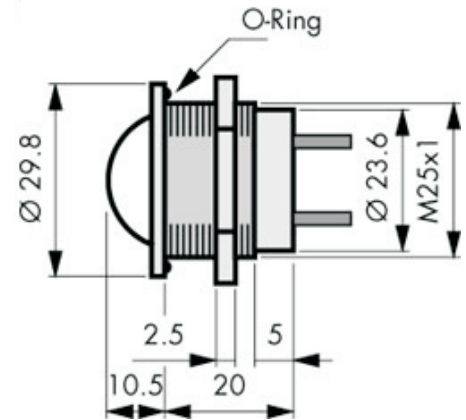
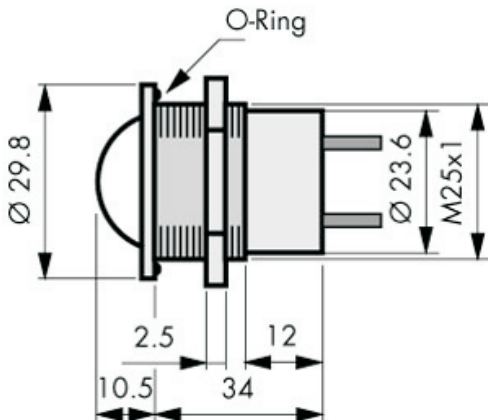
LED - Indicator WSF 30



WSF30 LED-indicator, 380 VAC, 115/230VAC (transformer)



WSF30 LED-indicator 5 - 230 VDC/VAC



Nut M25x1 / AF 27mm
O-ring 1.6mm

- this pilot lamp exceeds all expectations regarding quality, life span and brightness
- reliable LED technology - round LED, 30mm Ø
- different colors available (see separate color code table)
- long service life (half-life of >50`000 hours)
- resin encapsulation system - gas-tight and waterproof IP67
- grey anodized aluminum housing
- other housing colors or chrome and/or nickel plated aluminum housings as an option
- resistant against acids and vandalism
- alternatively with cast-in 1,2 mt connection cable or with screw connectors
- available for different supply voltages, low current consumption
- ambient temperature range -40 up to +85 °C
- for use in the chemical industry, railways, machine industry or mining industry

Technical specifications

Color	Wavelength
red	632nm
yellow	590nm
green	520nm
orange	605nm
blue	470nm
white	X = 0.31 / Y = 0.31

Current consumption

20 mA (12/24 VDC), 10 mA (115 VDC/VAC), 20 mA (230 VAC), 4 mA (380 VAC)

Operating and storage temperature

-40 °C up to +85°C

Standard options

Series

WSF = LED Indicator convex

Diameter

30 = 30mm

Terminals

F = faston terminals 2,8 x0,8mm

S = screw connectors

C = cable connection 1,2m

Color code

1 = red	6 = blue	10 = green-yellow
2 = yellow	7 = white	136 = red-green-blue
3 = green	8 = red-green	
4 = orange	9 = red-yellow	

Lens

C = colored

W = white opaque

Voltages

D = VDC 5 - 115 VDC

A = VAC 5 - 380 VAC, 115/230 VAC also available with T = transformer

Housing

A = standard aluminum, hard anodized, colorless

B = aluminum anodized, black

N = nickel plated aluminum

C = chrome plated aluminum

Nut

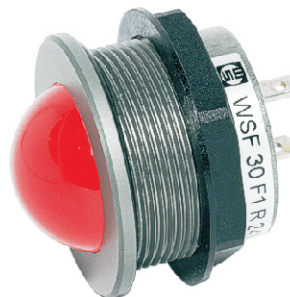
P = standard black plastic, glass fibre reinforced

M = metal nut, nickel plated brass

Ordering example

WSF 30 F1C 24 DAP

LED Indicator WSF 30, 30mm diameter, faston terminals 2,8 x0,8mm, red LED, red colored lens, 24 VDC, aluminum standard housing, plastic nut M25x1, O-ring NBR 70



Upon request

- other voltages
- common anode
- other connections
- flashing LED
- other housing colors

Manufacturer

W. Schmid AG
Dorfstrasse 23
5442 Fislisbach
Switzerland

Tel: +41 56 470 00 77 Fax: +41 56 470 00 74

E-mail: sales@led-lamps.ch URL: <http://www.led-lamps.ch>