



■ Features :

- Easy configuration & installation
- 6 protected output channels
- Independent dimming control on each channel
- Up to 128 wireless batteryless switches connected possible
- Built-in wire push dimming function\*
- Suitable for constant voltage lighting application
- Possible for constant current lighting application(optional)
- Multiple dimmer application via CANBus possible(optional)
- Up to 30 meter wireless distance
- 5 year warranty

■ Description :

WPD-06 is a wireless dimming device for 12/24V LED strips work with batterless switches with mounting plate which can be perfectly fitted into the wall in standard household application. No more dimming wire to be installed.

■ Benefits:

- Powered by any DC source between 10-32 VDC
- Work with EnOcean switches with no battery required
- Work with EnOcean switches with no maintenance required
- Standard wall mounting form factor for switches
- Cost saving solution due to no physical wire between dimmer and switch
- Excellent dimming experience compared to traditional AC mains dimming
- Possible for constant current lighting application(optional)
- Suitable for 2-way dimming switching home application e.g. staircase lighting



SELV



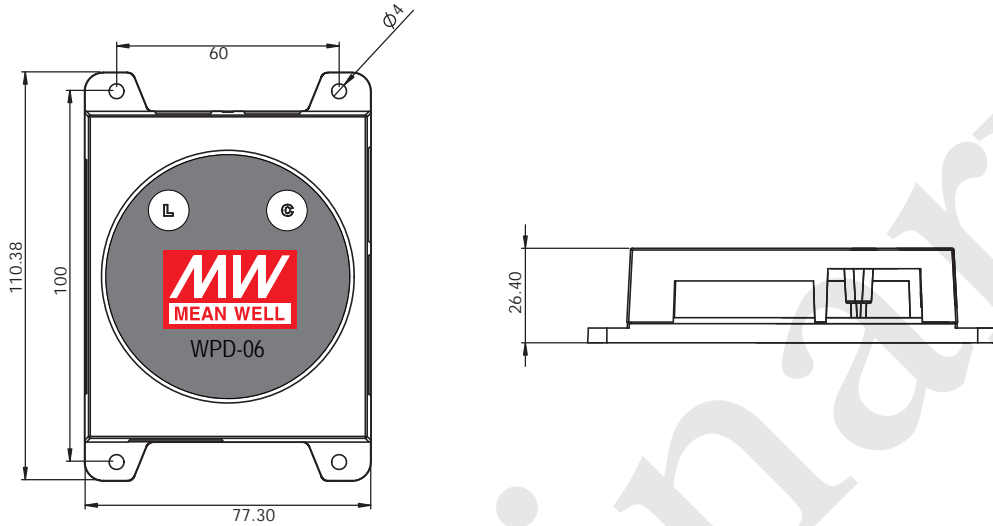
SPECIFICATION

| MODEL        |  | WPD-06  |
|--------------|--|---|
| OUTPUT       | DC VOLTAGE   | Depending on input voltage  |
|              | RATED CURRENT  | 4,5A each channel - 27A for the entire module   |
|              | RATED POWER  | 12V ~ 324W - 24V ~ 648W   |
|              | OUTPUT CHANNEL   | 6   |
|              | DIMMING  | 1 to 100%   |
|              | TERMINAL   | Clamping Spring disconnectable terminal for solid or stranded copper conductors 0,25 to 2,5mm <sup>2</sup>  |
| INPUT        | VOLTAGE RANGE  | 10- 32VDC SELV  |
|              | DC CURRENT   | 27A   |
|              | STANDBY POWER  | 1.2W(Typ.)  |
|              | TERMINAL   | Clamping Spring disconnectable terminal for solid or stranded copper conductors 0,25 to 2,5mm <sup>2</sup>  |
| PROTECTION   | OVERLOAD   | 150% rated output power for 300ms max.<br>Protection type : Electronic shut down rated at 5A. Restart by switching On again the output of channel |
|              | OVERVOLTAGE  | Transient protection starting at 33V  |
| FUNCTION     | WIRELESS CONTROL   | Use EnOCEAN wireless batteryless switches or actuators  |
|              | WIRELESS DISTANCE  | 30 meter(Typ.)  |
|              | FREQUENCY OPERATION  | 868MHz (other frequency available on request)   |
|              | WIRE CONTROL   | Push dimming  |
| EMVIRONMENT  | WORKING TEMP.  | -40 ~ +60°C   |
|              | WORKING HUMIDITY   | 20 ~ 90% RH non-condensing  |
|              | STORAGE TEMP., HUMIDITY  | -40 ~ +85°C, 10   |
| SAFETY & EMC | VIBRATION  | 10-500Hz, 2G 10min./1cycle, 60min. each along X, Y, Z axes  |
|              | SAFETY STANDARDS   | Design refer to EN61347-1, 61347-2-13, 61347-2-11   |
|              | EMC EMISSION   | Compliance to EN55015, ETSI EN300220-1, 300220-2, 301489-1, 401489-3  |
| OTHERS       | EMC IMMUNITY   | Compliance to EN61547   |
|              | MTBF   | 50 Khrs min.  |
|              | DIMENSION  | 110*77*26.4 mm (L*W*H)- Weight 0,120Kg  |
| NOTE         | 1. Do not wire push dimming inputs with an external voltage, especially not a mains voltage of 230 V . |   |

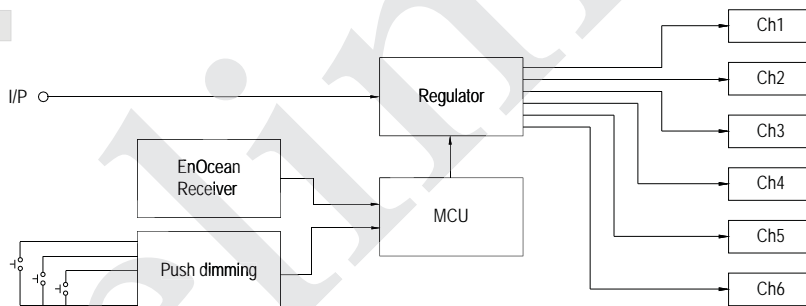
■ Mechanical Specification

Case No. WPD-06

Unit:mm



■ Block Diagram

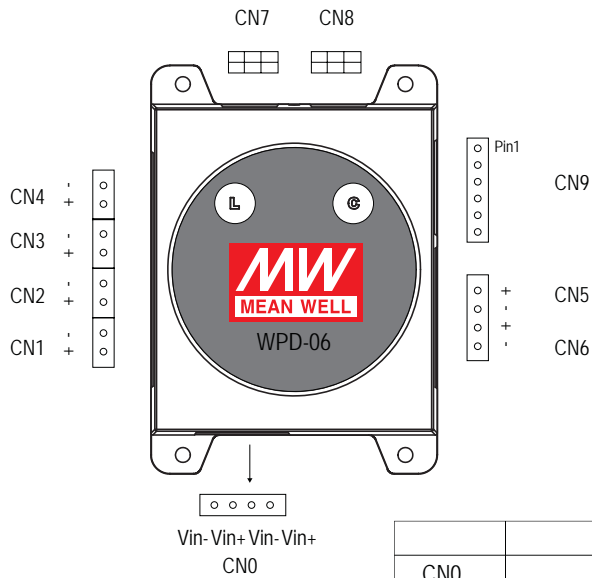


■ Batteryless wireless switch supplier

| Manufacturer | Model*                |
|--------------|-----------------------|
| Legrand      | 0 784 42              |
| Siemens      | 5WG4222-3AB10         |
| Berker       | 24121009              |
| Jung         | ENO A 595             |
| Busch-jaeger | EASYSSENS/ ENOCEAN    |
| Gira         | 2422 03               |
| Peha         | D 455/61.022 FU-BLS N |
| Eltako       | F4T65                 |
| VIMAR        | 20505+20506.B+21507.B |

\*: The model is only for reference. For more information please contact original supplier.

■ Connector description



CN9: Push dimming and other control Pin No. assignment

| Pin No. | Function                   |
|---------|----------------------------|
| 1       | Optional coding plug       |
| 2       | Ground                     |
| 3       | Bypass input(default open) |
| 4       | Push dimming               |
| 5       | Push dimming               |
| 6       | Push dimming               |

|     | Function                       | Matting connector                                    | Max. wire thickness |
|-----|--------------------------------|--|---------------------|
| CN0 | Vin                            | WAGO - 2092-1104/002-000<br>or 2092-1102/002-000 x 2 | 2.5mm <sup>2</sup>  |
| CN1 | Vout_channel1                  | WAGO - 2092-1102/002-000                             | 2.5mm <sup>2</sup>  |
| CN2 | Vout_channel2                  | WAGO - 2092-1102/002-000                             | 2.5mm <sup>2</sup>  |
| CN3 | Vout_channel3                  | WAGO - 2092-1102/002-000                             | 2.5mm <sup>2</sup>  |
| CN4 | Vout_channel4                  | WAGO - 2092-1102/002-000                             | 2.5mm <sup>2</sup>  |
| CN5 | Vout_channel5                  | WAGO - 2092-1102/002-000                             | 2.5mm <sup>2</sup>  |
| CN6 | Vout_channel6                  | WAGO - 2092-1102/002-000                             | 2.5mm <sup>2</sup>  |
| CN7 | N.C.                           |  |                     |
| CN8 | N.C.                           |  |                     |
| CN9 | Push dimming and other control | WAGO - 2091-1106/002-000                             | 1.5mm <sup>2</sup>  |

■ Dimmer button description

L (Learn) Button:

Pressing on this button enter the pairing mode. This is indicated by the first output blinking. Press L button again will jump to the next channel to pair and allow leaving the pairing mode after the seventh(7) press.

If no other action follow the first press, the dimmer come back to its normal mode after two minutes.

C (Clear) Button:

In pairing mode, a long press (1.5sec) on the C button erases the pairing of the blinking output.

In normal mode, a long press (1.5sec) on the C button erases the 6 outputs of the dimmer and it will automatically enter the pairing mode on Channel 1. Press L button 6 times to exit the pairing mode.

Remark: It is also possible to erase one switch from one channel (without erasing the other wireless batteryless switches paired on this output)

**Installation & Pairing**

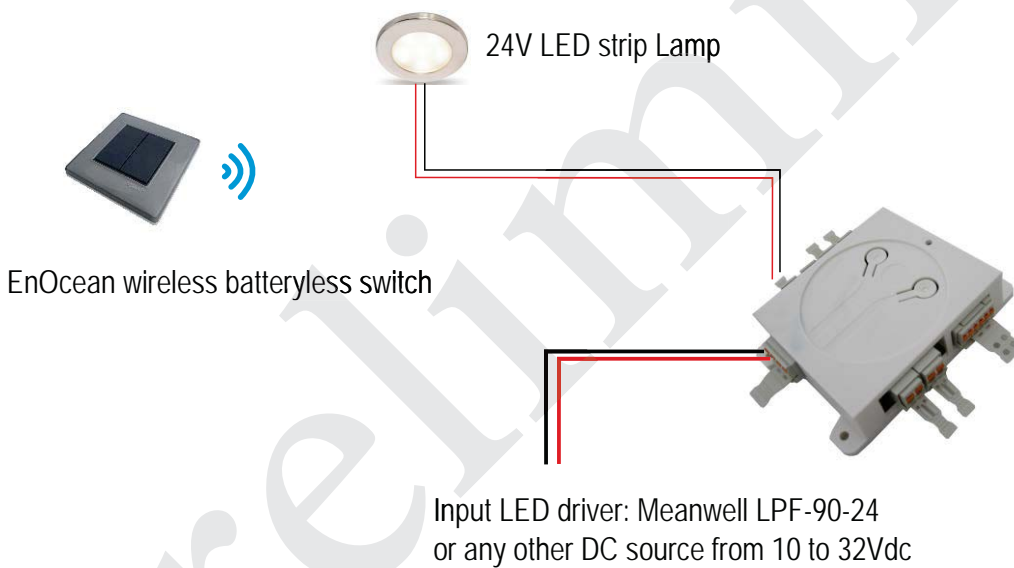
1. Connect a 10-32V DC power/driver to CNO using plug.
2. Connect at least one LED strip lamp to any channel using plug.

The following steps is assumed that one LED strip lamp connected to Channel 1 (CN1):

- 1) Long press L button on dimmer and LED connected to Channel 1 is now blinking. It means now Channel 1 is at pairing mode.
- 2) Press on wireless batteryless switch to pair it. First press on switch is set to turn on Channel1. Second press on switch is set to turn off Channel1. The LED is blinking again.  
Now this wireless batteryless switch is paired with Channel 1. In case there is another switch needs to be paired, re-do the step 2).
- 3) Press L button on dimmer. The pairing is now moving to Channel 2. Any LED connected to Channel 2 is now blinking.
- 4) Press L button on dimmer. The pairing is now moving to Channel 3. Any LED connected to Channel 3 is now blinking.
- 5) Press L button on dimmer. The pairing is now moving to Channel 4. Any LED connected to Channel 4 is now blinking.
- 6) Press L button on dimmer. The pairing is now moving to Channel 5. Any LED connected to Channel 5 is now blinking.
- 7) Press L button on dimmer. The pairing is now moving to Channel 6. Any LED connected to Channel 6 is now blinking.
- 8) Press L button on dimmer to finish the pairing.
- 9) Now the system is set and ready to control the LED lamp on channel 1.

Dimming function:

Press the wireless batteryless switch to turn on the LED.  
Press again and hold it till the light is dimmed to the level as request.  
Release the switch.



**Demo Kit**

Order code: WPD-06KIT

It contains the following:

|    | Item  | Quantity |
|----|---|----------|
| 1) | WPD-06 dimmer                                   | 1        |
| 2) | EnOcean wireless batteryless 2 Key (4 switches) | 1        |
| 3) | WAGO - 2092-1102/002-000 plug                   | 8        |



EnOcean wireless batteryless 2 Key (4 switches)