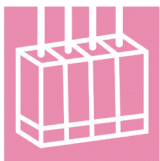




... a link to the future



Product Information

VS 80A Multiband amplifier VHF-UHF, FM



WISI MINI LINE

- 4 x inputs 2 x UHF, VHF III, VHF I, FM
- Adjustable input level
- Power indicator
- F-type connector
- Wall mounting

VS 80A Multiband amplifier VHF-UHF, FM

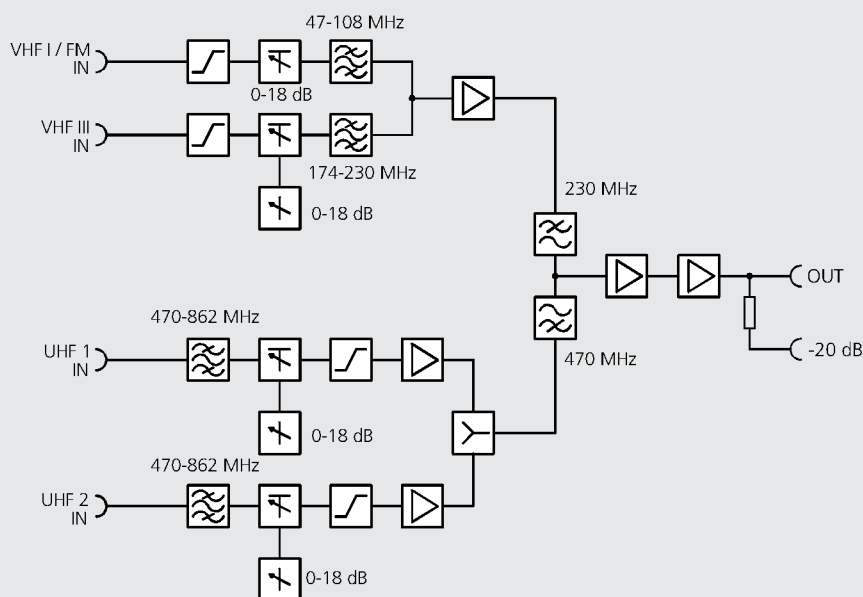
Specifications

Frequency range			
Input 1	VHF I / FM	87-108 MHz	
Input 2	VHF III	174-230 MHz	
Input 3	UHF 1	470-862 MHz	
Input 4	UHF 2	470-862 MHz	
Max. gain			
Input 1	VHF I / FM	max. 38 dB	
Input 2	VHF III	max. 37 dB	
Input 3	UHF 1	max. 42 dB	
Input 4	UHF 2	max. 42 dB	
Input level adjustable			0 - 18 dB
Distorsion products @ 60 dB IMA 3rd order			
Input 1	VHF I / FM	120 dB μ V + 2 dB μ V	
Input 2	VHF III	120 dB μ V + 2 dB μ V	
Input 3	UHF 1	119 dB μ V + 2 dB μ V	
Input 4	UHF 2	119 dB μ V + 2 dB μ V	

Generals

RF-input / output	75 Ω / F
Power supply	230 VAC 50/60 Hz
Power consumption	max.3,5 W
Ambient temperature	-20°C...+55°C
Storage temperature	-25°C...+75°C
Max. humidity non condensing	95 %
Dimensions	163 x 117 x 52 mm

Blockdiagram



WISI Communications GmbH & Co. KG
 Empfangs- und Verteiltechnik
 P.O. BOX 1220
 75219 Niefern-Oeschelbronn, GERMANY
 Phone +49(0)7233/66-280
 Fax +49(0)7233/66-350
 www.wisi.de
 export@wisi.de

Technical Modifications reserved. WISI cannot be held liable for any printing error!
 084 008 / 03.07

... a link to the future