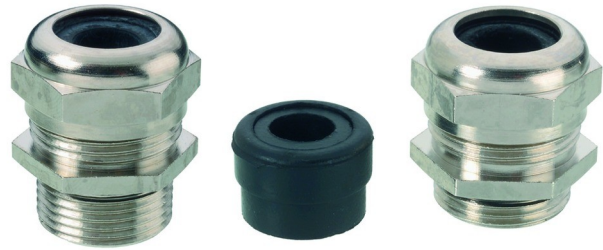


WADI cable gland

1010xx

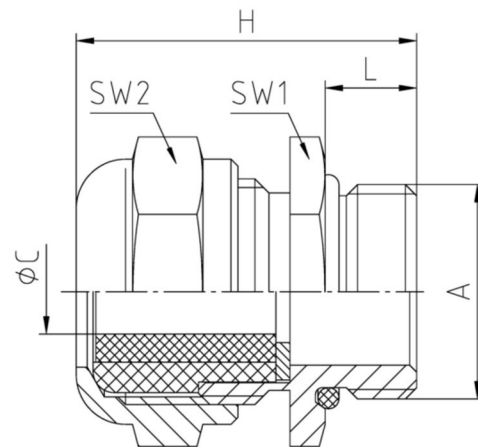
Configuration

Dome nut	Brass CuZn39Pb3, nickel-plated
Sealing insert	Polychloroprene-Nitrile rubber CR/NBR
Washer	Brass, nickel-plated
Gland body	Brass CuZn39Pb3, nickel-plated
O-ring	Nitrile rubber
Connecting thread	Pg as per DIN 40430




Properties

Temperature range	-30°C +110°C	<ul style="list-style-type: none"> • wide sealing range • easy-to-install
Protection grade	IP65	




Features

Connecting thread standard length

A	ØC	L	SW1	SW2	H		Part No.
	mm	mm	mm	mm	mm	Piece	
Pg 7	4 - 6,5	6	14	14	21,5	100	101007
Pg 9	5 - 10	6,5	18	18	24	100	101009
Pg 11	7 - 11,5	6	20	20	24,5	50	101011
Pg 13,5	8 - 15	6	24	24	27,5	50	101013
Pg 16	8 - 15	6	24	24	27,5	50	101016
Pg 21	13 - 20	7,5	32	32	30,5	50	101021
Pg 29	18 - 25,5	8	38	38	32	25	101029
Pg 36	27 - 34,5	8	50	50	35	10	101036
Pg 42	38 - 44,5	10	58	58	40	5	101042
Pg 48	40 - 48,5	11	64	64	46	5	101048

Connecting thread long

A	ØC	L	SW1	SW2	H		Part No.
	mm	mm	mm	mm	mm	Piece	
Pg 7	4 - 6,5*	10	14	14	25,5	100	111107
Pg 9	5 - 10	10	18	18	27,5	100	111109
Pg 11	7 - 11,5	10	20	20	28,5	50	111111
Pg 13,5	8 - 15	10	24	24	31,5	50	111113
Pg 16	8 - 15	10	24	24	31,5	50	111116
Pg 21	-	12	32	32	35	50	111121
Pg 29	-	12	38	38	36	25	111129
Pg 36	-	15	50	50	42	10	111136

* one-piece sealing insert