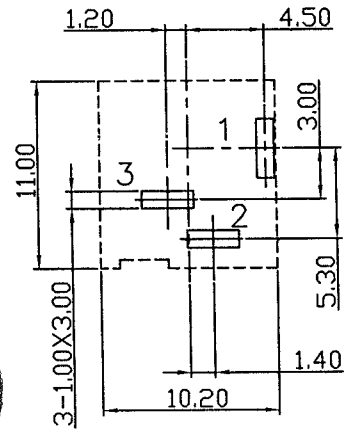
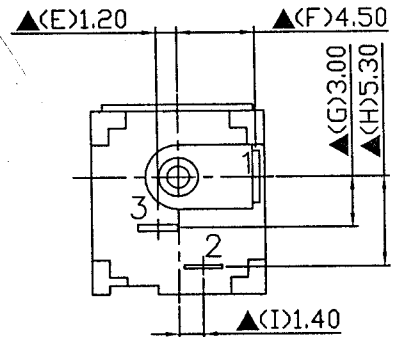
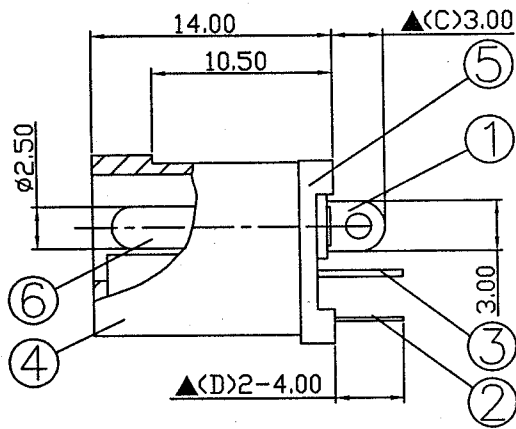
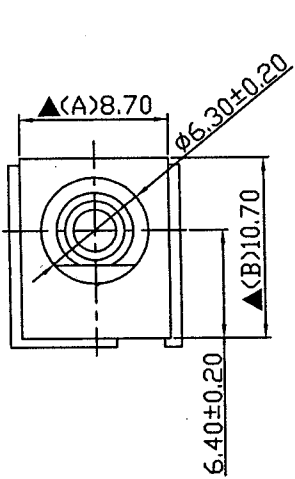
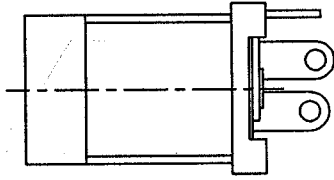


SCHEMATIC	
MODEL NO	C



旭全
精密工業(深圳)有限公司
2004.5.02
圖面發行

文管
中心發行
2004.5.02

6.	Pin(2.5φ)	Copper	1	Nickel Plated
5.	Cover	PBT	1	Black Color
4.	Housing	PBT	1	Black Color
3.	Break Terminal	0.4T Brass	1	Silver Plated
2.	Sleeve Spring	0.25 Phosphor Bronze	1	Silver Plated
1.	Pin Terminal	0.4T Brass	1	Silver Plated
NO.	Description	Material	Q'TY	Finish

SPECIFICATIONS:
 See "Details of Environment-Related Substance"
 Contact Resistance : 30mΩ max
 : 100mΩ min. at DC 500V
 Dielectric Withstand Voltage : AC 500V for one minute
 Remark: ▲: The Most Important Dimension

S.C. PRECISION INDUSTRIAL CO., LTD. 旭全	DATE	DWN	CHKD	APVD	MANAGER
	04.23.2004	陳麗群			
PART NAME :DC POWER JACK		PART NUMBER: SCD437DCS000000(4.5)			VERSION:3.0
TOLERANCE :±0.3mm UNLESS OTHERWISE SPECIFIED			UNIT:mm		SCALE:1/1