

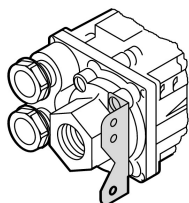


**Wall fixing bracket, for pressure switch**

**Part no.** W-MCS  
**Catalog No.** 050665  
**Eaton Catalog No.** MCSX-W  
**EL-Nummer** 0004356154  
**(Norway)**

**Delivery program**

Product range			Accessories
Basic function			Wall fixing bracket
			Article no. when ordered separately
For use with			MCS, MCSN



**Notes**

Wall mounting bracket can be rotated to right or left by 90°

**Design verification as per IEC/EN 61439**

Technical data for design verification			
Operating ambient temperature min.		°C	-25
Operating ambient temperature max.		°C	70

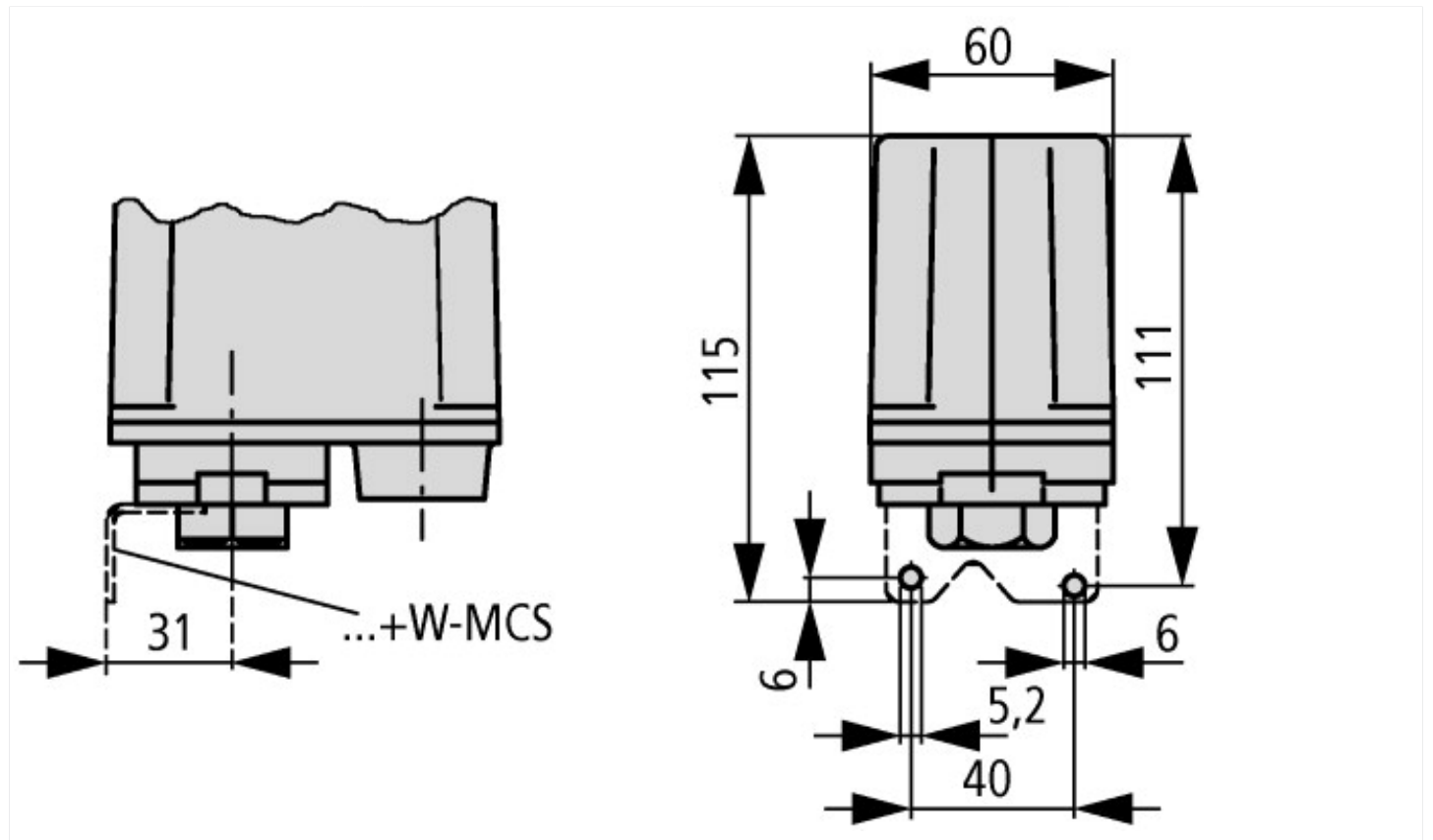
**Technical data ETIM 7.0**

Low-voltage industrial components (EG000017) / Accessories for low-voltage switch technology (EC002498)			
Electric engineering, automation, process control engineering / Low-voltage switch technology / Component for low-voltage switching technology / Component for low-voltage switch technology (accessories) (ecl@ss10.0.1-27-37-13-92 [AKN570013])			
Type of accessory			Other

**Approvals**

Product Standards			CSA-CC22.2 No. 14
CSA File No.			12528
CSA Class No.			3211-06
North America Certification			CSA certified

## Dimensions



## Additional product information (links)

IL05212001Z (AWA1320-0132) Pressure switch

IL05212001Z (AWA1320-0132) Pressure switch [ftp://ftp.moeller.net/DOCUMENTATION/AWA\\_INSTRUCTIONS/IL05212001Z2018\\_05.pdf](ftp://ftp.moeller.net/DOCUMENTATION/AWA_INSTRUCTIONS/IL05212001Z2018_05.pdf)