



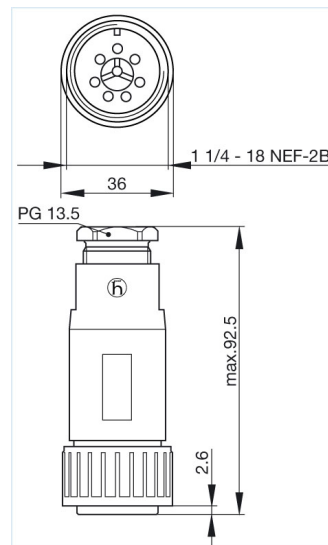
## CM 06 EA 20-7 S

Industrial Connectors:Circular connector CM-series:Cable socket

### Product description

Description	Straight cable socket, strain relief by means of a clamping cage
Type	CM 06 EA 20-7 S
Order No.	932 842-100
Number of contacts	8
Cable gland	PG 13,5
Cable diameter	10 mm to 12 mm
Conductor size	max. 1.5 mm <sup>2</sup>
Standard	MIL-C 5015 bzw. VG 95 342
Housing Color	black

### Drawing



### Technical data

Pin dimensions	1.6 mm
Rated voltage	50 V AC/DC
Rated current	10 A
Contact resistance	≤ 5 mOhm
Type of termination	solder
Shell size	20

### Material

Contact surface material	Ag
Contact bearer material	PA 66-GF 25
Housing material	PA 66-GF 25
O-Ring	NBR

### Environmental conditions

Protection class (IEC 60529)	IP 67
Pollution severity	3
Temperature range	-40 °C to +90 °C

### Inflammability class

Flammability, UL standard	94 V-1
<b>Packing unit</b>	
Packaging unit	100 pieces
<b>Scope of delivery and accessories</b>	
Scope of delivery	1 cable socket, not assembled, assembly instructions
Accessories to order separately	can be plugged into CM 02 E 20-7 P; cap CM 06 SD 20, order no. 831 767-100