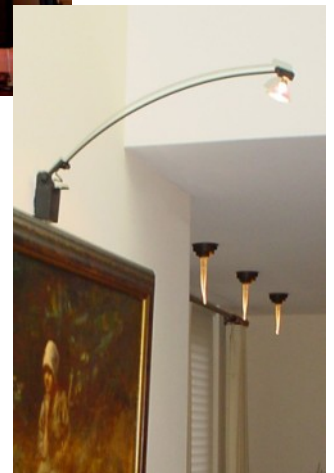
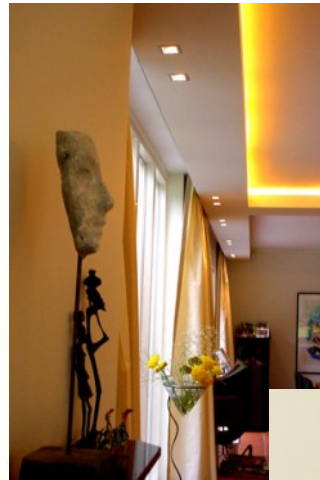
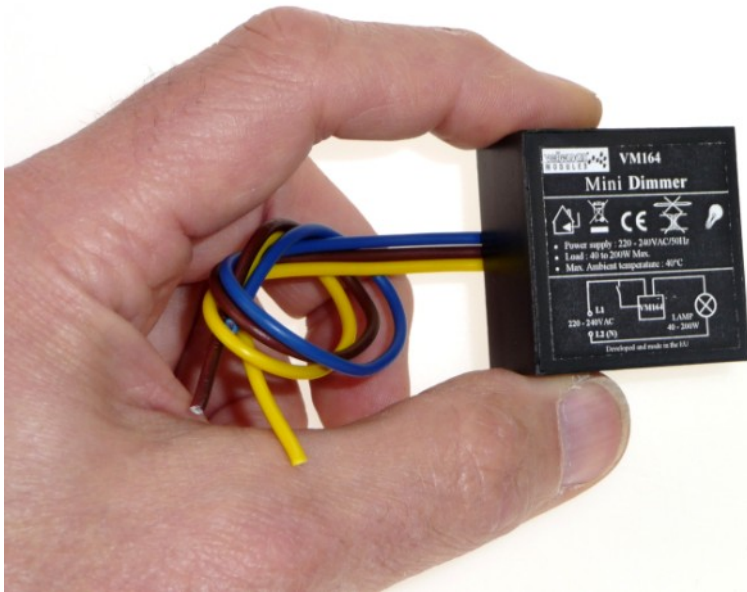


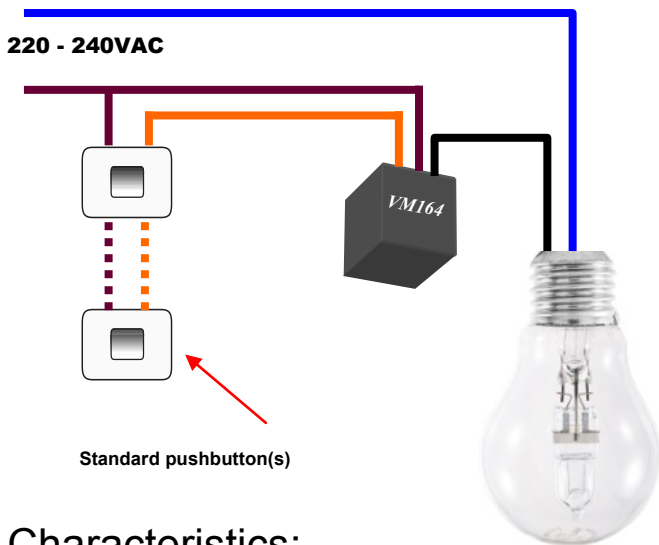


## Mini DIMMER with pushbutton control

## VM164



### wiring diagram



***“This mini dimmer fits easily into your existing electrical wiring. Just put in series and add one or more pushbuttons and you are set”***

### Characteristics:

- ☑ Microcontroller circuit, fit for incandescent lamps, mains halogen lamps and the new energy saver halogen lamps.
- ☑ Install the module in the (existing) lighting circuit, just add one or more pushbuttons.
- ☑ Soft-start function prolonging the lamps' lifespan.
- ☑ Installs behind switch, sealing, inside lamp fixture...

### Specifications:

- Power supply: 220-240V AC (50Hz)
- Load: 40 to 200W max.
- Dimming speed (0 -> max.): 5 sec
- Dimensions: 40 x 40 x 20 mm.
- Total weight: +/- 70 gr.
- Radio and TV interference suppression
- Max. ambient temperature: 40°C

