

# Load Cell - AS8C Series



- Alloy steel IP67 beam load cell
- Adhesive sealed
- Suitable for platform weighing, bed weighing, etc.
- High accuracy, high reliability

Capacity	Accuracy	Type	Part-Number
100 kg	C3	Bending	AS8C-C3-100kg-4B
250 kg		Bending	AS8C-C3-259kg-4B
500 kg		Shear	AS8C-C3-500kg-4B
1t		Shear	AS8C-C3-1.0t-4B
1.5t		Shear	AS8C-C3-1.5t-4B
2t		Shear	AS8C-C3-2.0t-4B
2.5t		Shear	AS8C-C3-2.5t-6B
3t		Shear	AS8C-C3-3.0t-6B
5t		Shear	AS8C-C3-5.0t-6B
10t		Shear	AS8C-C3-10t-6B



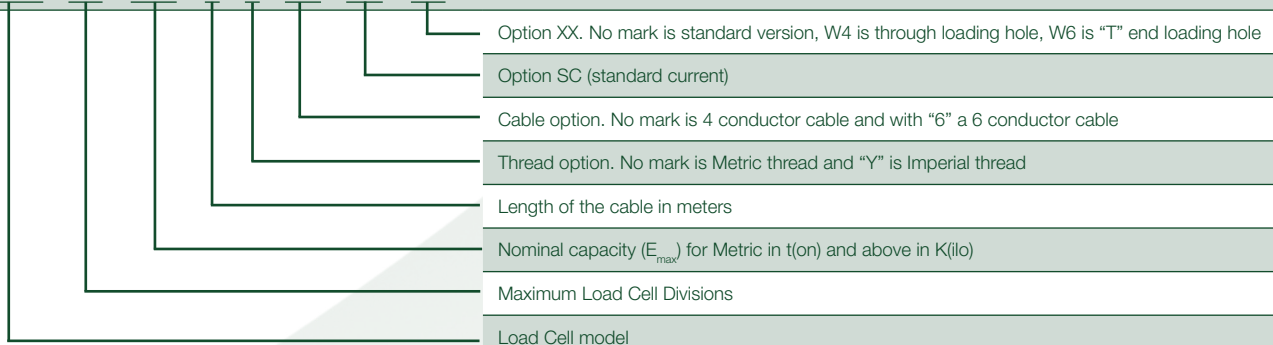
## Specification:

Accuracy class	C3	
Output sensitivity	mV/V <sup>1</sup>	3.0 ± 0.003 <sup>1</sup>
Nominal capacity ( E <sub>max</sub> )	t <sup>2</sup>	0.1, 0.25, 0.5, 1, 1.5, 2, 2.5, 3, 5, 10
Maximum number of load cell intervals ( n <sub>LC</sub> )		3000
Ratio of minimum LC verification interval Y = E <sub>max</sub> / v <sub>min</sub>	Y	10000
Combined Error	%FS	≤ ± 0.023
Minimum dead load	t	0
Safe overload	of E <sub>max</sub>	150 %
Ultimate overload	of E <sub>max</sub>	300 %
Zero balance	of FS	≤ ± 1.0 %
Excitation, recommended voltage	V AC/DC	5 - 12
Excitation maximum	V AC/DC	18
Input resistance	Ω	350 ± 3.5
Output resistance	Ω	350 ± 3
Insulation resistance	MΩ	≥ 5000 ( at 50VDC )
Temperature range, compensated	°C	-10 ...+40
Temperature range, operating	°C	-35 ... +65
Element material		Alloy steel, nickel plated
Recommended torque on fixation bolts	Nm	M12: 100; M18: 200; M24: 700

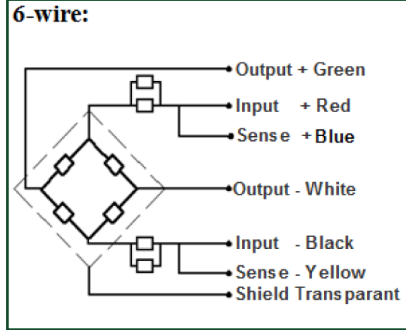
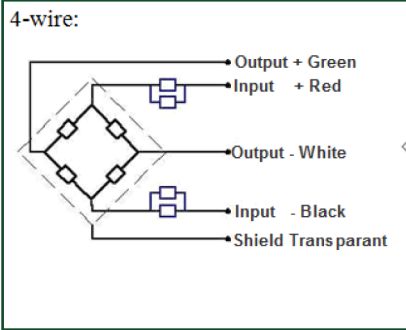
Note 1: Current calibration (SC) is optional. Note 2: Imperial capacities also available.

## Ordering information:

AS8C - C3 - 1.0t - 4 - - BX - SC - XX



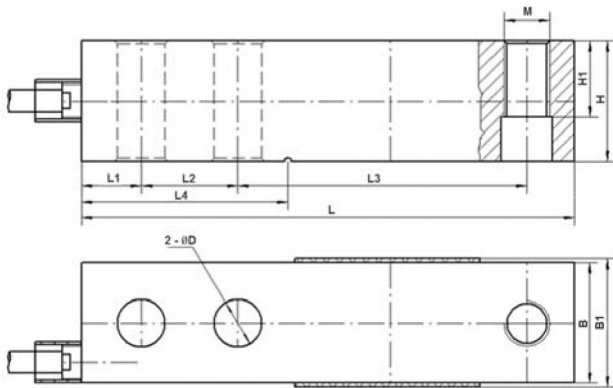
## Wiring:



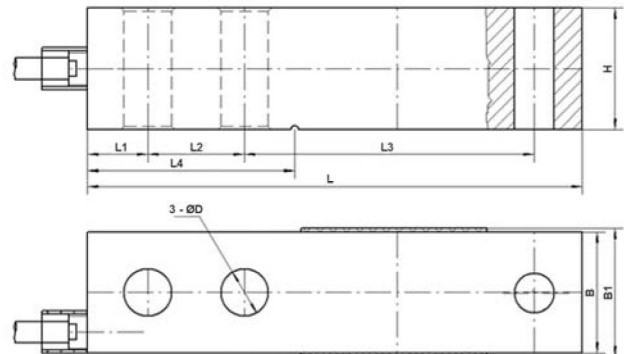
- Shielded, 4 conductor cable:  $\varnothing$  5mm
- Standard cable length: 4m up to 2t and 6m for the higher capacities
- Shield in not connected to the element
- Cable type and length can be changed on customer's request

## Outline dimensions in mm

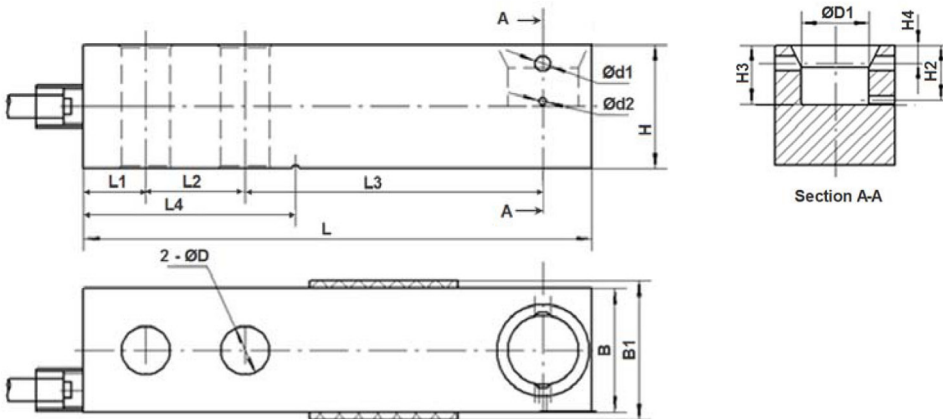
### Standard version



### Option W4 (through loading hole)



### Option W6 ("T" end loading hole)



Capacity	L	L1	L2	L3	L4	B	B1	H	H1	H2	H3	H4	ØD	ØD1	Ød1	Ød2	M
0.1t - 2t	130	15.8	25.4	76.2	54.2	31.8	34	31.8	15.8	14.5	15.8	4.8	13.5	18	4	2	M12x1.75
2.5t - 5t	171.5	19.1	38.1	95.3	77.2	38.1	40	38.1	18.8	17.5	18.8	4.8	19.8	25	4	2	M18x1.5
10t	222.3	25.4	50.8	120.7	101.6	50.8	52.4	50.8	25.4				26				M24x2
20Klb	222.3	25.4	50.8	120.7	101.6	50.8	52.4	50.8	25.4				26				1-12UNF