

Load Cell - AL6B Series

- Aluminium-Alloy IP65 single point load cell
- Colourless anodized
- Maximum platform size: 200 x 200 mm
- Suitable for pricing scales, bench scales, etc.

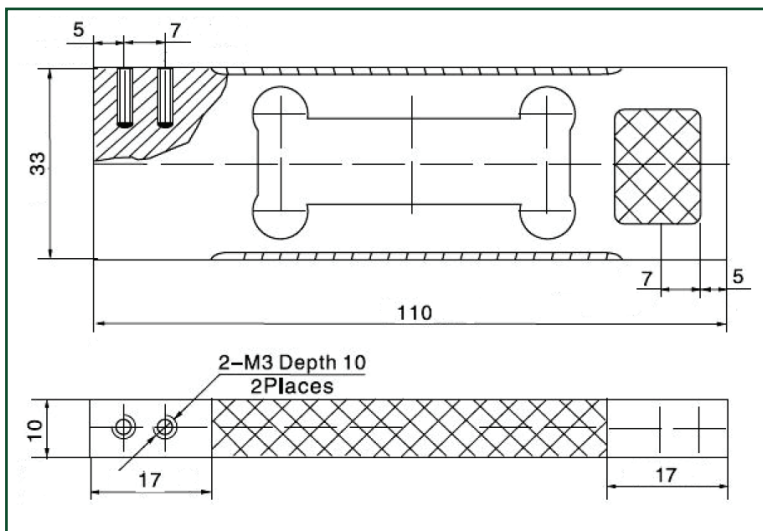


Capacity	Accuracy	Part-Number
0.3 kg	H	AL6B-H-0.3kg-0.4B
0.6 kg	H	AL6B-H-0.6kg-0.4B
1.0kg	H	AL6B-H-1.0kg-0.4B
1.2 kg	H	AL6B-H-1.2kg-0.4B
1.5 kg	H	AL6B-H-1.5kg-0.4B
3.0 kg	H	AL6B-H-3.0kg-0.4B

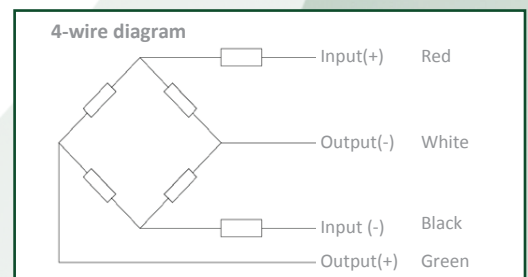
Specification

Accuracy class	H	
Output sensitivity (= FS)	mV/V	0.9 ± 0.1
Maximum capacity (E _{max})	kg	0.3, 0.6, 1.0, 1.2, 1.5, 3
Linearity	%FS	≤± 0.012
Hysteresis	FS	≤± 0.012
Repeatability	%FS	≤± 0.012
Temperature effect on minimum dead load output	%FS/10°C	≤± 0.020
Creep error (2 minutes)	%FS	≤± 0.005
Eccentric loading error	%	≤± 0.0200
Minimum dead load	Of E _{max}	0%
Safe overload	Of E _{max}	120 %
Ultimate overload	Of E _{max}	150 %
Zero balance	of FS	< ± 2.0 %
Excitation, recommended voltage	V	5 ~ 12
Excitation maximum	V	18
Input resistance	Ω	406 ± 6
Output resistance	Ω	350 ± 3
Insulation resistance	MΩ	≥5000 (at 50VDC)
Compensated temperature	°C	-10...+40
Operating temperature	°C	-20...+50
Storage temperature	°C	-30...+60
Element material	Aluminium	
Ingress Protection (acc. to EN 60529)	IP65	

Outline dimensions in mm



Wiring



- Shielded, 4 conductor cable
- Cable diameter: Ø3mm
- Standard cable length: 0.40m
- Shield not connected to element
- Cable jacket in PVC