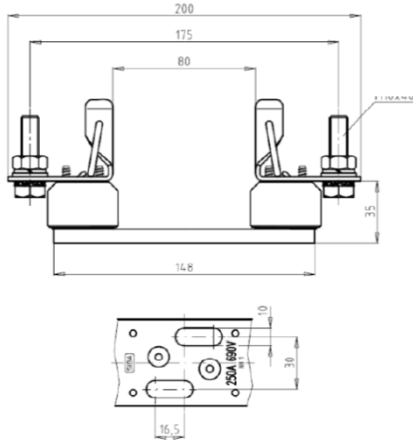


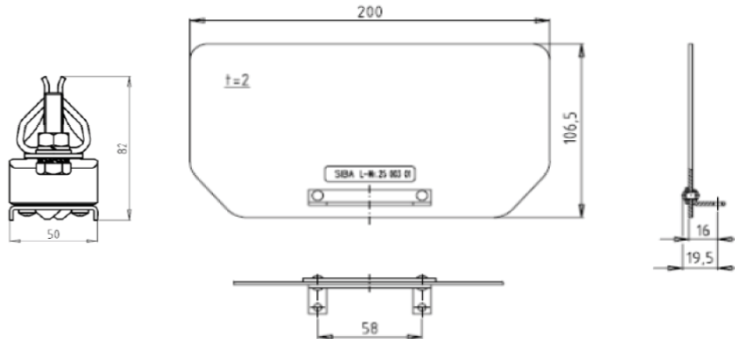
URM	Rated Voltage	Accessories				Standard(s)		
NH 1	690V_{AC}-IEC	Fuse Bases				DIN 43620		
						IEC 60 269-2		

Fuse Size	Fuse Base Article No.	Rated Current [A]	Rated Power Acceptance [W]	Weight [kg/1]	Units per Package	External Wall Article No.	Partition Wall Article No.	Insulating Contact Covers Article No.
1 - Pole	2100301	250	32	0.72	1	2500301	2100303.30	2100301.26
3 - Pole	2100303			2.31				

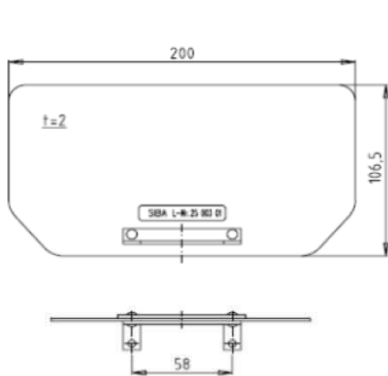
Parallel installation of single pole fuse bases, distance between centers ≥ 58 mm.



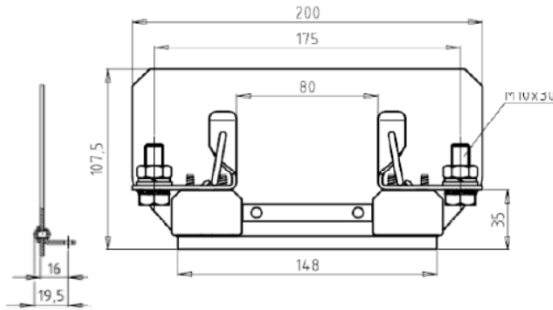
2100301



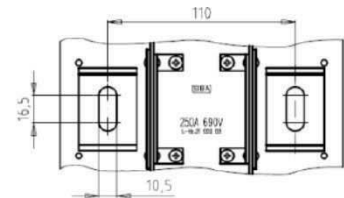
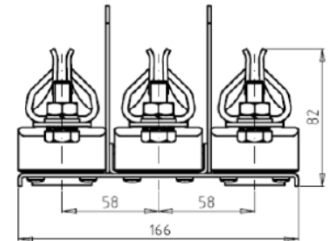
2500301



21 003 03.30



21 003 03
with two partition walls



2100301.26

Maximum Torque	
Fuse base mounting	- 20N•m
Cable connection	- 32N•m

