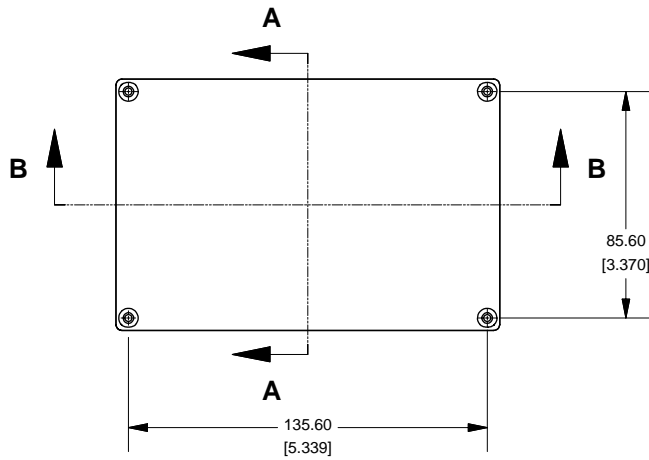
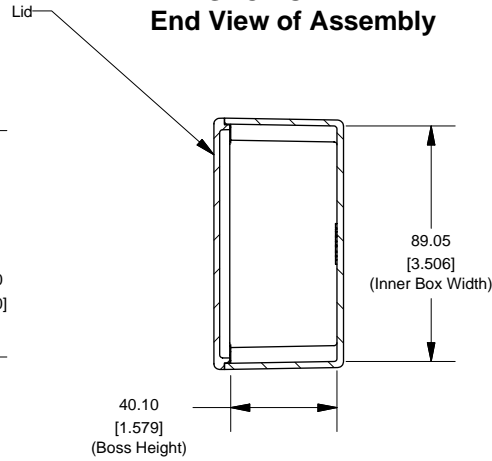


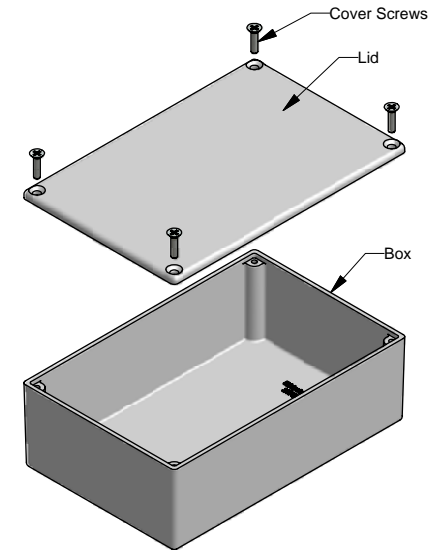
Top View of Assembly



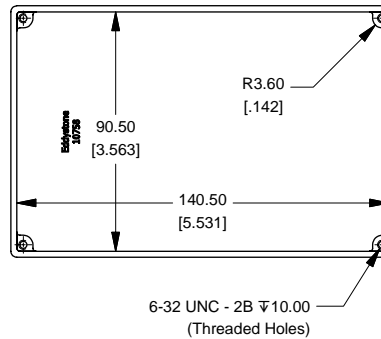
**SECTION A-A
End View of Assembly**



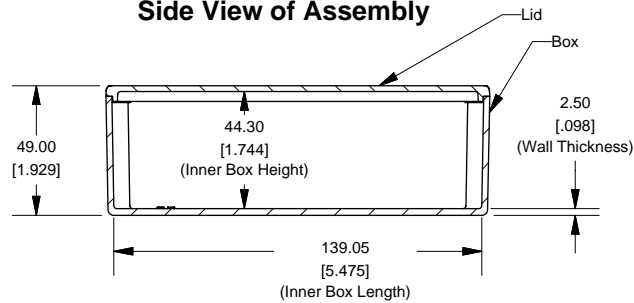
Series 1590J (Basic)



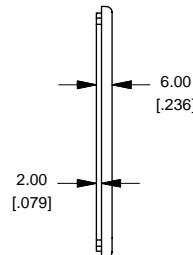
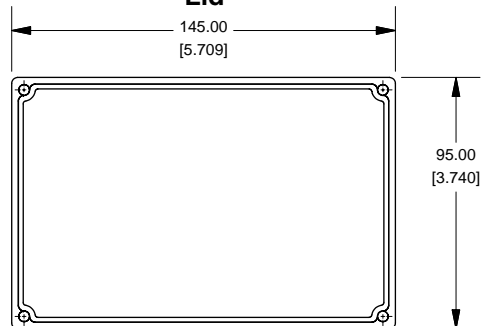
Top View Looking Inside Box



**SECTION B-B
Side View of Assembly**



Lid



NOTE

Purchased assembly includes box, lid and 4 cover screws.
Box and lid are made from Diecast Aluminum Alloy (alloy type 360.1).

PART NUMBERS

1590J Enclosure	
Unfinished	1590J
Black Textured Powder Paint	1590JBK
1590J Liquid Resistant Enclosure (Silicon Factory Installed Gasket)	
Unfinished	1590WJ
Black Textured Powder Paint	1590WJBK
ACCESSORIES	
Unfinished	
Cover Screws (Pkg 100) [6-32 x 1/2" Nickel Plated Screws]	1590MS100
Black Textured Powder Paint	
Cover Screws (Pkg 50) [6-32 x 1/2" Stainless Steel Black Screws]	1590MS50BK

