

Flashing lights 10joules/5joules



PB2010, PB2005, PMB2010

PB 2010 / PB 2005 / PMB 2010

The enhanced classic flashlight for indoor and outdoor application - now with even better performance:

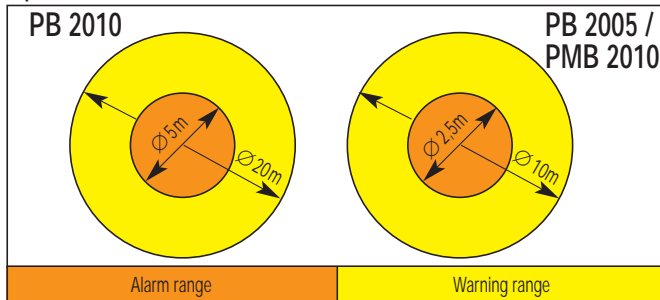
- higher degree of fail-safe and longer service life due to full on board electronics
- various mounting arrangements - cable feed-through from the side or from underneath
- extremely safe and reliable

PMB 2010

- alternatively three different flashing combinations with a high flashing cycle to gain more attention
- flashing combination (in 24V DC) controlled externally
- very bright, due to 10 J total flashing energy in the impulse group

IP 55	EN 842	+55 °C -30 °C	+70 °C -40 °C	90%
Protective system *	Standard	Operational temperature	Storage temperature	Relative humidity

Optical data:



Light intensity (DIN 5037) PB2010:	
clear	118 candela
white	83 cd
yellow	79 cd
amber	65 cd
red	16 cd
green	32 cd
blue	15 cd

Light intensity (DIN 5037) PB2005/PMB2010:	
clear	44 candela
white	31 cd
yellow	33 cd
amber	26 cd
red	9 cd
green	28 cd
blue	8 cd

Flashing sequence (PB 2010 / PB 2005):	1 Hz = 60 flashes/min
Service life:	after 8.000.000 flashes still 70% light emission
Duty cycle:	100%

Electrical data: **AC** 50Hz/60Hz

Nominal voltage	Electrical data	PB 2010	PB 2005	PMB 2010
230V	Voltage range: Rated current:	185V...255V 0,11A	185V...255V 0,055A	185V...253V
110V	Voltage range: Rated current:	90V...135V 0,22A	90V...135V 0,11A	90V...135V
42V	Voltage range: Rated current:	35V...50V 0,33A	35V...50V 0,18A	
24V	Voltage range: Rated current:	20V...30V 0,58A	20V...30V 0,22A	
127V	Voltage range: Rated current:		110V...148V 0,115A	
48V	Voltage range: Rated current:		40V...54V 0,16A	
12V	Voltage range: Rated current:		9V...15V 0,65A	

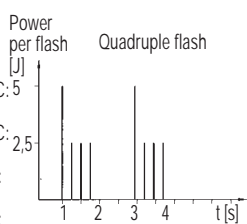
DC

Nominal voltage	Electrical data	PB 2010	PB 2005	PMB 2010
12V	Voltage range: Rated current: Rated power:	10V...15V 1,1A 13,2W	10V...15V 0,51A 6,1W	
24V	Voltage range: Rated current: Rated power:	18V...30V 0,55A 13,2W	18V...30V 0,23A 5,6W	18V...30V
48V	Voltage range: Rated current: Rated power:	40V...60V 0,3A 14,4W	40V...60V 0,15A 7,2W	40V...60V
60V	Voltage range: Rated current: Rated power:	50V...72V 0,21A 12,6W	50V...72V 0,12A 7,5W	
80V	Voltage range: Rated current: Rated power:	64V...96V 0,15A 12,8W	64V...96V 0,10A 8,4W	

Flashing sequence PMB 2010:

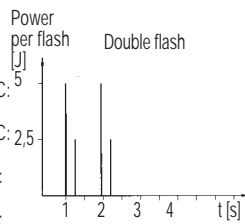
Quadruple flash 120 flashes/min

current consumption 230V AC: 0,055 A
current consumption 110V AC: 0,13 A
current consumption 48V DC: 0,22 A
current consumption 24V DC: 0,45 A



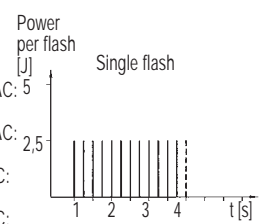
Double flash 120 flashes/min

current consumption 230V AC: 0,6 A
current consumption 110V AC: 0,14 A
current consumption 48V DC: 0,25 A
current consumption 24V DC: 0,5 A



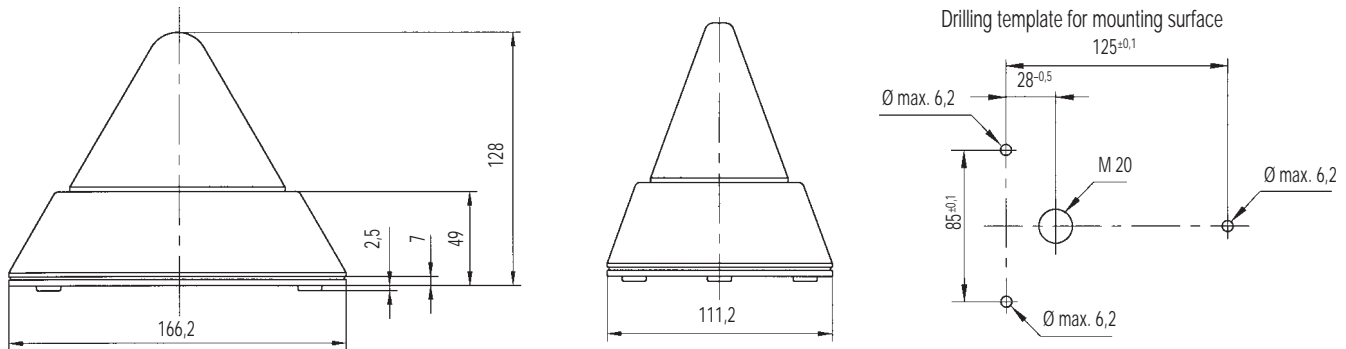
Single flash 240 flashes/min

current consumption 230V AC: 0,09 A
current consumption 110V AC: 0,22 A
current consumption 48V DC: 0,35 A
current consumption 24V DC: 0,7 A



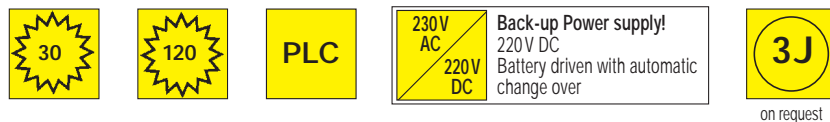
* details to be requested

Mechanical data and dimensions:



Mechanical data:	PB 2010 / PB 2005	PMB 2010
Cable gland	M 20, from the side or below	
Weight of AC version	300 g PB 2010 / 275 g PB 2005	305 g
Weight of DC version	360 g PB 2010 / 310 g PB 2005	360 g
Material globe	Acrylic glass, PMMA	
Material housing	ABS, light-grey, similar to RAL 7035	
Material base	ABS, light-grey, similar to RAL 7035	
	PCB made of fibre-glass reinforced epoxy resin for thermic and mechanical protection. PCB dip-varnished to protect against moisture. Flash tube fastened with stainless steel clamp to prevent shock and vibration.	
Standard:		
Operational temperature	-30 °C ... +55 °C	
Storage temperature	-40 °C ... +70 °C	
Relative humidity	90%	
Protective system	IP 55 (EN 60529 by vertical/horizontal installation)	

Special version:



Accessories:



Approvals on request:



Sample order:	Model: PB2010	Voltage: 230V AC	Globe colour: RED	Special version: 30 flashes/min	Accessories: Protective cage	Approval: GL
----------------------	------------------	---------------------	----------------------	------------------------------------	---------------------------------	-----------------

Conformity to standard:

The optical properties of flashing lights comply with the European standard DIN EN 842, which is published under the title:

"Machine safety - visual alarm signals".

Requirements of the standard DIN EN 981, published under the title:

"Machine safety - system of acoustic / visual alarm signals and information signals" can be met.

The colour "red" as emergency signal and "yellow" as a warning signal comply with the requirements of IEC 73/DIN EN 60073/VDE 0199, published under the title:

"Coding for display devices and control components using colours and supplementary means".

References to visual alarm devices can be found in the following standards:

- EN 60825-1 Radiation safety of laser devices defined by IEC 825 and DIN-VDE 0837
- DIN EN 54 Fire alarm systems
- DIN 54113-2 Regulations for radiation protection applicable to technical operation of X-ray equipment up to 500 kV