

## IEC Appliance Inlet C14 with Line Switch 1- or 2-pole

**Description**

- Panel Mount:  
Screw-on mounting on PCB/ from rear-side
- 2 Functions:  
Appliance Inlet Protection class I, Line Switch 2-pole
- For PCB mounting

**Approvals**

- VDE Certificate Number: 40007009
- UL File Number: E96454

**Characteristics**

- Ultra-compact design
- All single elements are already wired  
Unwired versions available on request
- Line switch non-illuminated or illuminated
- Standard versions with rear-side insulation cover
- Ideal for application with high transient loads
- Qualified for use in equipment according IEC/EN 60950

**Other versions on request**

- Fixing on PCB with self-tapping screws 3 mm or pre-inserted nuts M3
- Other rocker marking
- For protection class II
- Without cover

**References**

Alternative: version with line filter [DC22](#)

**Weblinks**

[pdf-datasheet](#), [html-datasheet](#), [General Product Information](#), [Approvals](#), [CE declaration of conformity](#), [RoHS](#), [CHINA-RoHS](#), [Mating Connectors](#), [e-Shop](#), [SCHURTER-Stock-Check](#), [Distributor-Stock-Check](#), [CAD-Drawings](#), [Accessories](#), [Detailed request for product](#)

Newly available variants corresponding to V-Lock mating cordset. The connector is equipped with a notch intended for use with the latching cordset. The cord latching system prevents against accidental removal of the cordset.

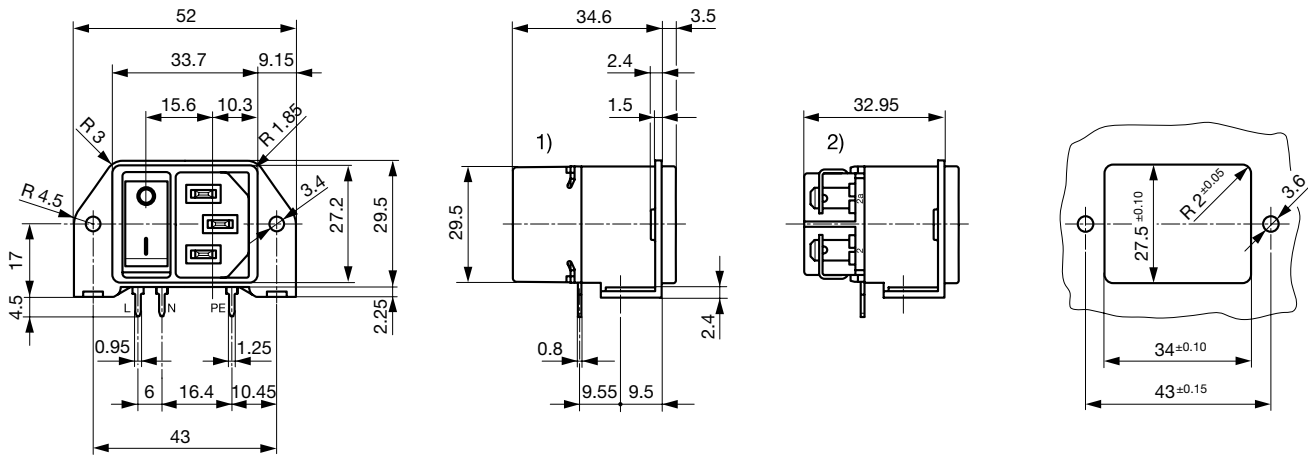
**Technical Data**

|                           |   |
|---------------------------|---|
| Ratings IEC               | 10A / 250VAC; 50Hz  |
| Ratings UL/CSA            | 11A / 125VAC; 60Hz  |
| Dielectric Strength       | > 2.5kVAC between L-N<br>> 3kVAC between L/N-PE<br>(1 min/50Hz)             |
| Allowable Operation Temp. | -25 °C to 70 °C   |
| Degree of Protection      | from front side IP 40 acc. to IEC 60529                                     |
| Protection Class          | Suitable for appliances with protection class I acc. to IEC 61140           |
| Terminal                  | For PCB mounting ; Ground terminal:<br>Quick connect terminals 4.8 x 0.8 mm |
| Panel Thickness s         | Screw: max 3.5 mm<br>Mounting screw torque max 0.5Nm                        |
| Material: Housing         | Thermoplastic, black, UL 94V-0  |

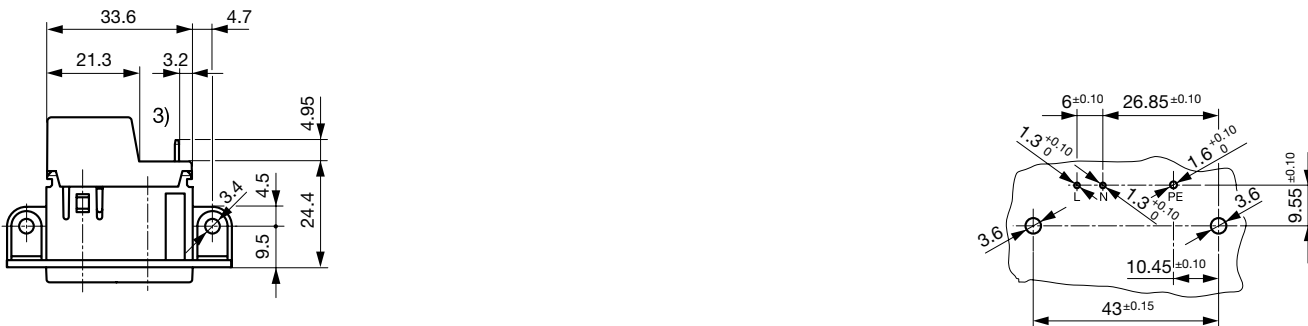
|                 |   |
|-----------------|---|
| Appliance Inlet | C14 acc. to IEC 60320,<br>UL 498, CSA C22.2 no. 42 (for cold conditions) pin-temperature 70 °C, 10A, Protection Class I |
| Line Switch     | Rocker switch 2-pole, non-illuminated or illuminated, acc. to IEC 61058-1<br><a href="#">Technical Details</a>          |

## Dimensions

Screw on PCB mounting



- 1) with cover
- 2) without cover

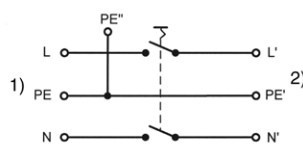
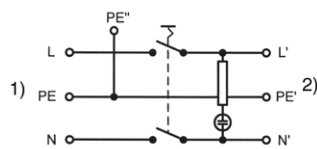


- 3) PE additionally as quick-connect terminal 4.8 x 0.8 mm

## Diagrams

Line switch illuminated 2-pole

Line switch non-illuminated 2-pole



- 1) Line
- 2) Load

- 1) Line
- 2) Load

**Variants**

| Panel mounting | Line Switch | Illumination | Color | Order Number   |
|----------------|-------------|--------------|-------|----------------|
| Screw          | 2-pole      |              | -     | DC21.0021.1111 |
| Screw          | 2-pole      | ●            | red   | DC21.0023.1111 |
| Screw          | 2-pole      | ●            | green | DC21.0024.1111 |

Suffix ".21" corresponds to the version with V-Lock mating cordset. The connector is equipped with a notch intended for use with the latching cordset. The cord latching system prevents against accidental removal of the cordset.

**Packaging unit** 40 Pcs

**Accessories**

**Description**



[Cord retaining kits](#)  
Cord retaining strain relief

**Mating Outlets/Connectors**

**Category / Description**

[Appliance Outlet Overview complete](#)



|   |      |
|---|------|
| IEC Appliance Outlet F, Screw-on Mounting, Front Side, Solder Terminal                            | 4787 |
| IEC Appliance Outlet F, Snap-in Mounting, Front Side, Solder or Quick-connect Terminal            | 4788 |
| IEC Appliance Outlet F or H, Screw-on Mounting, Front Side, Solder, PCB or Quick-connect Terminal | 5091 |
| IEC Appliance Outlet F or H, Screw-on Mounting, Front Side, Solder or Quick-connect Terminal      | 5092 |

[Appliance Outlet further types to DC21](#)

[Connector Overview complete](#)



|  |        |
|--|--------|
| IEC Connector C15, Rewireable, Straight  | 0101   |
| IEC Connector C15A, Rewireable, Straight | 0102   |
| IEC Connector C15A, Rewireable, Straight | 0102-G |
| IEC Connector C15A, Rewireable, Angled   | 0112   |
| IEC Connector C13, Rewireable, Angled    | 4012   |

[Connector further types to DC21](#)

...

[Power Cord Overview complete](#)



|   |      |
|---|------|
| Power Cord with IEC Connector C13, Angled | 0311 |
| Power Cord with IEC Connector C13, Angled | 3011 |
| Power Cord with IEC Connector C13, Angled | 3012 |
| Power Cord with IEC Connector C13, Angled | 3013 |
| Power Cord with IEC Connector C13         | 3020 |

[Power Cord further types to DC21](#)

...