



TRP

MAIN FEATURES

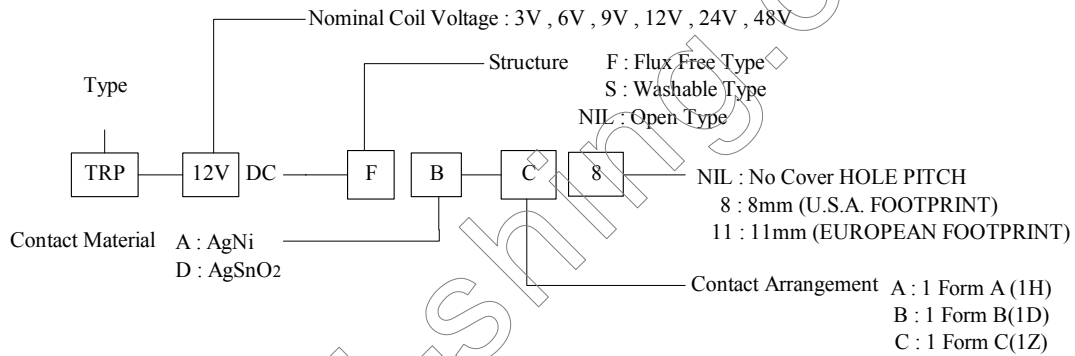
- Subminiature, PCB Mounting.
- Heavy Duty, Silver Alloy Contacts up to 30A or 45A.
- 1 Form A, 1 Form B or 1 Form C.
- Two different spacing arrangements of terminals are available to meet the world standards.
- Used for Automotives, Industrial Control. Household Appliances and Heavy Loads, etc.



TYPICAL APPLICATIONS IN AUTOMOTIVE INDUSTRY

- | | | |
|---------------------------|------------------------------|-------------------------------|
| • Direction Indicators | • Air Conditioning | • Car alarm system |
| • Interval Wipers Control | • Central door lock | • Initial value control |
| • Fuel Pump Control | • Anti-lock braking system | • Automatic mirror adjustment |
| • Ventilation Motor | • Self tension adjustment | • Sliding roof |
| • Hazard Lights | • Window lifter | |
| • Heater Control | • Seat positioning | |
| • Rear Window Heating | • Flashes or turning signals | |

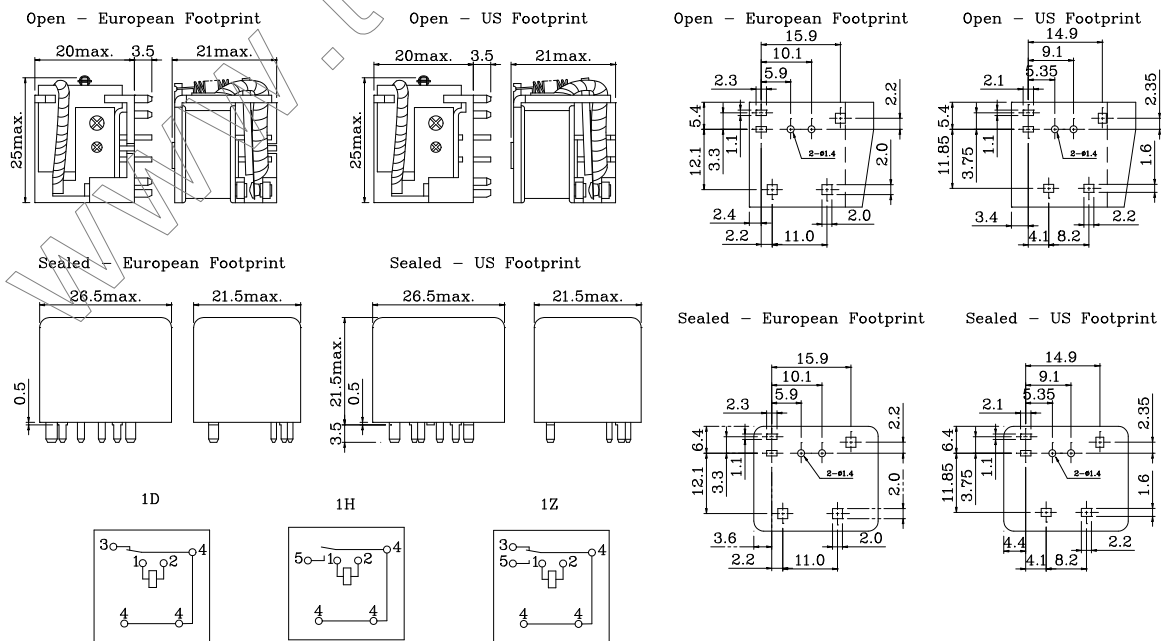
ORDERING INFORMATION



DIMENSION (unit:mm)

DRILLING (unit:mm)

WIRING DIAGRAM



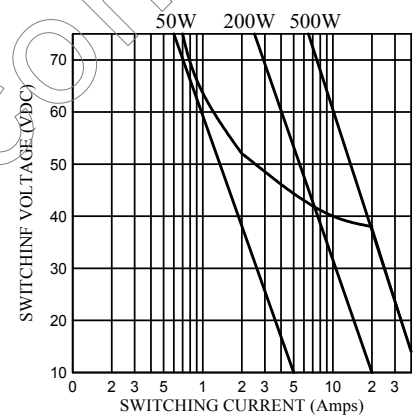
■ COIL DATA CHART (AT20°C)

Coil Sensitivity	Coil Voltage Code	Nominal Voltage (VDC)	Nominal Current (mA)	Coil Resistance (Ω) $\pm 10\%$	Power Consumption (W)	Pull-In Voltage (VDC)	Drop-Out Voltage (VDC)	Max-Allowable Voltage (VDC)
TRP-1H (1 Form A) TRP-1D (1 Form B)	06	6	353	17	abt. 1.9 ~ 2.1	57% Max.	5% Min.	140%
	12	12	160	75				
	24	24	80	300				
	48	48	44	1080				
TRP-1Z (1 Form C)	06	6	315	19	abt. 1.6 ~ 1.9	65% Max.	5% Min.	160%
	12	12	136	88				
	24	24	67	360				
	48	48	37	1300	abt.			

■ CONTACT RATING

Item	Type	TRP			
		Form A	Form B	Form C	
				N/O	N/C
Max. Continuous Current		45A	30A	45A	30A
Max. Make Current		100A	30A	100A	30A
Max. Break Current		60A	30A	60A	30A
Max. Switch Voltage		75VDC ; 60VAC			
Contact Rating		40A 15VDC or 12A 60VAC Resistive			
Contact Material		Ag Alloy			

■ REFERENCE DATA



■ PERFORMANCE (at initial value)

Item	Type	TRP
Contact Resistance		100m Ω Max.
Operation Time		5msec Max.
Release Time		3msec Max.
Dielectric Strength		500Vrms
Insulation Resistance		100 M Ω Min. (500VDC)
Operating Ambient Temperature		-40°C to +125°C See Ambient Temperature carry -40°C to +155°C (No water condensation and no water drop)
Operating Humidity		98% RH at 20°C
Vibration Resistance		20 to 200Hz Double Amplitude 1.5mm
Shock		150m/sec ² , 11ms
Life Expectancy		
Mechanically		10 × 10 ⁶ ops. Min. (no load)
Electrically		10 × 10 ⁴ ops. Min. (at rated coil voltage)
Weight		abt. 18grs. (NO COVER) abt. 22.5grs. (SEALED TYPE)

