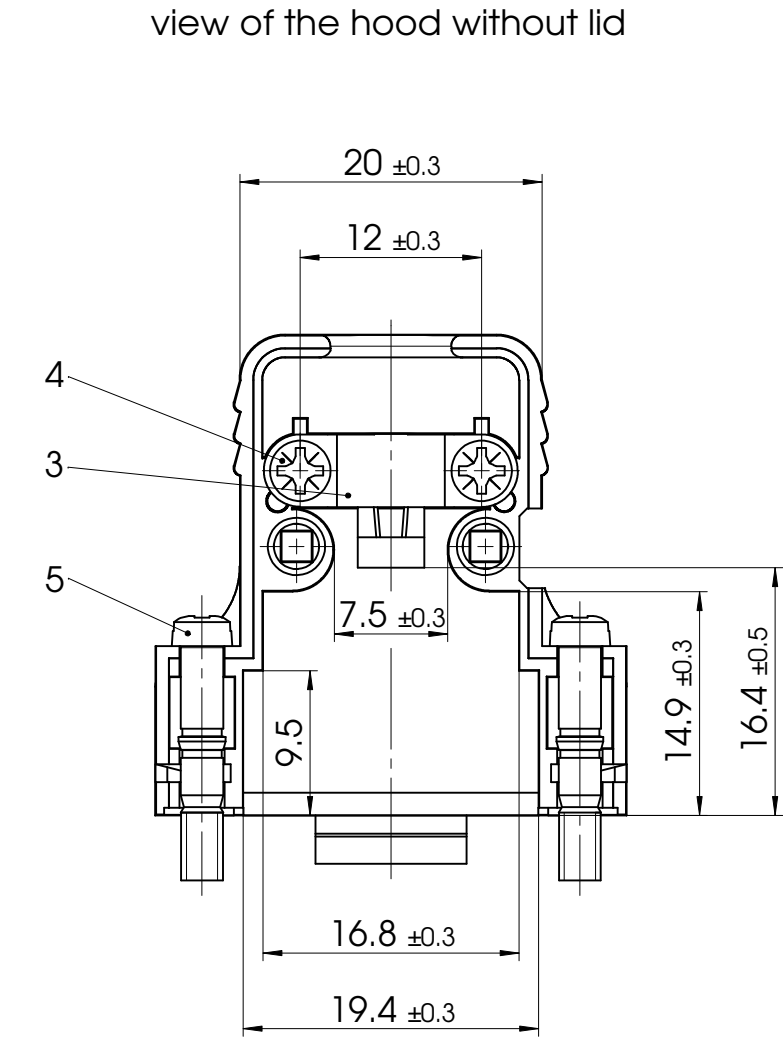
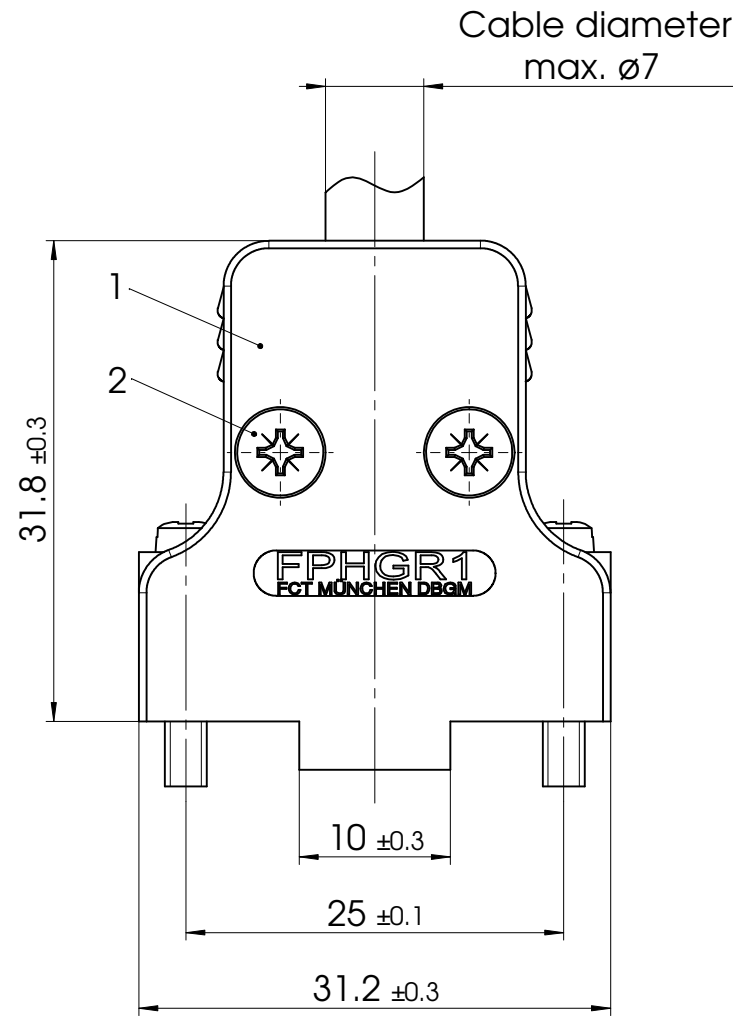
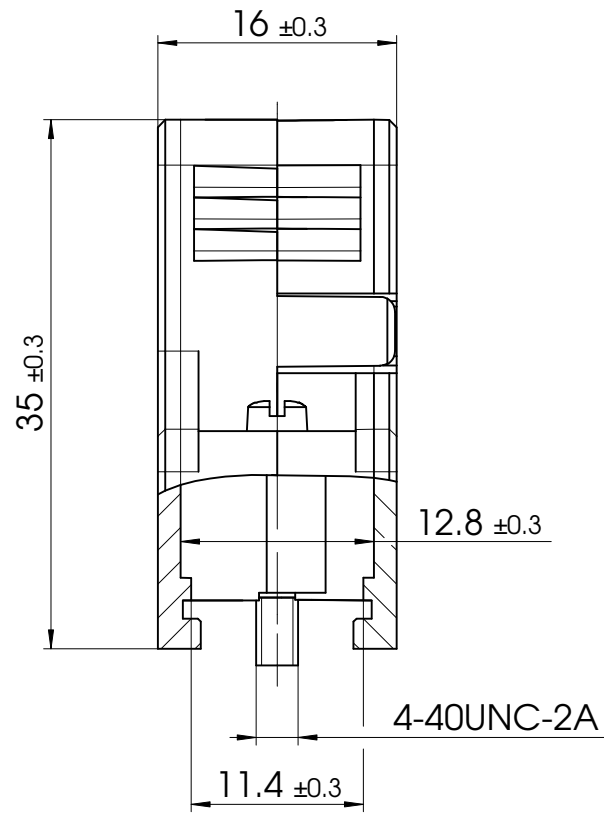


COMMENT:
 ALL RIGHTS ARE RESERVED BY US FOR THIS DRAWING. WITHOUT OUR PRIOR CONSENT,
 IT MAY NEITHER BE DUPLICATED NOR MADE AVAILABLE TO A THIRD PARTY,
 AND IT ALSO MAY NOT BE IMPROPERLY USED BY THE RECEIVER, OR A THIRD PARTY.



max. torque are 40 Ncm
 Hood is snapped together
 Parts 2-5 not mounted

No.	St.	Part	Type Description/Material	Surface plating/Colour/Class
5	2	Locking screw	FVS1/5-K1163 / Steel	nickel plated
4	2	Cable clamp screw	Steel	zinc plated
3	1	Cable clamp	Steel	tin plated
2	2	Shell screw	Steel	zinc plated
1	1	Hood	FPHGR-1 / Plastic	grey

		Measurement without tolerance occ. to ISO 2768-m		SCALE	TITLE	
				2:1	Plastic hood	
		NAME / DATE				
		DRAWN		Anke Meyer-Richter		
				07-04-2008		
		CHECKED		K Burkhardt		
				16-05-2008		
				DWG.NO.		REV.
		fctgroup.com		FPHGR-1		1
1				ORIGINAL: DIN A3-DRAWING AS A FILE	REPLACEMENT FOR:	FPHGR-1_AH0312a_ACAD
REV.	DATE	CH.-NO.				PAGES 1