



### Main

Range of product	Harmony XB5
Sale per indivisible quantity	10

### Complementary

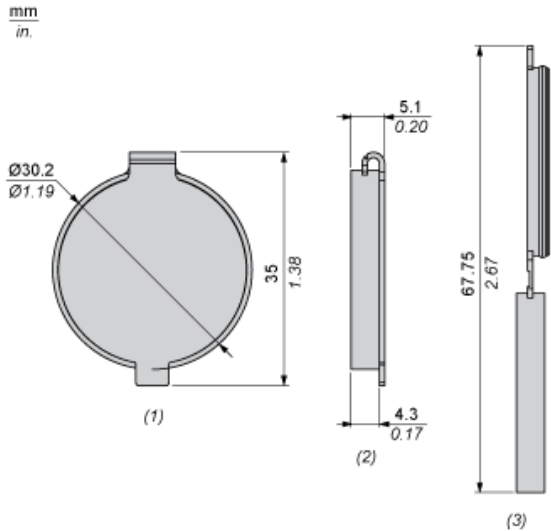
Thickness	1.5...5 mm
Product or component type	Protection cover
Material	Plastic
Accessory / separate part category	Protection accessories
Product compatibility	Panel mounted USB port XB5P Panel mounted RJ45 port XB5P
IP degree of protection	IP65 IEC 60529 IP67 IEC 60529
Colour	Black

### Offer Sustainability

Sustainable offer status	Not Green Premium product
RoHS (date code: YYWW)	Compliant - since 1645 - Schneider Electric declaration of conformity <a href="#">Schneider Electric declaration of conformity</a>
REACH	Reference not containing SVHC above the threshold <a href="#">Reference not containing SVHC above the threshold</a>

Disclaimer: This documentation is not intended as a substitute for and is not to be used for determining suitability or reliability of these products for specific user applications

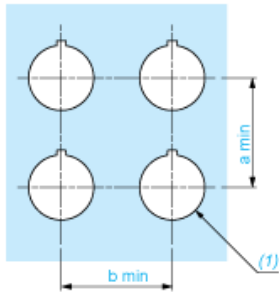
Dimensions



- (1) Front view
- (2) Side view - Closed
- (3) Side view - Open

Panel Cut-out for Protective Cover (Finished Holes, Ready for Installation)

Connection by Screw Clamp Terminals or Plug-in Connectors



(1) Diameter on finished panel or support

Connections	a in mm	a in in.	b in mm	b in in.
By screw clamp terminals or plug-in connector	40	1.57	40	1.57