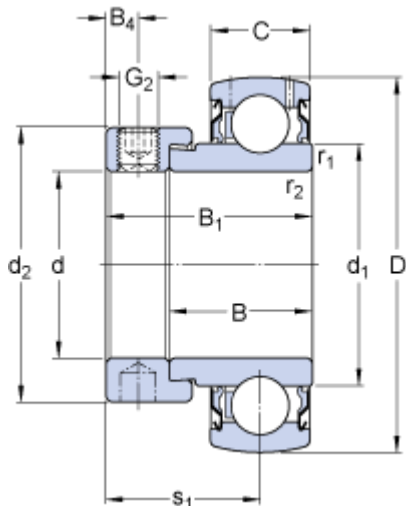


YET 210

Dimensions



d	50	mm
D	90	mm
B ₁	43.7	mm
B	30.2	mm
C	22	mm
d ₁	≈ 62.51	mm
d ₂	67.2	mm
B ₄	6.75	mm
r _{1,2}	min. 1	mm
s ₁	32.7	mm

Calculation data

Basic dynamic load rating	C	35.1	kN
Basic static load rating	C ₀	23.2	kN
Fatigue load limit	P _u	0.98	kN
Limiting speed ¹⁾		4000	r/min
Calculation factor	f ₀	14	

Mass

Mass complete bearing	0.74	kg
-----------------------	-------------	----

Mounting information

Thread grub screw	G ₂	M 10 x 1	
Hexagonal key size for grub screw	N	5	mm
Recommended tightening torque for grub screw		16.5	N·m

