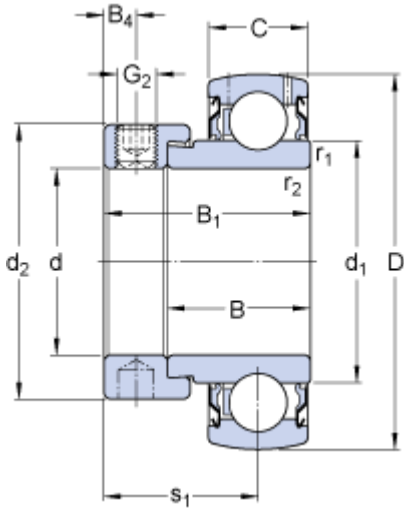


YET 208

Dimensions



d	40	mm
D	80	mm
B ₁	43.2	mm
B	29.7	mm
C	21	mm
d ₁	≈ 51.8	mm
d ₂	56.5	mm
B ₄	6.75	mm
r _{1,2}	min. 1	mm
s ₁	32.7	mm

Calculation data

Basic dynamic load rating	C	30.7	kN
Basic static load rating	C ₀	19	kN
Fatigue load limit	P _u	0.8	kN
Limiting speed ¹⁾		4800	r/min
Calculation factor	f ₀	14	

Mass

Mass complete bearing		0.6	kg
-----------------------	--	------------	----

Mounting information

Thread grub screw	G ₂	M 10 x 1	
Hexagonal key size for grub screw	N	5	mm
Recommended tightening torque for grub screw		16.5	N·m

Associated products

Rubber seating ring

RIS 208 A
