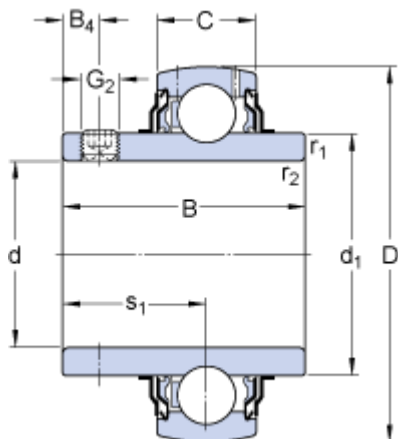


YAR 209 - 2 F

Dimensions



d	45	mm
D	85	mm
B	49.2	mm
C	22	mm
d ₁	≈ 56.8	mm
B ₄	8	mm
r _{1,2}	min. 1	mm
s ₁	30.2	mm

Calculation data

Basic dynamic load rating	C	33.2	kN
Basic static load rating	C ₀	21.6	kN
Fatigue load limit	P _u	0.915	kN
Limiting speed ¹⁾		4300	r/min
Calculation factor	f ₀	14	

Mass

Mass complete bearing		0.67	kg
-----------------------	--	-------------	----

Mounting information

Thread grub screw	G ₂	M 8 x 1	
Hexagonal key size for grub screw	N	4	mm
Recommended tightening torque for grub screw		6.5	N·m