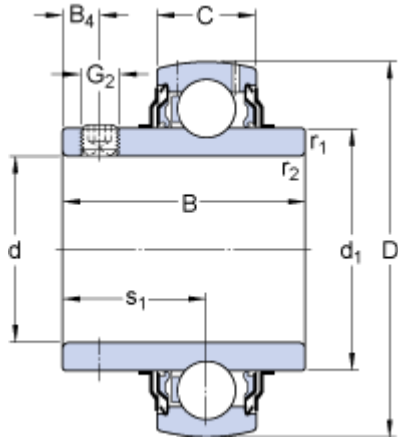


YAR 205 - 2 F

Dimensions



d	25	mm
D	52	mm
B	34.1	mm
C	15	mm
d_1	\approx 33.74	mm
B_4	5	mm
$r_{1,2}$	min. 0.6	mm
s_1	19.8	mm

Calculation data

Basic dynamic load rating	C	14	kN
Basic static load rating	C_0	7.8	kN
Fatigue load limit	P_u	0.335	kN
Limiting speed ¹⁾		7000	r/min
Calculation factor	f_0	14	

Mass

Mass complete bearing		0.19	kg
-----------------------	--	-------------	----

Mounting information

Thread grub screw	G_2	M 6 x 0.75
Hexagonal key size for grub screw	N	3 mm
Recommended tightening torque for grub screw		4 N·m

Associated products

Rubber seating ring		RIS 205
---------------------	--	----------------

