



## Main

|                                    |   |
|------------------------------------|---|
| Range of product                   | OsiSense XS   |
| Series name                        | General purpose   |
| Sensor type                        | Inductive proximity sensor  |
| Device application                 | Mobile equipment  |
| Sensor name                        | XS8   |
| Sensor design                      | Form 40 x 40 x 70   |
| Size                               | 70 mm   |
| Body type                          | Fixed   |
| Detector flush mounting acceptance | Non flush mountable   |
| Material                           | Plastic   |
| Enclosure material                 | PBT   |
| Type of output signal              | Discrete  |
| Wiring technique                   | 3-wire  |
| [Sn] nominal sensing distance      | 40 mm   |
| Discrete output function           | 1 NO + 1 NC   |
| Output circuit type                | DC  |
| Discrete output type               | PNP   |
| Electrical connection              | 4 pins M12 male connector   |
| [Us] rated supply voltage          | 12...48 V DC with reverse polarity protection   |
| Switching capacity in mA           | <= 200 mA with overload and short-circuit protection  |
| IP degree of protection            | IP65 conforming to IEC 60529<br>IP67 conforming to IEC 60529<br>IP69K conforming to DIN 40050 |

## Complementary

|                         |  |
|-------------------------|--|
| Safety level            | SILCL 2 conforming to IEC 62061<br>PL = d conforming to EN/ISO 13849-1<br>SIL 2 conforming to EN/IEC 61508 |
| Safety reliability data | SFF = 92 %   |

DC = 75 % with appropriate safety controller  
 MTTFd = 1546 years  
 PFHd = 7.4E-8 1/h

|                       |  |
|-----------------------|--|
| Detection face        | 5 positions turret head                                    |
| Front material        | PBT  |
| Sensing range         | > 15...40 mm   |
| Operating zone        | 0...32 mm  |
| Differential travel   | 3...15% of Sr  |
| Repeat accuracy       | <= 3% of Sr  |
| Status LED            | 1 LED green for supply on<br>1 LED yellow for output state |
| Supply voltage limits | 10...58 V DC   |
| Switching frequency   | <= 500 Hz  |
| Voltage drop          | <= 2 V at closed state                                     |
| Current consumption   | 0...15 mA at no-load                                       |
| Delay first up        | <= 7.5 ms  |
| Delay response        | <= 1.4 ms  |
| Delay recovery        | <= 2.5 ms  |
| Marking               | CE   |
| Height                | 40 mm  |
| Length                | 40 mm  |
| Width                 | 70 mm  |
| Product weight        | 0.149 kg   |

## Environment

|                                       |   |
|---------------------------------------|---|
| Product certifications                | CSA<br>UL<br>CCC<br>TÜV<br>E2   |
| Ambient air temperature for operation | -25...70 °C   |
| Ambient air temperature for storage   | -40...85 °C   |
| Vibration resistance                  | 25 gn amplitude = +/- 2 mm (f = 10...55 Hz) conforming to IEC 60068-2-6 |
| Shock resistance                      | 50 gn for 11 ms conforming to EN 60068-2-27                             |

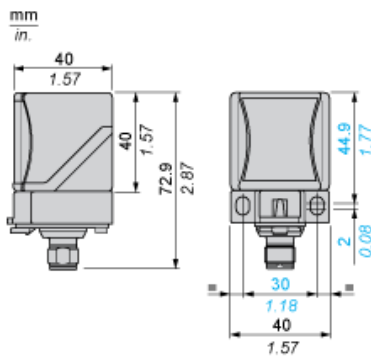
## Offer Sustainability

|                                  |   |
|----------------------------------|---|
| Sustainable offer status         | Green Premium product   |
| RoHS (date code: YYWW)           | Compliant - since 1213 - Schneider Electric declaration of conformity<br><a href="#">Schneider Electric declaration of conformity</a> |
| REACH                            | Reference not containing SVHC above the threshold<br><a href="#">Reference not containing SVHC above the threshold</a>                |
| Product environmental profile    | Available<br><a href="#">Product environmental</a>  |
| Product end of life instructions | Need no specific recycling operations   |

## Contractual warranty

|                 |           |
|-----------------|-----------|
| Warranty period | 18 months |
|-----------------|-----------|

Dimensions

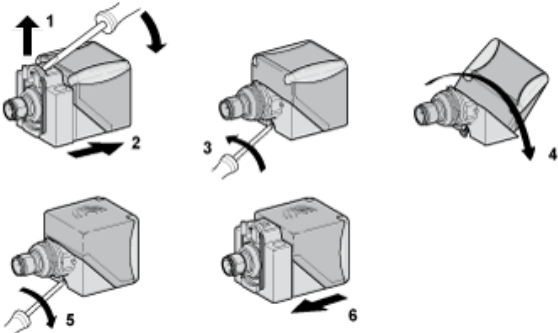


---

Mounting

---

Head Positions



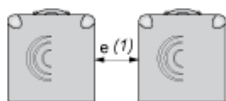
---

Setting-up Precautions

---

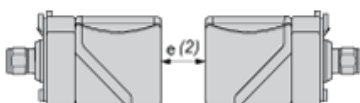
Minimum Mounting Distances (mm)

Side by Side



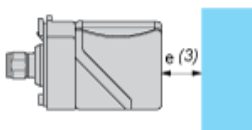
$$e (1) \geq 160$$

Face to Face



$$e (2) \geq 320$$

Facing a Metal Object



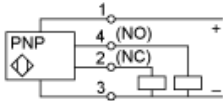
$$e (3) \geq 120$$

---

Wiring Schemes

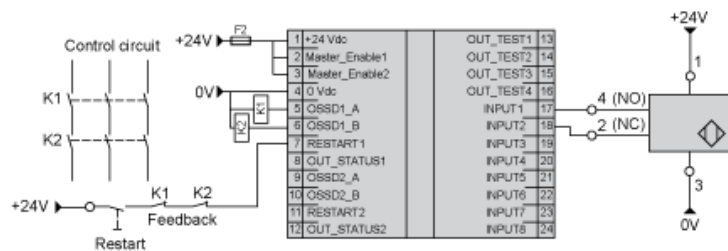
---

4-Wire DC



SIL 2 Wiring Scheme

With Preventa XPSMF40 Safety PLC



SFF : (Safe Failure Fraction): 92,68 %  
DC : (Diagnosis Coverage): 75,8 %