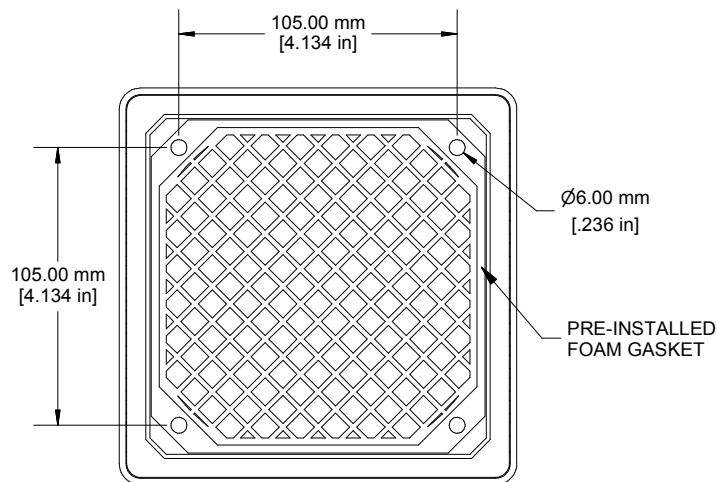


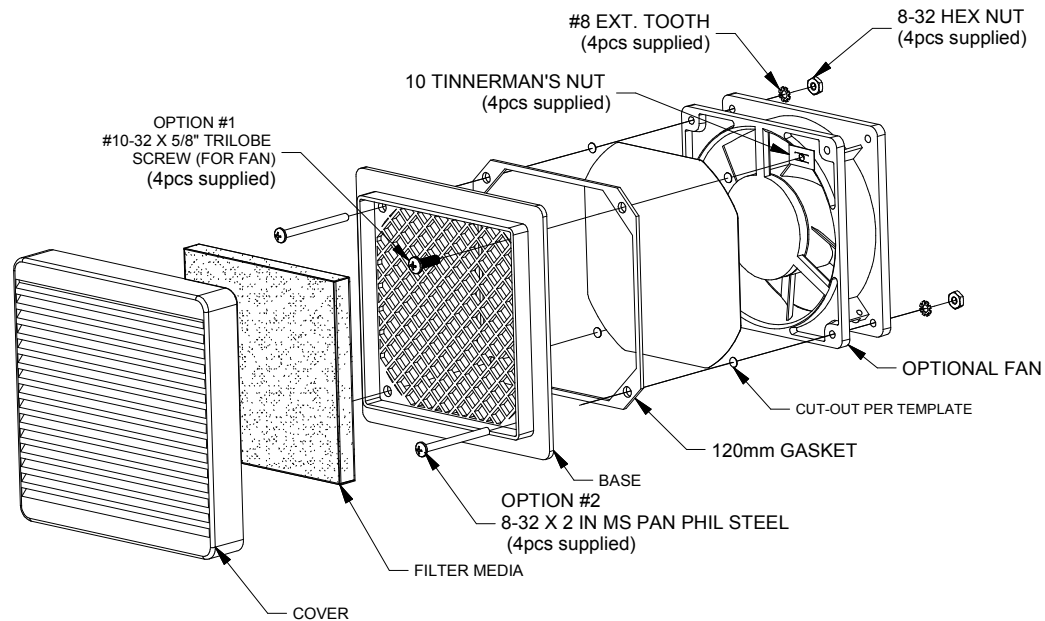
FRONT VIEW OF ASSEMBLY



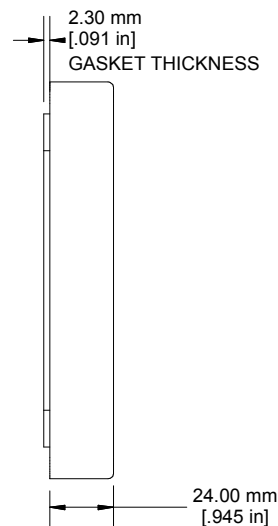
BOTTOM VIEW OF ASSEMBLY



REAR VIEW OF ASSEMBLY



SIDE VIEW OF ASSEMBLY



NOTE

Purchased assembly includes snap-together Cover and Base (FRABS UL94-V0), foam EVA gasket, stainless steel mounting hardware, filter media and installation template.

PART NUMBERS

XPFA120 Filter Fan Grill	
Black	XPFA120BK
Beige - RAL7032	XPFA120CG
Gray - ANSI 61	XPFA120GY
Light Gray - RAL7035	XPFA120LG
Accessories	
Standard Filter Media (Pkg of 5)	PFF2000
Pleated Filter Media (Pkg of 5)	PLFF2000

*** HARDWARE OPTIONS:**

- #10-32 X 5/8" TRILOBE SCREW WILL SELF-TAP INTO HOLES ON OPTIONAL FAN, OR CAN BE USED WITH #10 TINNEMAN'S NUT WITH GRILL ONLY.
- 8-32 X 2" SCREW TO BE USED WITH OPTIONAL FAN.

**HAMMOND
MANUFACTURING™**

XPFA120

www.hammondmfg.com