



Wireless Charging

Tx (Transmitting) Modules

WTM505090 Series

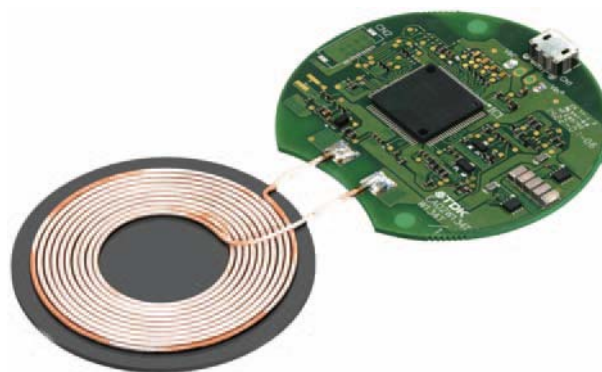
WTM505090-10K2-5V-G1

Wireless Charging Tx (Transmitting) Modules

WTM505090-10K2-5V-G1

FEATURES

- This is Tx turnkey solution including transmitter coil
- Fully WPC compliant, including foreign object detection (FOD) method
- 5V operation with wireless power consortium (WPC1.1) type A11 transmitter system
- Pre cracked ferrite is available for durable construction



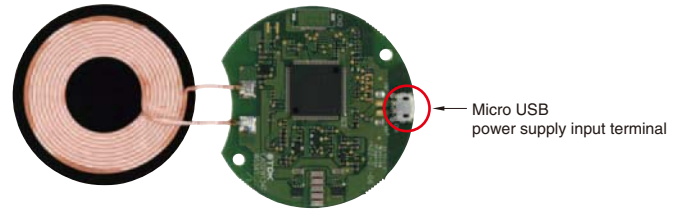
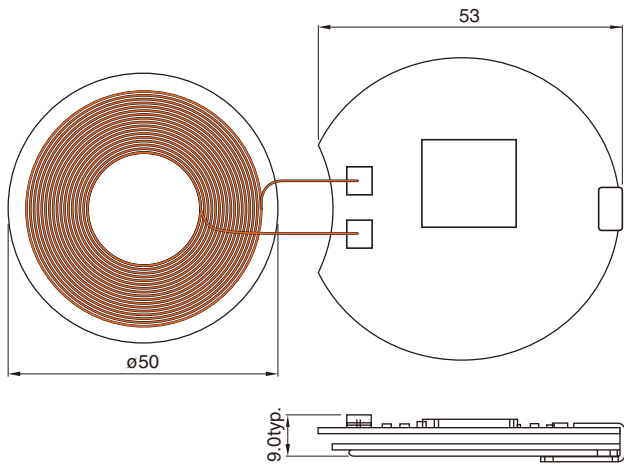
Contact Windows For More Information

| Country | Person in charge | Web |
|---------|-------------------|--------------------------|
| US | Chris Burket | chris.burket@us.tdk.com |
| EU | Andre Carranque | Carranque@eu.tdk.com |
| Japan | Takeshi Ishibashi | tishiba@jp.tdk.com |
| TTW | ChienHung Lin | ChienHung_Lin@tw.tdk.com |
| China | ChienHung Lin | ChienHung_Lin@tw.tdk.com |
| Korea | Youngsoo m Kim | youngsoo_kim@kr.tdk.com |
| ASEAN | ChienHung Lin | ChienHung_Lin@tw.tdk.com |

○ Halogen-free: Indicates that Cl content is less than 900ppm, Br content is less than 900ppm, and that the total Cl and Br content is less than 1500ppm.

• All specifications are subject to change without notice.

SHAPE & DIMENSIONS



Dimensions in mm

ELECTRICAL CHARACTERISTICS

CHARACTERISTICS SPECIFICATION TABLE

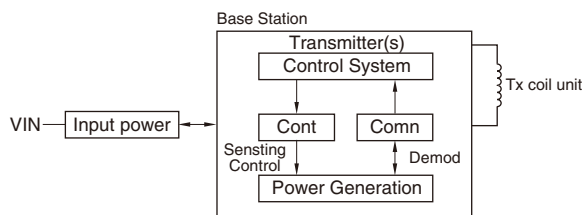
Tx coil unit

| Inductance (μH) [100kHz, 1Vrms] | DC resistance (Ω)max. [25°C] |
|--|---|
| 6.3 | 0.06 |

Tx module

| IC Information | Input Voltage (V) | WPC Compliant | Efficiency (%) | Part No. |
|---------------------------|----------------------|------------------|-------------------|----------------------|
| TB6865AFG (Toshiba IC) | 4.75 to 5.2 | WPC 1.1 Type A11 | 70 | WTM505090-10K2-5V-G1 |

BLOCK DIAGRAM




REMINDERS

- Do not use or store in locations where there are conditions such as gas corrosion (salt, acid, alkali, etc.).
- Before soldering, be sure to preheat components.
The preheating temperature should be set so that the temperature difference between the solder temperature and product temperature does not exceed 150°C.
- Soldering corrections after mounting should be within the range of the conditions determined in the specifications.
If overheated, a short circuit, performance deterioration, or lifespan shortening may occur.
- Self heating (temperature increase) occurs when the power is turned ON, so the tolerance should be sufficient for the set thermal design.
- Do not use for a purpose outside of the contents regulated in the delivery specifications.
- The products listed on this catalog are intended for use in general electronic equipment (AV equipment, telecommunications equipment, home appliances, amusement equipment, computer equipment, personal equipment, office equipment, measurement equipment, industrial robots) under a normal operation and use condition.
The products are not designed or warranted to meet the requirements of the applications listed below, whose performance and/or quality require a more stringent level of safety or reliability, or whose failure, malfunction or trouble could cause serious damage to society, person or property.
If you intend to use the products in the applications listed below or if you have special requirements exceeding the range or conditions set forth in the each catalog, please contact us.

- (1) Aerospace/Aviation equipment
- (2) Transportation equipment (electric trains, ships, etc.)
- (3) Medical equipment
- (4) Power-generation control equipment
- (5) Atomic energy-related equipment
- (6) Seabed equipment
- (7) Transportation control equipment

- (8) Public information-processing equipment
- (9) Military equipment
- (10) Electric heating apparatus, burning equipment
- (11) Disaster prevention/crime prevention equipment
- (12) Safety equipment
- (13) Other applications that are not considered general-purpose applications