

## WiFi Antenna

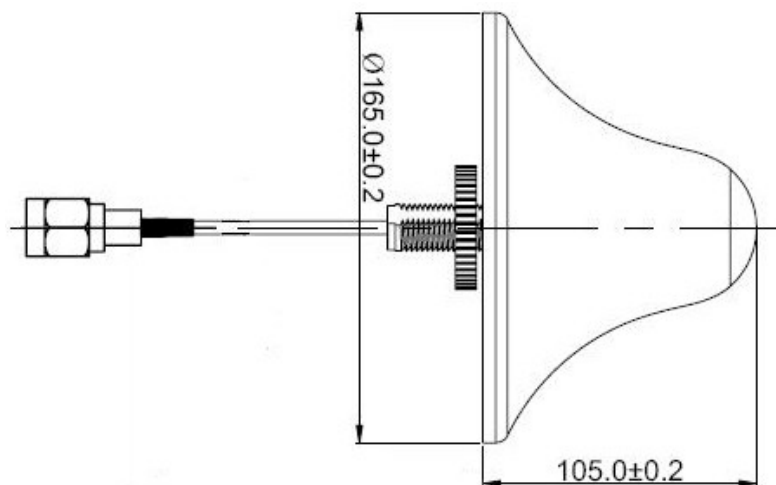
Model : WIFI-ANT915



1 Part Number

WIFI-ANT915

2 Dimension ( Unit : mm )



### 3 Electrical Characteristics

#### 3.1 WiFi Antenna

Form 1

No.	Item	Specifications
1	Frequency ( MHz )	2400 ~ 2500 MHz
2	V.S.W.R( in BW )	$\leq 2.0 : 1$
3	Gain ( Zenith )	8 dBi
4	Impedance	50 $\Omega$

#### 3.2 Mechanical

Form 2

No.	Item	Specification
1	Cable	RG 58 3m/5m or others
2	Connector	N or others
3	Plastic Housing	White