

D-SUB contact insert - VS-25-ST-DSUB/25-MPT-0,5 - 1689789


Please be informed that the data shown in this PDF Document is generated from our Online Catalog. Please find the complete data in the user's documentation. Our General Terms of Use for Downloads are valid (<http://phoenixcontact.com/download>)



D-SUB contact insert, shell size 3, with 25 signal contacts, male type of contact, screw connection, straight, for panel mounting frame and sleeve housing with IP67 protection



Key Commercial Data

Packing unit	10 pc
GTIN	 4 017918 914080
Weight per Piece (excluding packing)	26.73 g
Custom tariff number	85366990
Country of origin	Germany

Technical data

General data

Number of positions	25
Overvoltage category	III
Degree of pollution	2

Standards and Regulations

Flammability rating according to UL 94	V0
--	----

Classifications

eCl@ss

eCl@ss 4.0	27140816
eCl@ss 4.1	27260701
eCl@ss 5.0	27260701
eCl@ss 5.1	27260701
eCl@ss 6.0	27260705
eCl@ss 7.0	27440309
eCl@ss 8.0	27440302

D-SUB contact insert - VS-25-ST-DSUB/25-MPT-0,5 - 1689789

Classifications

eCl@ss

eCl@ss 9.0	27440205
------------	----------

ETIM

ETIM 2.0	EC000438
ETIM 3.0	EC000438
ETIM 4.0	EC000438
ETIM 5.0	EC001132

UNSPSC

UNSPSC 6.01	30211923
UNSPSC 7.0901	39121522
UNSPSC 11	39121522
UNSPSC 12.01	39121522
UNSPSC 13.2	39121522

Approvals

Approvals

Approvals

EAC / EAC

Ex Approvals

Approvals submitted

Approval details

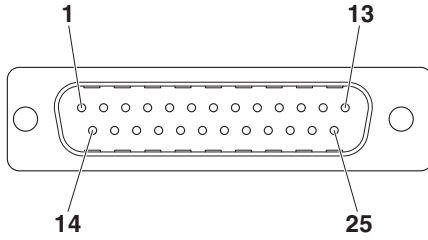
EAC

EAC

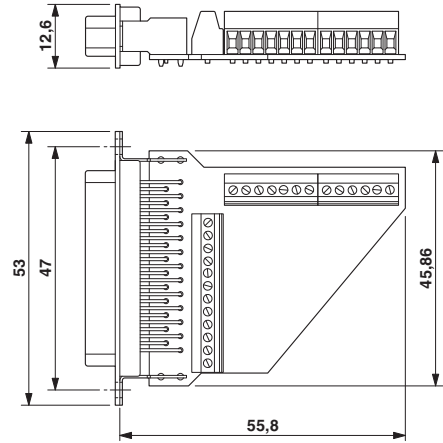
Drawings

D-SUB contact insert - VS-25-ST-DSUB/25-MPT-0,5 - 1689789

Schematic diagram



Dimensional drawing



D-SUB contact insert