

To be read in conjunction with "Introduction to Pellistor Gas Sensors" and Pellistor Application Notes 1, 2, 3, 4, 6 and 7.

INTRODUCTION

The VQ10 consists of two matched elements which are used for the detection of combustible gases, particularly methane in air mixtures in concentrations from 0.1% upwards. There is no interference from water vapour or carbon dioxide. Using the recommended bridge circuit (see below) and the mounting arrangement shown on page 2, the minimum sensitivity is 15 mV/% methane.

The low power consumption of the VQ10 makes it suitable for use where the power consumption must be minimised, e.g. battery operated systems.

GENERAL DATA

Electrical

The information given below relates to the VQ10 operating in the recommended circuit shown.

| | |
|--|-------------------------|
| Operation (see note 1) | continuous |
| Bridge supply | 2.0 ± 0.1 V |
| Bridge power consumption (at 2.0 V) | 0.48 W max |
| Minimum sensitivity (see note 2) | 15 mV/% methane |
| Linearity | linear up to 3% methane |
| Response time to register 1 ¹ / ₄ % in a 2 ¹ / ₂ % concentration (see notes 2 and 3) | 2 seconds |
| Maximum methane concentration (see note 4) | 5 % |

Mechanical

| | |
|----------------|-------------------------------------|
| Mounting | see page 2 |
| Outline | see page 2 |
| Shock test | 250 g, 5 blows in each plane |
| Vibration test | 20 g, 24 cycles from 100 to 3200 Hz |

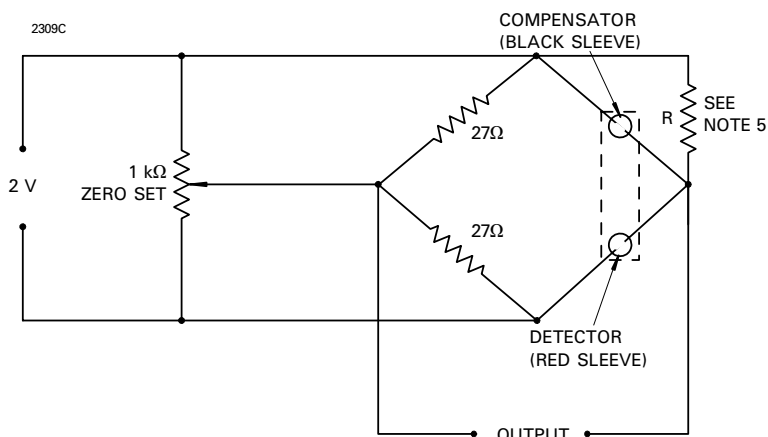
MARKING

Each element is identified by a unique serial number written on the can of both the detector and compensator. The serial number is written in red on the detector and black on the compensator. In addition, the detector carries a red circular label on the base identifying the device type.

NOTES

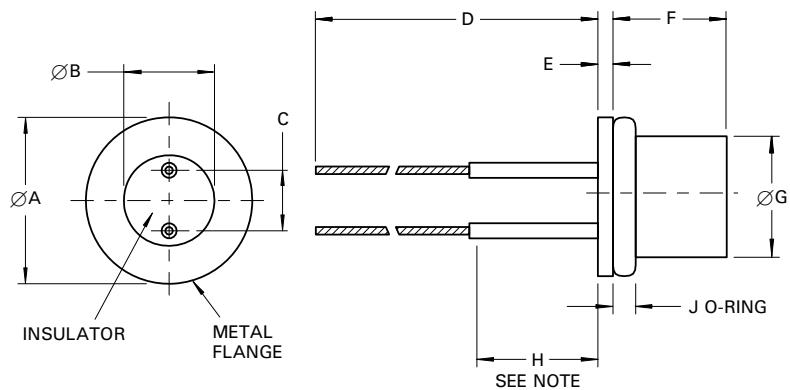
1. Operation may be under either direct flow or diffusion conditions in appropriate mountings (see page 2).
2. With open-circuit conditions at the bridge output.
3. The response time is a function of the type of mounting used.
4. If the VQ10 is exposed to greater than 5% methane concentration, the calibration of the instrument should be checked.
5. The elements are supplied as a matched pair with a trimming resistor R of the correct value which is between 68 and 220 Ω. The trimming resistor is to be connected across the compensator element as shown below.
6. The elements must be protected from certain organic and silicone vapours by suitable filtering, and caution should be exercised when operating in close proximity to hot, oily machinery.

BRIDGE CIRCUIT



OUTLINE (All dimensions without limits are nominal)

2311B

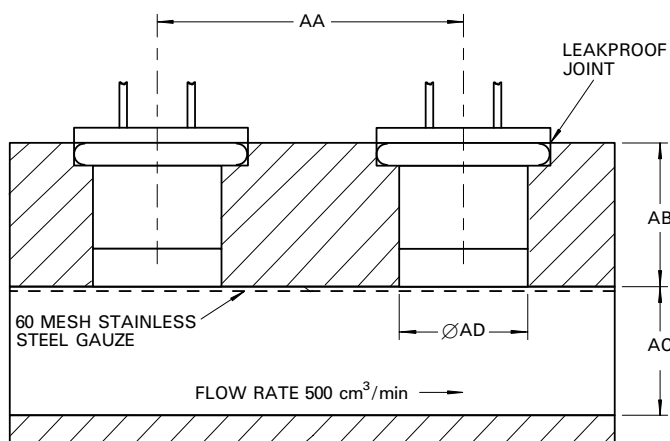


| Ref | Millimetres |
|-----|--------------|
| A | 11.05 ± 0.25 |
| B | 6.10 ± 0.25 |
| C | 3.56 ± 0.13 |
| D | 63.5 min |
| E | 1.02 |
| F | 7.37 ± 0.51 |
| G | 8.20 max |
| H | 9.53 |
| J | 1.52 |

Note No bends may be made in this length.

RECOMMENDED MOUNTING ARRANGEMENTS

2310C



| Ref | Millimetres |
|-----|-------------|
| AA | 19.05 max |
| AB | 9.53 ± 0.13 |
| AC | 8.33 ± 0.13 |
| AD | 8.20 min |
| AE | 19.05 max |
| AF | 9.53 ± 0.13 |
| AG | 8.20 min |

