

Stamped contacts Crimp male contacts diameter 1,6 mm for wire gauge AWG 26 - 20 gold plated

Part No. VN01 016 0003 2

Series Contacts

Subseries Contact Stamped contacts



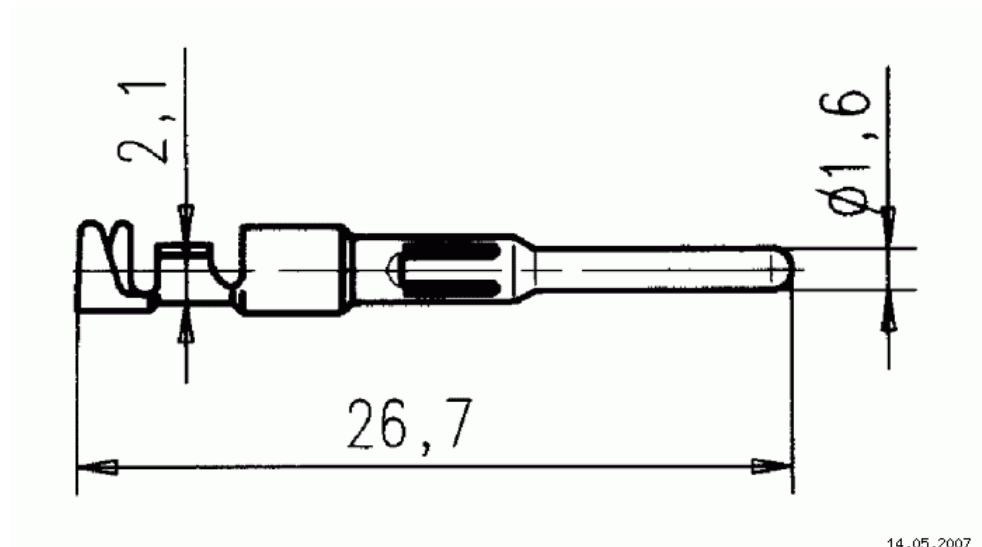
| COMMON CHARACTERISTICS     |  |                              |
|----------------------------|--|------------------------------|
| Contact diameter           |  | 1,6 mm                       |
| Insulation diameter        |  | 1,0 - 2,0 mm                 |
| Wire gauge from            |  | 0,14                         |
| Wire gauge to              |  | 0,5                          |
| Wire gauge (AWG) from      |  | 26                           |
| Wire gauge (AWG) to        |  | 20                           |
| Packaging / supplied as    |  | Single contact               |
| No. of pieces              |  | 2.000                        |
| Sex of Contact             |  | Pin                          |
| Type of contact            |  | Stamped/rolled crimp contact |
| ELECTRICAL CHARACTERISTICS |  |                              |
| Contact resistance         | DIN EN 60512-2-1, Test 2a / IEC 60512-2-1, Test 2a | < 5 m                        |

Stamped contacts Crimp male contacts diameter 1,6 mm for wire gauge AWG 26 - 20 gold plated

Part No. VN01 016 0003 2

Series Contacts

Subseries Contact Stamped contacts



Drawing Dimensions in mm (Inch)

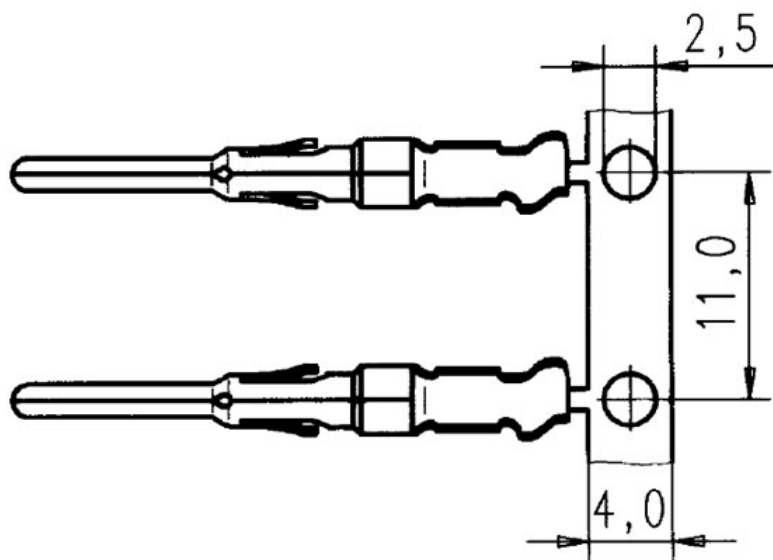
14.05.2007

Stamped contacts Crimp male contacts diameter 1,6 mm for wire gauge AWG 26 - 20 gold plated

Part No. VN01 016 0003 2

Series Contacts

Subseries Contact Stamped contacts



Contact arrangement