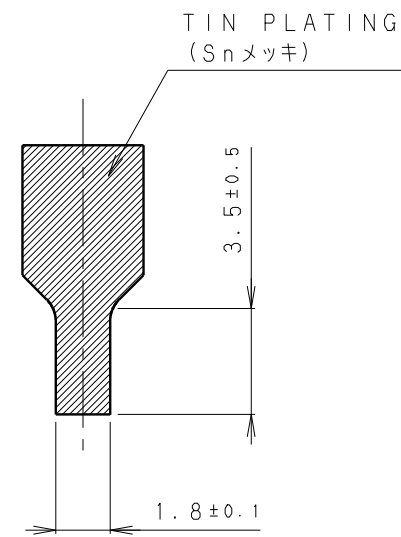
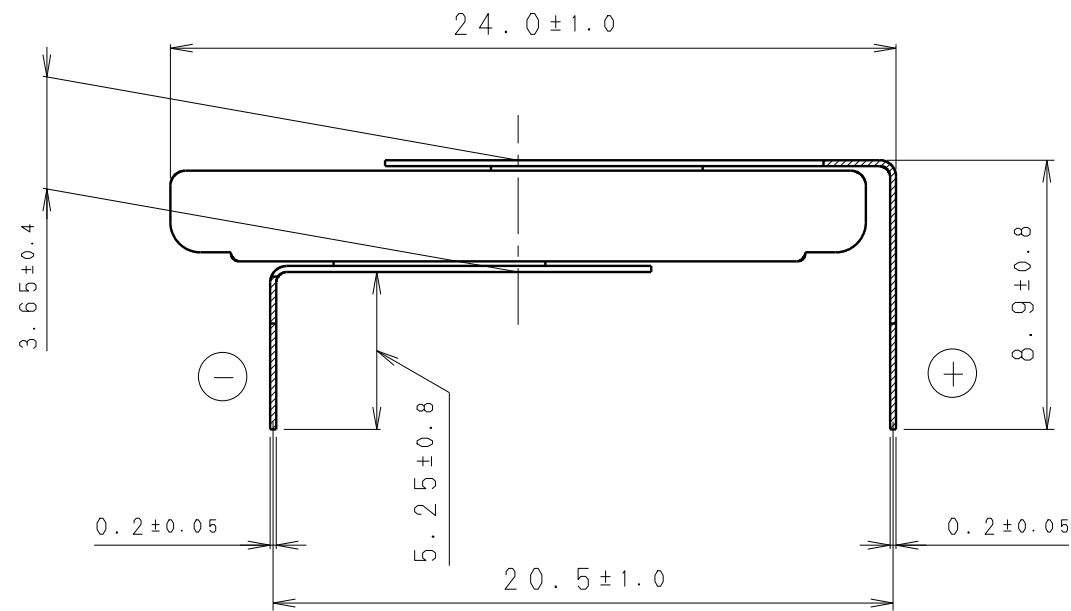
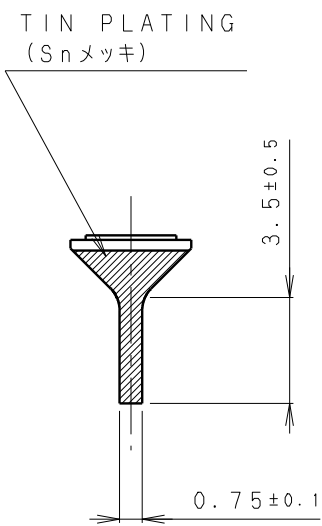
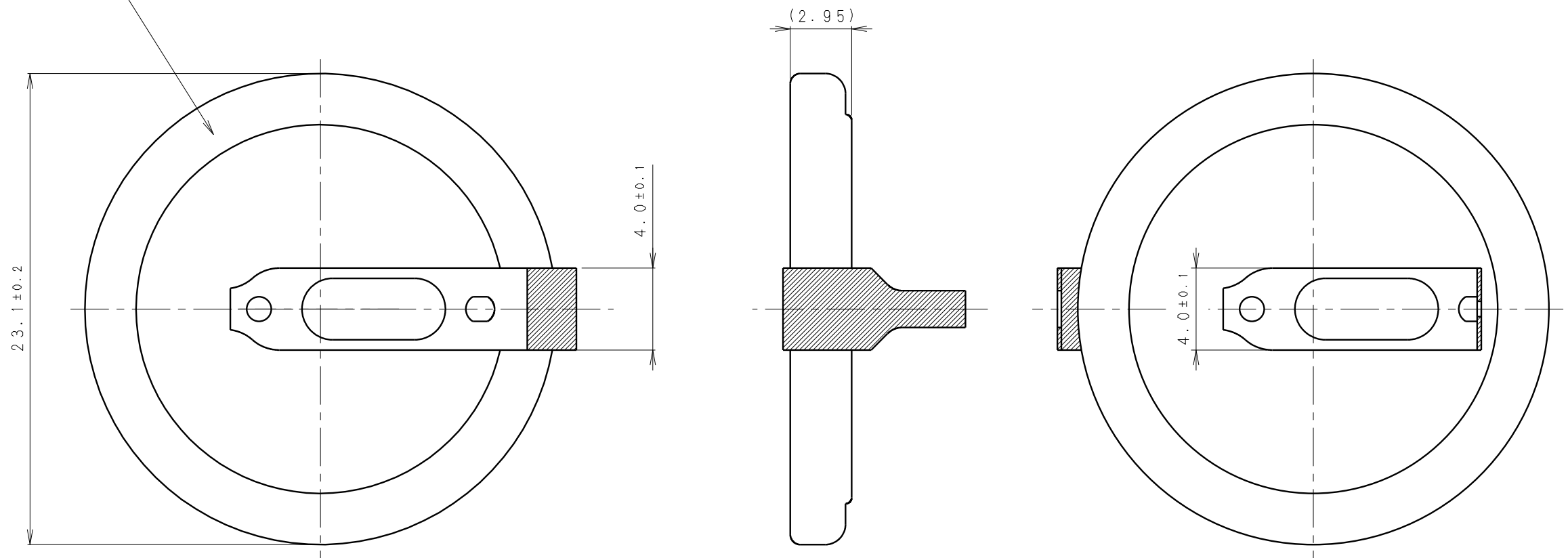


INSULATOR (BROWN)
 [絶縁チューブ (茶色)]

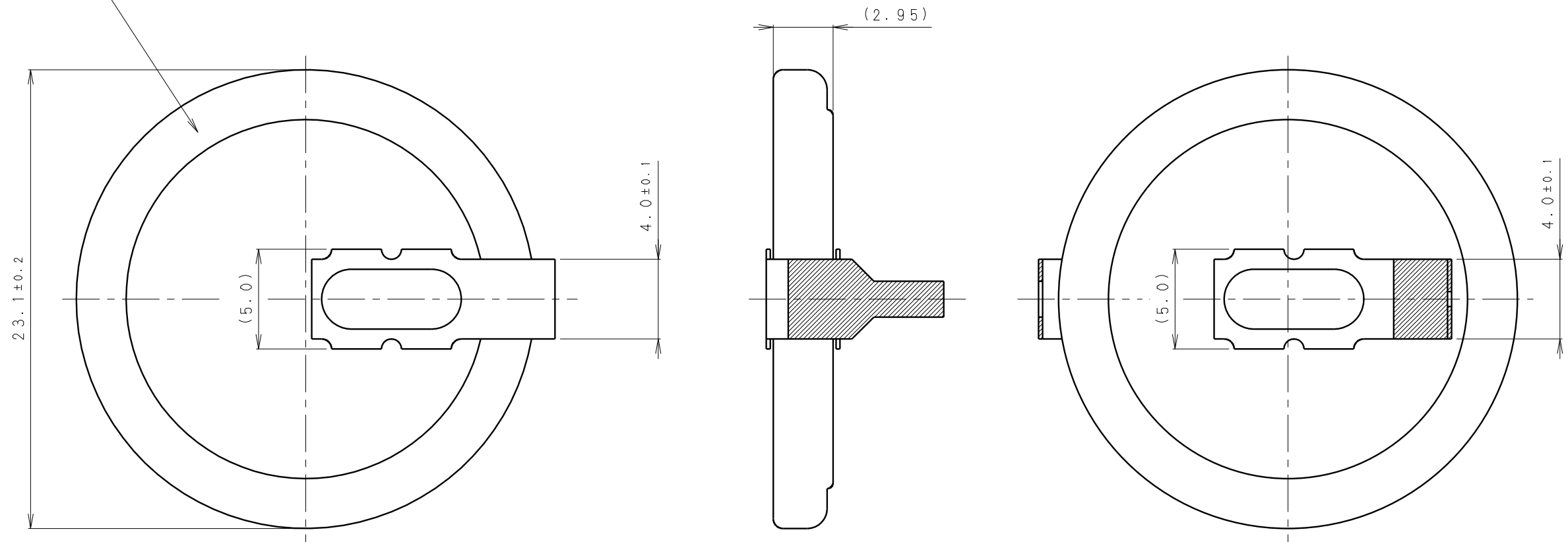


* NOTE [注記]

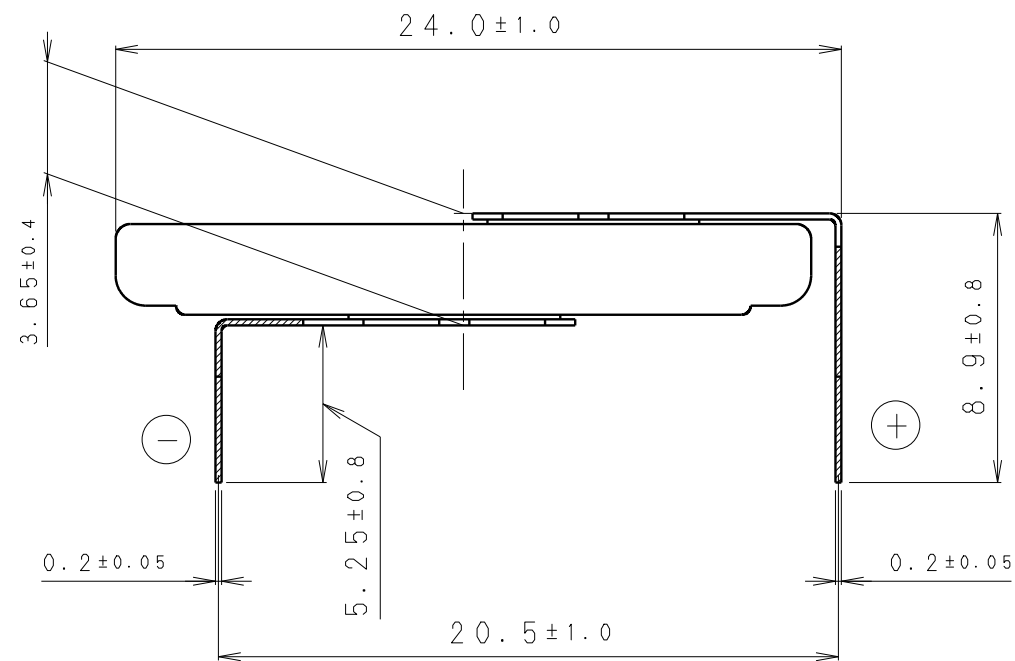
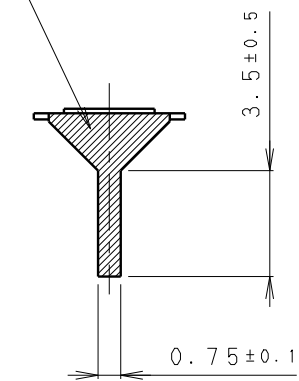
1. TAB PULLING STRENGTH OVER 19.6N [端子溶接強度: 19.6N以上]
2. TAB MATERIAL: STAINLESS STEEL WITH TIN PLATING [端子材料: 基材 ステンレス/表面 部分Snメッキ]
3. (): REFERENCE DIMENSION AND ANGLE [() 寸法、角度は参考値]

PRODUCT NO.	VL-2330/HFN	SCALE	4:1
		DRAWING NO.	QKHC1Z
		REV.	0
		UNIT: mm	

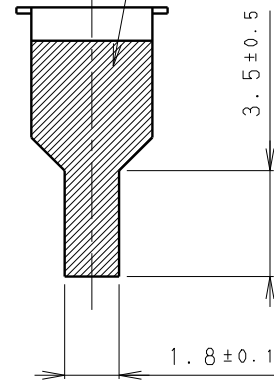
INSULATOR (BROWN)
 [絶縁チューブ (茶色)]



TIN PLATING
 [Snメッキ]



TIN PLATING
 [Snメッキ]



* NOTE [注記]

1. TAB PULLING STRENGTH OVER 19.6N [端子溶接強度: 19.6N以上]
2. TAB MATERIAL: STAINLESS STEEL WITH TIN PLATING [端子材料: 基材 ステンレス/表面 部分Snメッキ]
3. (): REFERENCE DIMENSION AND ANGLE [() 寸法、角度は参考値]

PRODUCT NO.	VL-2330/HFN	SCALE	4:1
		DRAWING NO.	QKHD1Z
		REV.	0
		UNIT:mm	