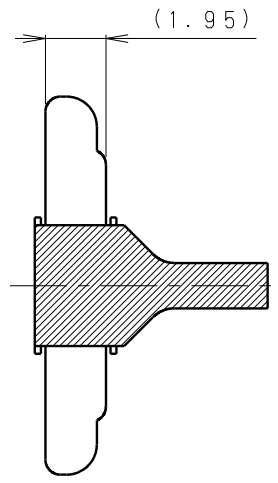
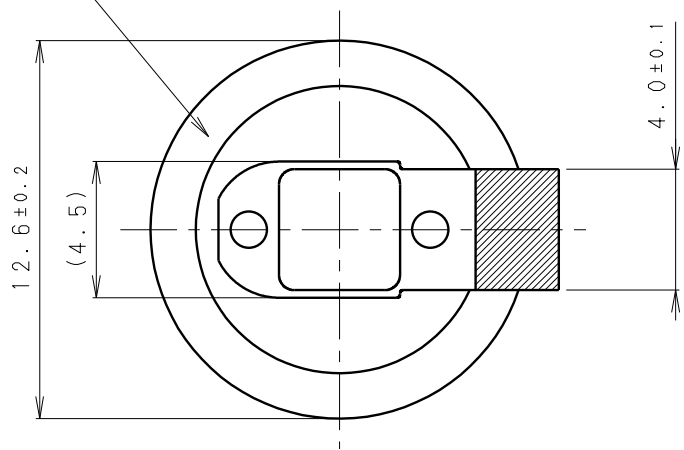
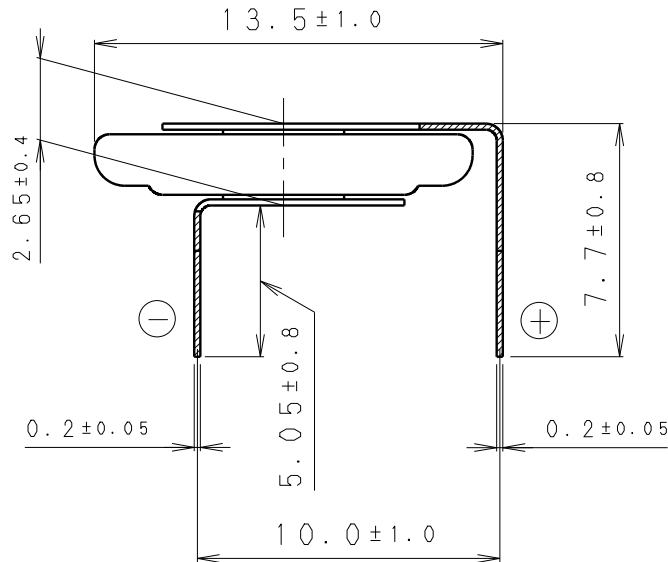
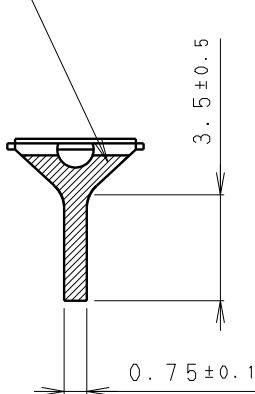


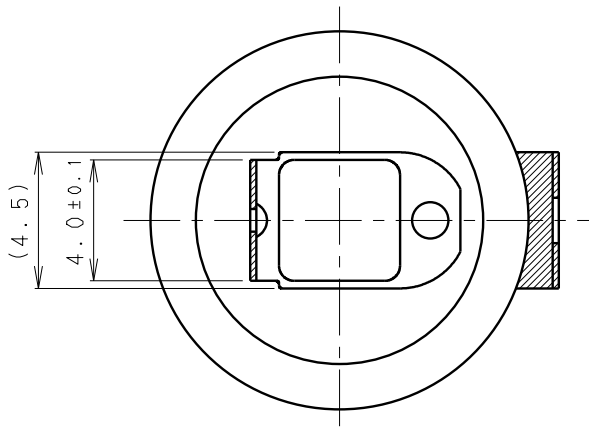
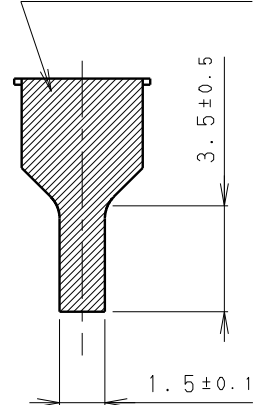
INSULATOR (BROWN)
 [絶縁チューブ (茶色)]



TIN PLATING
 [Snメッキ]



TIN PLATING
 [Snメッキ]

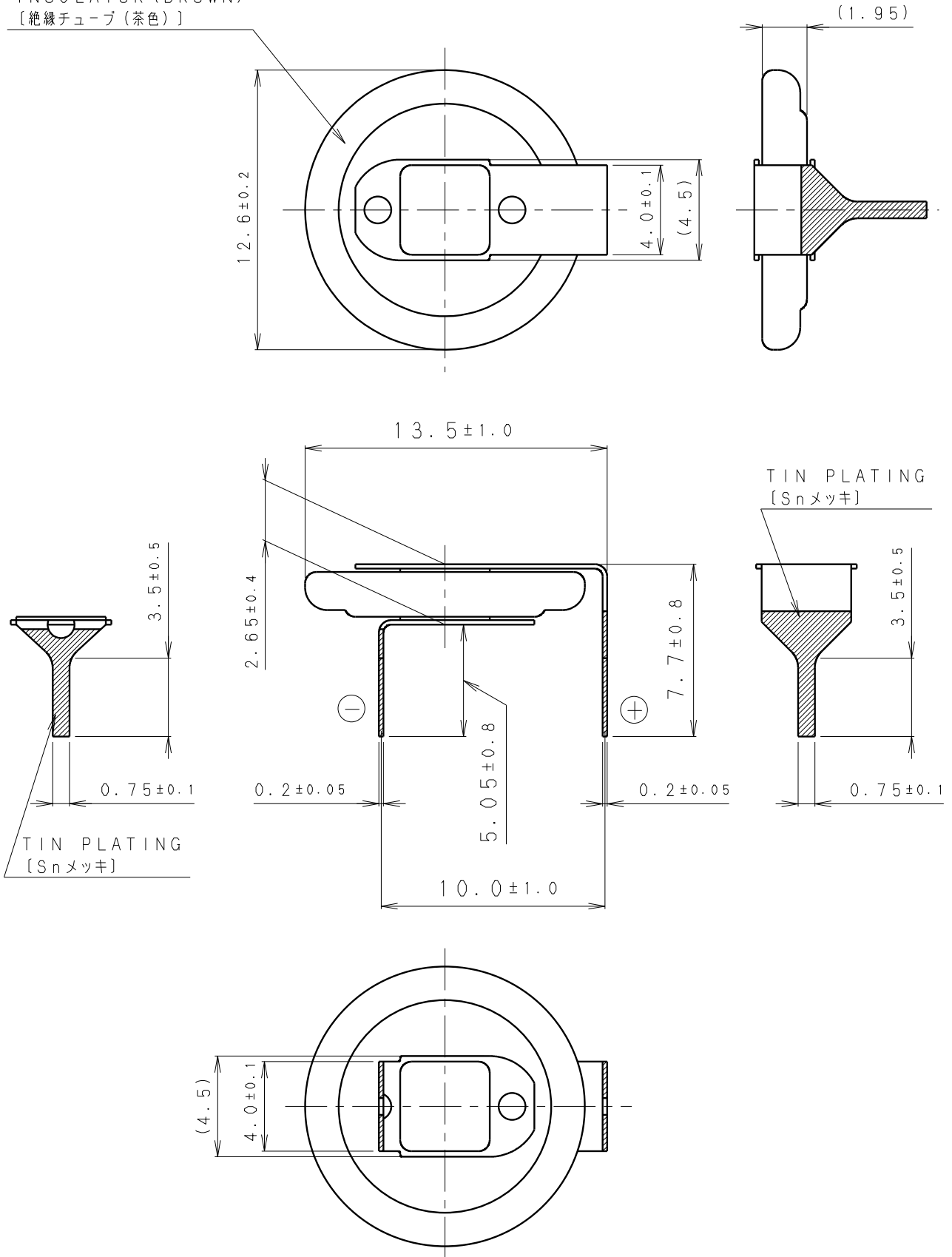


* NOTE [注記]

1. TAB PULLING STRENGTH OVER 19.6N
 [端子溶接強度: 19.6N以上]
2. TAB MATERIAL: STAINLESS STEEL WITH TIN PLATING [錫メッキ]
 [端子材料: 基材 ステンレス/表面 部分Snメッキ]
3. (): REFERENCE DIMENSION AND ANGLE
 [() 寸法、角度は参考値]

PRODUCT NO.	VL-1220/HF1N	SCALE	
		4:1	
DRAWING NO.	JEHB1Z	REV.	UNIT: mm
		0	

INSULATOR (BROWN)
[絶縁チューブ (茶色)]



* NOTE [注記]

- TAB PULLING STRENGTH OVER 19.6N
[端子溶接強度：19.6N以上]
- TAB MATERIAL: STAINLESS STEEL WITH TIN PLATING [Snメッキ]
[端子材料：基材 ステンレス/表面 部分Snメッキ]
- () : REFERENCE DIMENSION AND ANGLE
[() 寸法、角度は参考値]

PRODUCT NO.	VL-1220/HFN	SCALE	
		4:1	
DRAWING NO.	JEHA1Z	REV.	
		0	