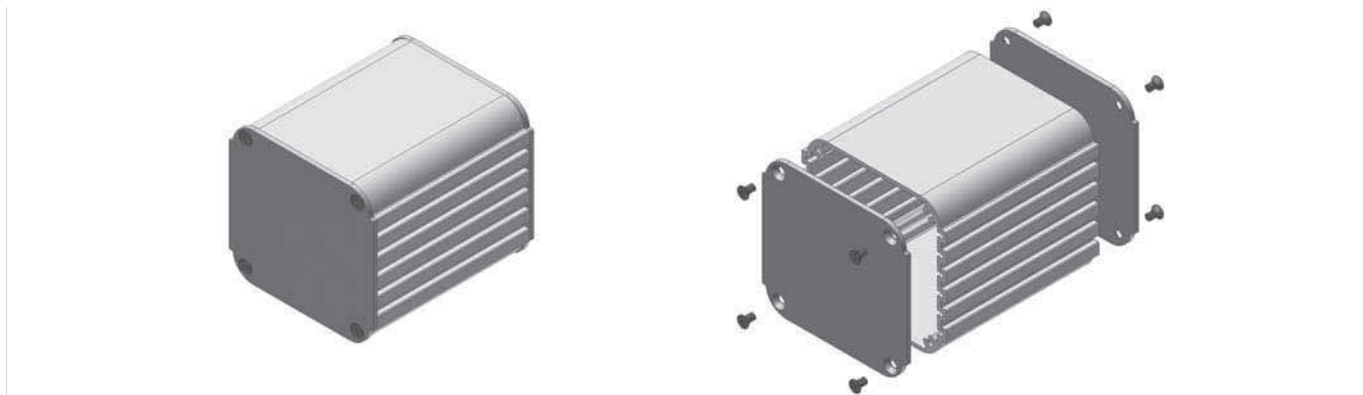


Tube cases

Universal tube case



- universal tube case for non standardised components or PC boards of 67 mm width
- EMC compatible version due to chrome-free transparent passivated (electrically conductive) surface
- the 2 mm thick covers can be machined and printed according to your requirements
- supplied as kit, including cover plates and mounting material
- special dimensions and surface treatments upon request

<p>art. no.</p> <p>UTG 7166 ...</p>	<p>GP 211</p>
<p>please indicate:</p>	<p>... lengths 75 100 150 mm</p> <p>... surface SA =black anodised MS=case profile SA, cover panels ME LP =exterior black lacquered, inside chrome-free transp. passivated</p>

profiles in meter lengths 1000 mm → M 24

Tube cases with Eurocards
Miniature aluminium case
Cooling case
Fixing material

→ M 23
→ M 25 - 29
→ M 31 - 34
→ N 65

Case with cooling fins
Allgemeine Hinweise
Hinweise zu Bedruckungen
Euro case

→ M 34
→ M 2
→ M 2
→ M 9

M 20

A

B

C

D

E

F

G

H

I

K

L

M

N