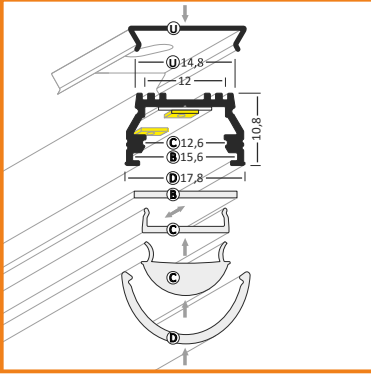


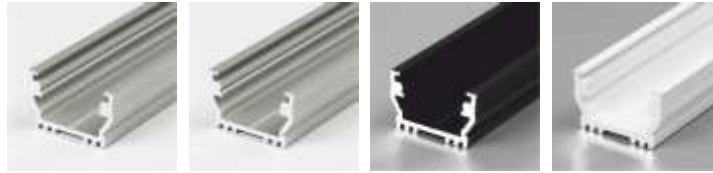
profile LED
UNI12

Surface LED profile

profile LED UNI12 BCD/U



UE Patent No. 001412688-0001



raw 1000mm A1010000 2000mm A1020000	anodized 1000mm A1010020 2000mm A1020020	black anodized 1000mm A1010021 2000mm A1020021	white painted 1000mm A1010001 2000mm A1020001
---	--	--	---

small, multi-purpose profile;
ideal heat sink;
Compatible with some of the U accessories
- covers and holders. Application with the new click cover imposed from the outside
- you can get a waterproof solution.

standard lengths: 1000, 2000mm;
max. length 4000mm;
length above 2000mm - own collection

COVERS

<p>cover slide B</p> <p>white ▸ frosted ▸ transparent</p> <table border="0"> <tr> <td>1000mm</td> <td>1000mm</td> <td>1000mm</td> </tr> <tr> <td>76240038</td> <td>76240039</td> <td>76240016</td> </tr> <tr> <td>2000mm</td> <td>2000mm</td> <td>2000mm</td> </tr> <tr> <td>76250038</td> <td>76250039</td> <td>76250016</td> </tr> </table>	1000mm	1000mm	1000mm	76240038	76240039	76240016	2000mm	2000mm	2000mm	76250038	76250039	76250016	<p>cover click C</p> <p>white ▸ transparent</p> <table border="0"> <tr> <td>1000mm</td> <td>1000mm</td> </tr> <tr> <td>76320038</td> <td>76320000</td> </tr> <tr> <td>2000mm</td> <td>2000mm</td> </tr> <tr> <td>76330038</td> <td>76330000</td> </tr> </table>	1000mm	1000mm	76320038	76320000	2000mm	2000mm	76330038	76330000	<p>cover lens C</p> <p>transparent</p> <table border="0"> <tr> <td>1000mm</td> </tr> <tr> <td>76290000</td> </tr> <tr> <td>2000mm</td> </tr> <tr> <td>76300000</td> </tr> </table>	1000mm	76290000	2000mm	76300000
1000mm	1000mm	1000mm																								
76240038	76240039	76240016																								
2000mm	2000mm	2000mm																								
76250038	76250039	76250016																								
1000mm	1000mm																									
76320038	76320000																									
2000mm	2000mm																									
76330038	76330000																									
1000mm																										
76290000																										
2000mm																										
76300000																										
<p>cover click D</p> <p>white</p> <table border="0"> <tr> <td>1000mm</td> <td>2000mm</td> </tr> <tr> <td>A1130038</td> <td>A1140038</td> </tr> </table>	1000mm	2000mm	A1130038	A1140038																						
1000mm	2000mm																									
A1130038	A1140038																									

ENDINGS

<p>1 set = 2 pcs</p> <p>ending UNI12</p> <p>grey ▸ white ▸ black ▸ silver</p> <p>A1080022 A1080001 A1080002 A1080040</p>	<p>1 set = 2 pcs</p> <p>ending UNI12 with hole</p> <p>grey ▸ white ▸ black ▸ silver</p> <p>A1100022 A1100001 A1100002 A1100040</p> <p>ENDING THICKNESS INCREASES THE LENGTH OF THE PROFILE</p>	<p>1 set = 2 pcs</p> <p>ending UNI12</p> <p>grey ▸ white ▸ black ▸ silver</p> <p>A1950022 A1950001 A1950002 A1950040</p>	<p>1 set = 2 pcs</p> <p>ending UNI12 with hole</p> <p>grey ▸ white ▸ black ▸ silver</p> <p>A1970022 A1970001 A1970002 A1970040</p> <p>ENDING THICKNESS INCREASES THE LENGTH OF THE PROFILE</p>
--	--	--	--

bulk packaging of 10 sets = 20 pcs

grey ▸ white ▸ black ▸ silver	ending UNI12	ending UNI12 with hole
A1070022	A1090022	A1090022
A1070001	A1090001	A1090001
A1070002	A1090002	A1090002
A1070040	A1090040	A1090040

MOQ = 1 bulk packaging (10 sets)

bulk packaging of 10 sets = 20 pcs

grey ▸ white ▸ black ▸ silver	ending UNI12	ending UNI12 with hole
A1940022	A1960022	A1960022
A1940001	A1960001	A1960001
A1940002	A1960002	A1960002
A1940040	A1960040	A1960040

MOQ = 1 bulk packaging (10 sets)

MOUNTING

<p>OPTIONAL MOUNTING:</p> <p>mounting plate flexible U 76380000</p>	<p>mounting adhesive LED strip</p>	
--	------------------------------------	--