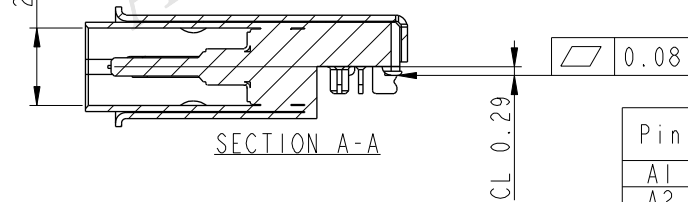
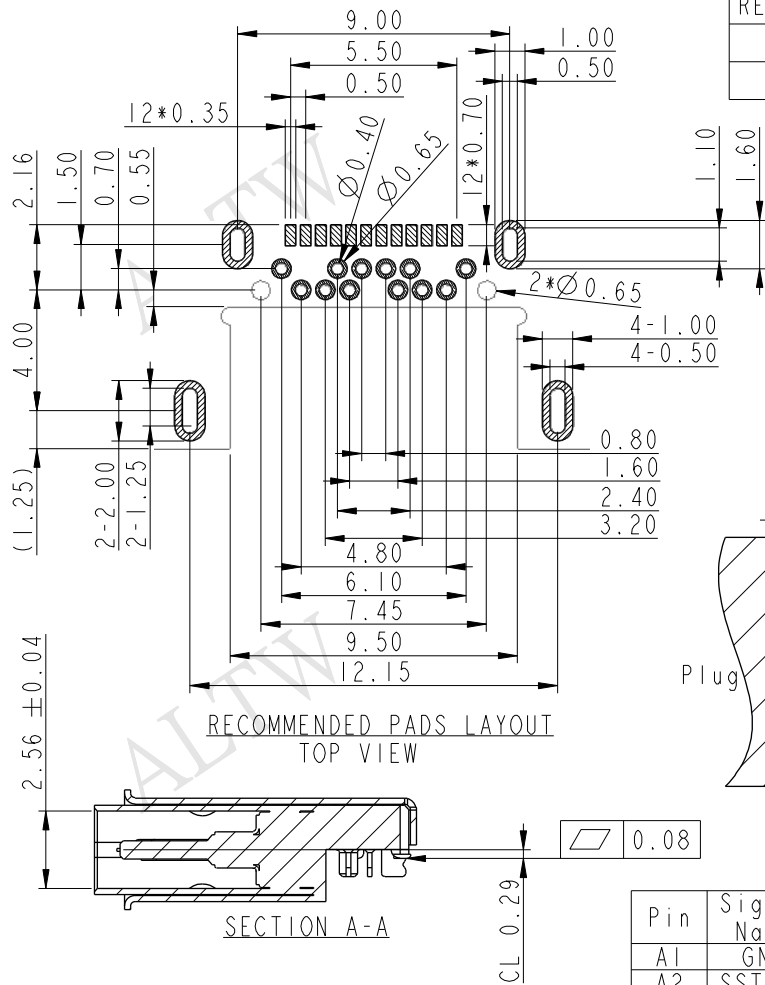
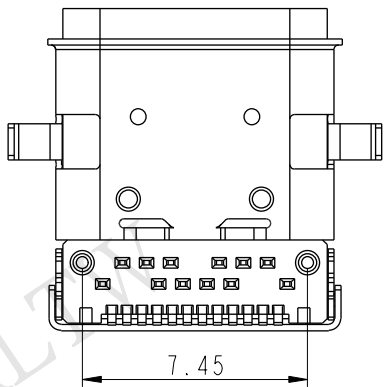
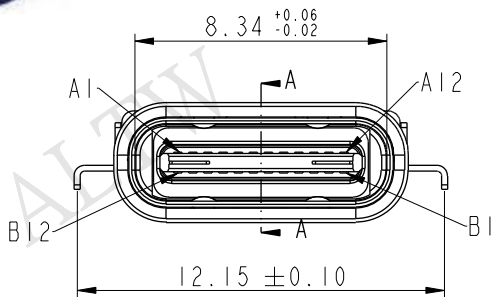
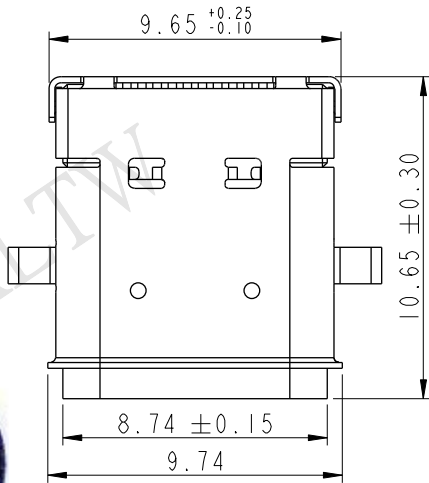
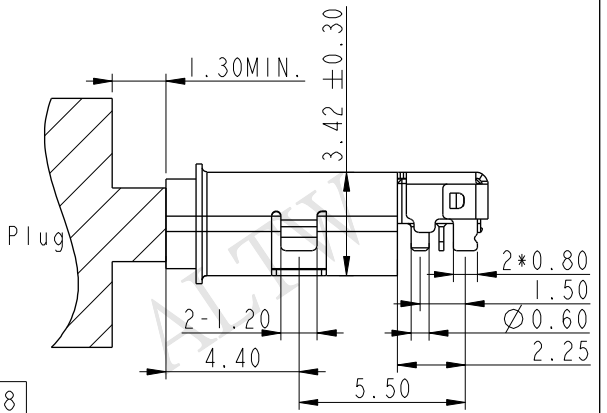
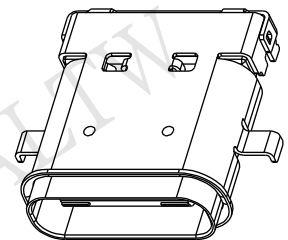


ALTW
CONFIDENTIAL
2018-05-07
R&D DEPT.

ALTW
DCC. DEPT.
CONFIDENTIAL
2018.05.29
ISSUED



REV.	DESCRIPTION
A	New Initial
B	⚠ *1



- Note:
- * IP: IP67
 - * Connecote: Thermoplastic
 - * Pin: Copper Alloy, 30u" Gold
 - * Shield: Stainless (Inner)
Stainless & Nickel Plating (Out)
 - * Operating Temperature: -40°C To +85°C

Pin	Signal Name	Mating Sequence	Pin	Signal Name	Mating Sequence
A1	GND	First	B12	GND	First
A2	SSTXp1	Second	B11	SSRXp1	Second
A3	SSTXn1	Second	B10	SSRXn1	Second
A4	Vbus	First	B9	Vbus	First
A5	CC1	Second	B8	SBU2	Second
A6	Dp1	Second	B7	Dn2	Second
A7	Dn1	Second	B6	Dp2	Second
A8	SBU1	Second	B5	CC2	Second
A9	Vbus	First	B4	Vbus	First
A10	SSRXn2	Second	B3	SSTXn2	Second
A11	SSRXp2	Second	B2	SSTXp2	Second
A12	GND	First	B1	GND	First
SHELL		GND	SHELL		GND

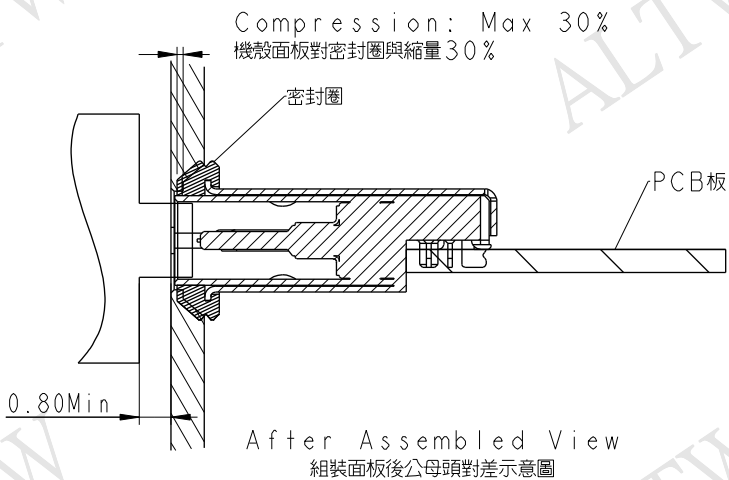
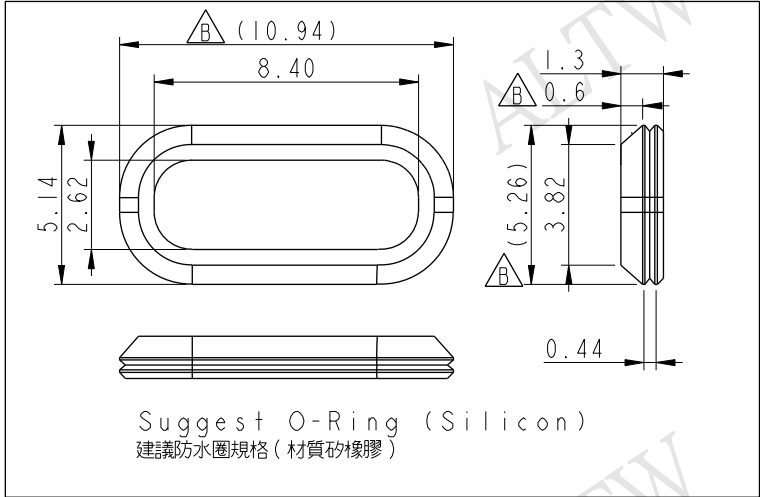
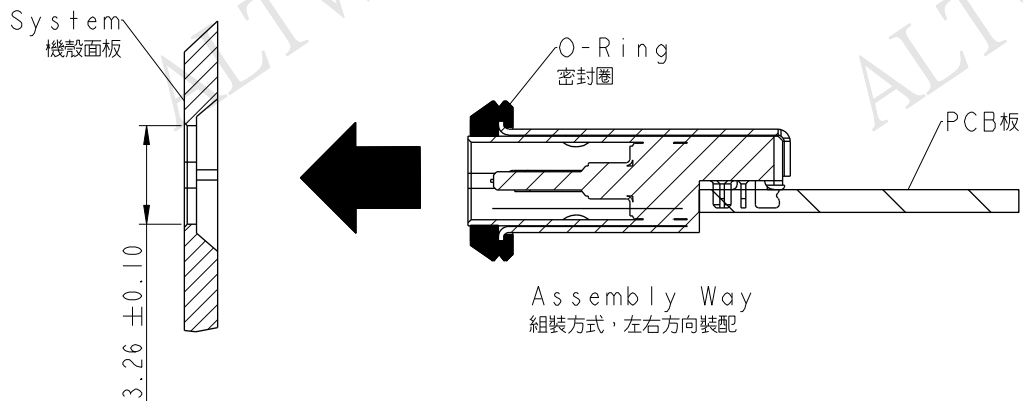
UNIT: mm		TITLE USB 3.1 C TYPE JACK	
TOLERANCE ±0.5 mm	SCALE 4:1	SIZE A4	SHEET 1 OF 3
	REV. B	WC-REV. A.3	QC: Inspection item

Amphenol LTW
安費諾亮泰企業股份有限公司

ITEM NO. UC-31PFFH-QF7001	DRAWN BY Neo	DATE 2018/05/07
DWG NO. UC-31PFFH-QF7001	CHECKED BY Kelly	DATE 2018/05/07
CUSTOMER ALTW	APPROVED BY Max	DATE 2018/05/07

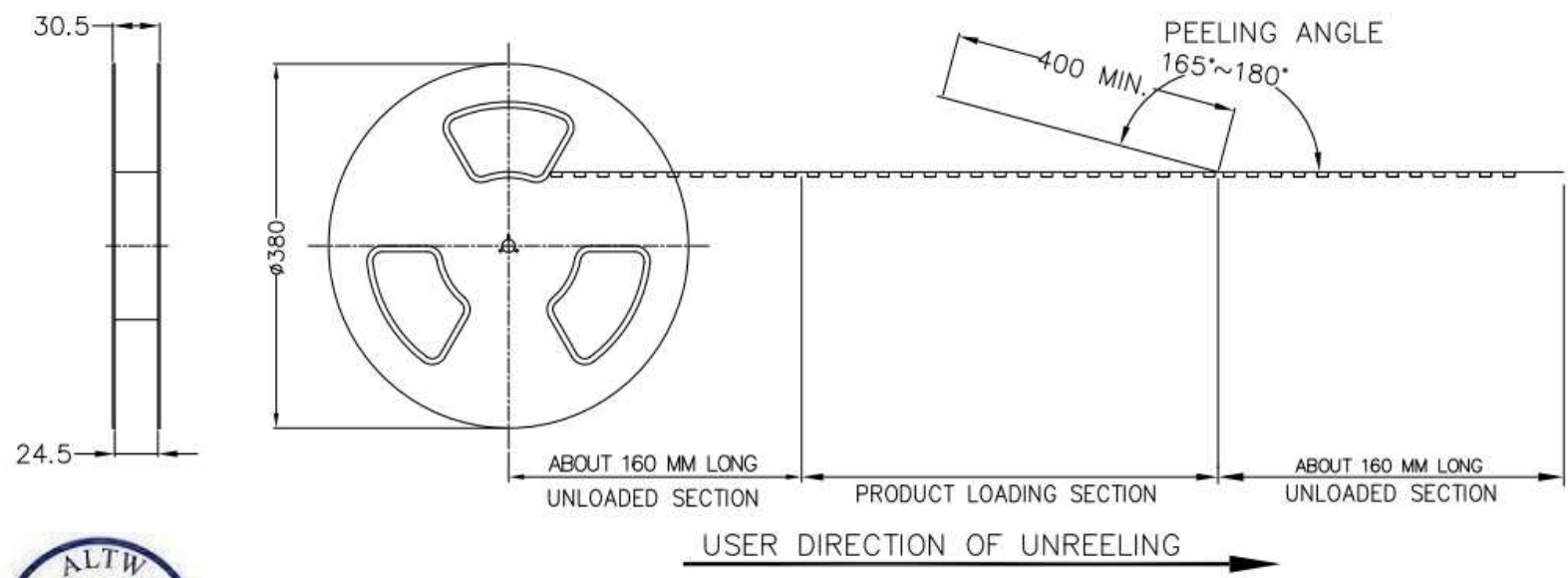
THIS DOCUMENT IS SUBJECT TO CHANGE WITHOUT NOTICE. IT IS CONFIDENTIAL AND A PROPERTY OF Amphenol LTW. DISCLOSURE TO THIRD PARTY HAS TO BE AUTHORIZED BY Amphenol LTW.

THIS DOCUMENT IS SUBJECT TO CHANGE WITHOUT NOTICE. IT IS CONFIDENTIAL AND A PROPERTY OF Amphenol LTW. DISCLOSURE TO THIRD PARTY HAS TO BE AUTHORIZED BY Amphenol LTW.

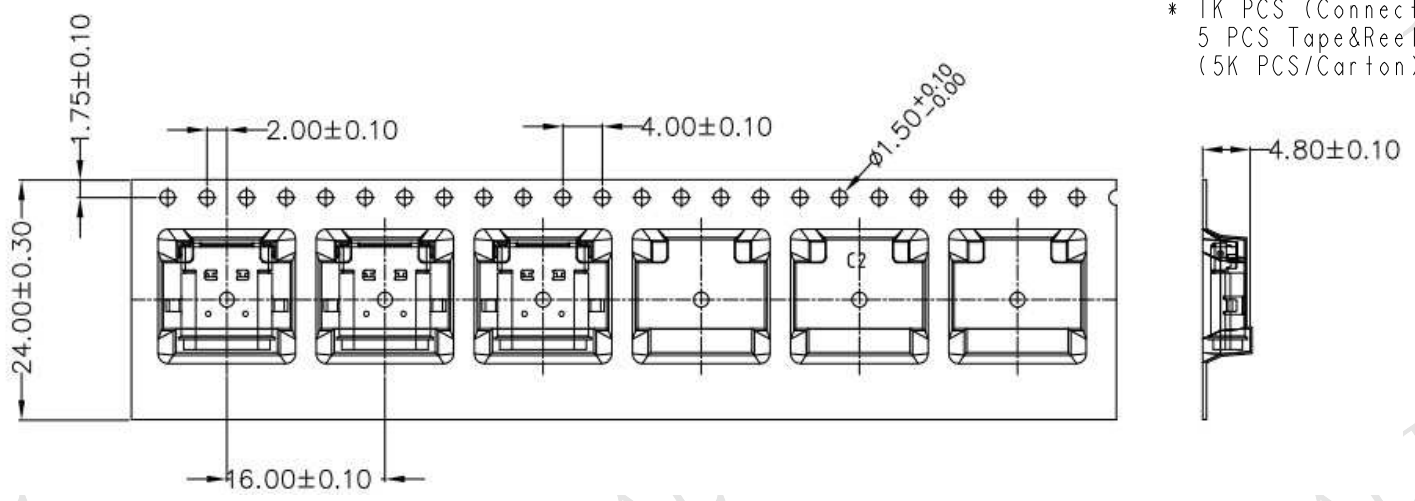


A	UNIT: mm	TITLE		Amphenol LTW		ITEM NO	DRAWN BY	DATE
	TOLERANCE ±0.5 mm	USB 3.1 C TYPE JACK		安費諾亮泰企業股份有限公司		UC-31PFFH-QF7001	Neo	2018/05/07
		SCALE	SIZE	SHEET	DWG NO	CHECKED BY	DATE	
		4:1	A4	2 OF 3	UC-31PFFH-QF7001	Kelly	2018/05/07	
	REV.	WC-REV.	QC	CUSTOMER	APPROVED BY	DATE		
	B	A.3	Ⓞ: Inspection item	ALTW	Max	2018/05/07		

THIS DOCUMENT IS SUBJECT TO CHANGE WITHOUT NOTICE. IT IS CONFIDENTIAL AND A PROPERTY OF AMPHENOL LTW. DISCLOSURE TO THIRD PARTY HAS TO BE AUTHORIZED BY AMPHENOL LTW.



* 1K PCS (Connector) In A Tape&Reel
 5 PCS Tape&Reel In A Carton
 (5K PCS/Carton)



UNIT: mm
 TOLERANCE
 ±0.5

TITLE USB 3.1 C TYPE JACK			
SCALE 3:1	SIZE A4	SHEET 3 OF 3	
REV. B	WC-REV. A.3	QC: Inspection item	

Amphenol LTW
 安費諾亮泰企業股份有限公司

ITEM NO. UC-31PFFH-QF7001	DRAWN BY Neo	DATE 2018/05/07
DWG NO. UC-31PFFH-QF7001	CHECKED BY Kelly	DATE 2018/05/07
CUSTOMER ALTW	APPROVED BY Max	DATE 2018/05/07