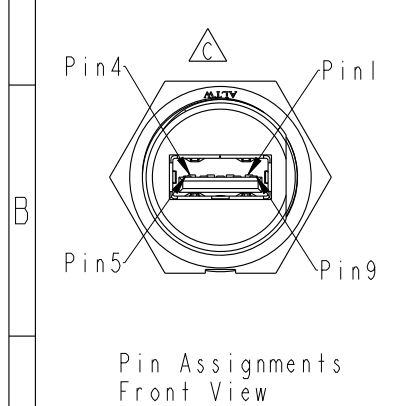
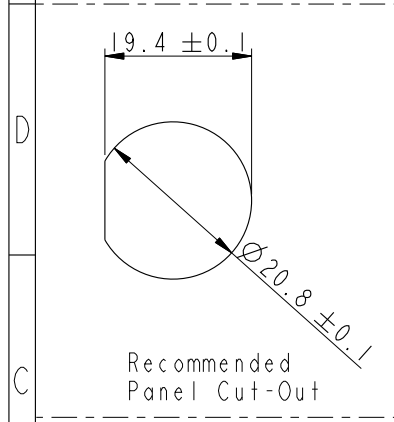
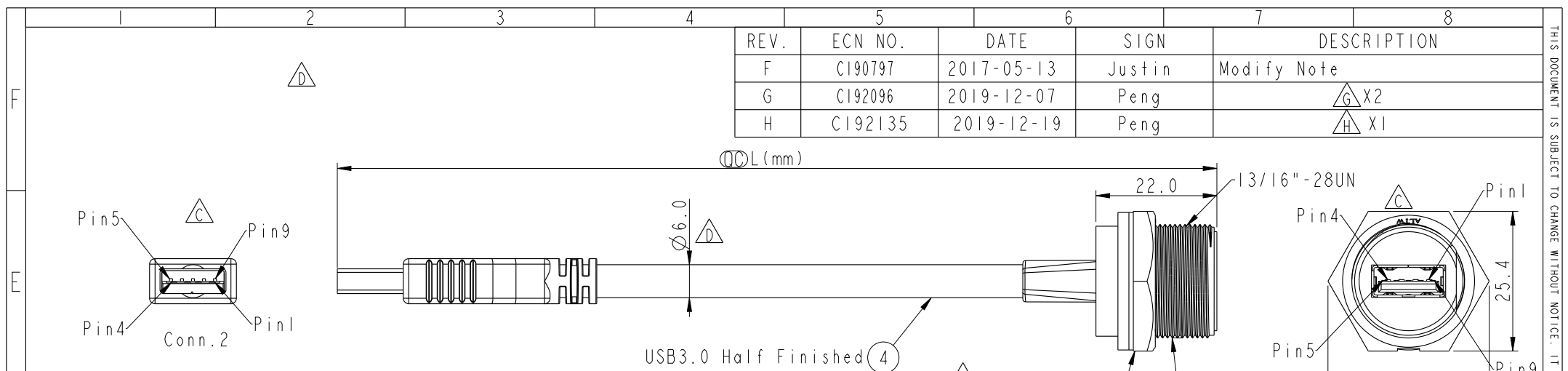


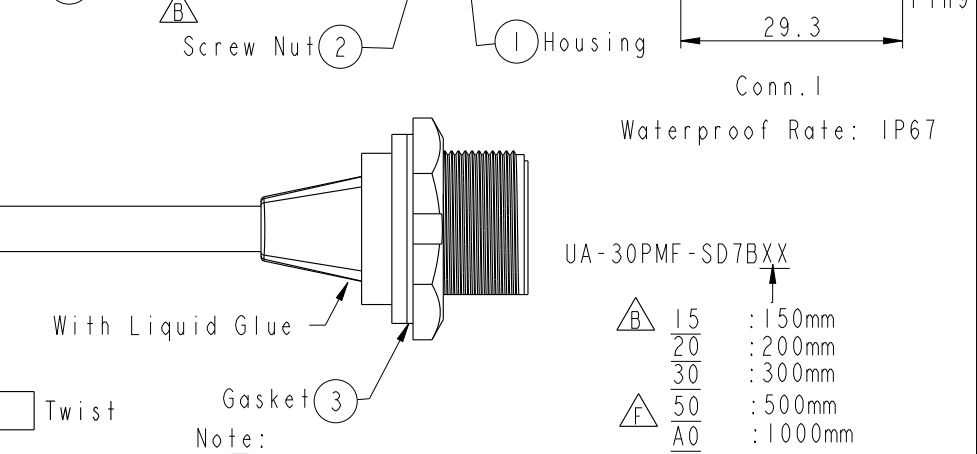
THIS DOCUMENT IS SUBJECT TO CHANGE WITHOUT NOTICE. IT IS CONFIDENTIAL AND A PROPERTY OF Amphenol LTW. DISCLOSURE TO THIRD PARTY HAS TO BE AUTHORIZED BY Amphenol LTW.

REV.	ECN NO.	DATE	SIGN	DESCRIPTION
F	C190797	2017-05-13	Justin	Modify Note
G	C192096	2019-12-07	Peng	△G X2
H	C192135	2019-12-19	Peng	△H X1



Shield	Braid	編織	Shield	Shield	
9	Orange	28AWG 橙	SDP2+	9	Twist
8	Purple	28AWG 紫	SDP2-	8	
7	Drain	28AWG	SDP2_Drain	7	Twist
6	Yellow	28AWG 黃	SDP1+	6	
5	Blue	28AWG 藍	SDP1-	5	Twist
7	Drain	28AWG	SDP1_Drain	7	
4	Black	28AWG 黑	GND_PWRrt	4	Twist
3	Green	28AWG 綠	UTP_D+	3	
2	White	28AWG 白	UTP_D-	2	Twist
1	Red	28AWG 紅	PWR	1	
Conn.1	Wire Color		Signal Name	Conn.2	

Pin Out



Note:

- * Ⓞ Important Dimension.
- * Housing: ABS, Black
- * Screw Nut: Nylon+GF, Black
- * Gasket: Silicone, Gray
- * Jack: USB3.0-A Female Solder
- * Cable: UL2725 (IP*28#+DMA)*2C+IP*28#+2C*28#+ADB, PVC, UV Resistant, OD=6.0mm, Black
- * Cable Length Tolerance: 150~1000mm:±60mm
- * Use with waterproof cap or dust cap
Panel Thickness max: 2.8mm
- * Use without waterproof cap or dust cap
Panel Thickness max: 4.0mm
- * All of Drain twisted together.

UNIT:mm TOLERANCE ±0.5	TITLE USB3.0 Male A Type		Amphenol LTW 安費諾亮泰企業股份有限公司		ITEM NO	DRAWN BY	DATE
	SCALE 1:1	SIZE A4			DWG NO UA-30PMF-SD7BXX	CHECKED BY Brady	DATE 2019-05-15
	REV. H	WC-REV. B.5			CUSTOMER ALTW	APPROVED BY Neo	DATE 2019-05-15