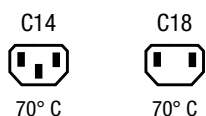


IEC Appliance Inlet C14 or C18, Screw-on Mounting, Rear Side, PCB- or Solder Terminal

V-Lock

**Description**

- Panel Mount, Screw-on mounting from rear-side
- Appliance Inlet, Pin temperature 70 °C, protection class I or II
- For PCB mounting

Approvals

- VDE Certificate Number: 40012767
- UL File Number: E96454
- CSA File Number: 38456

Other versions on request

- Ground terminal with quick-connect terminal 6,3 x 0,8 mm
- With solder terminals
- Variant with notch for V-Lock mating Cordsets

References**Weblinks**

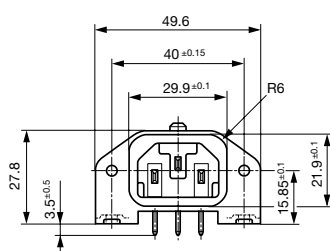
[pdf](#), [html](#), [General Product Information](#), [Approvals](#), [RoHS](#), [CHINA-RoHS](#), [Mating Connectors](#), [e-Store](#), [SCHURTER-Stock-Check](#), [Distributor-Stock-Check](#), [Accessories](#)

Newly available variants corresponding to V-Lock mating cordset. The connector is equipped with a notch intended for use with the latching cordset. The cord latching system prevents against accidental removal of the cordset.

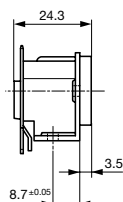
Technical Data

| | |
|---------------------------|--|
| Ratings IEC | 10A / 250VAC; 50Hz |
| Ratings UL/CSA | 15A / 250VAC; 60Hz |
| Dielectric Strength | > 3kVAC between L-N > 3kVAC between L/N-PE (1 min/50Hz) |
| Allowable Operation Temp. | -25°C to 70°C |
| Degree of Protection | from front side IP 40 acc. to IEC 60529 |
| Protection Class | Suitable for appliances with protection class 1 or 2 acc. to IEC 61140 |
| Terminal | For PCB mounting ; Ground terminal: Quick connect terminals 4.8 x 0.8 mm angled or straight Solder terminal on request |
| Panel Thickness s | Screw: max 3 mm Mounting screw torque max 0.5Nm |
| Material: Housing | Thermoplastic, black, UL 94V-0 |

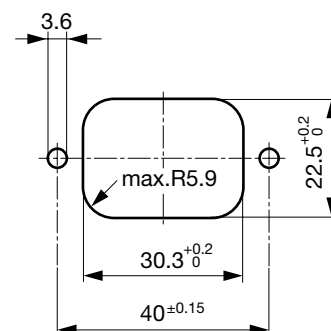
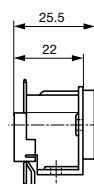
| | |
|-----------------|---|
| Appliance Inlet | C14 acc. to IEC/EN 60320-1, UL 498, CSA C22.2 no. 42 (for cold conditions) pin-temperature 70 °C, 10A, Protection Class 1 or 2 |
|-----------------|---|

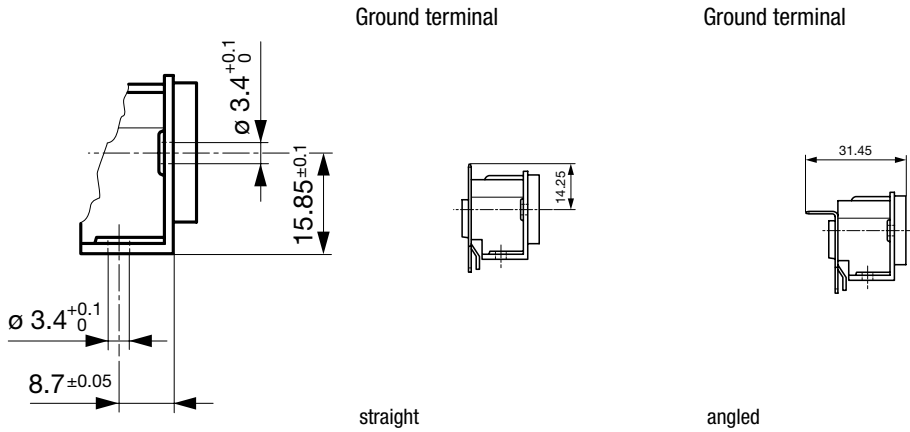
Dimensions

without insulation cover



with insulation cover

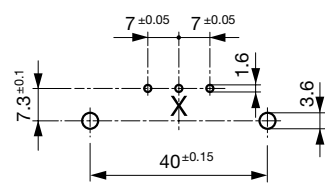




Drilling diagrams

PCB Layout

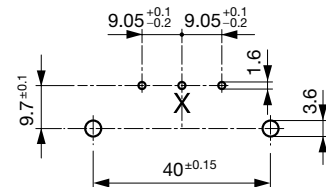
Ground terminal angled



X deleted for protection class II

PCB Layout

Ground terminal straight



X deleted for protection class II

Variants

| Protection Class | PCB terminal spacing | Mounting flange with | Ground terminal 4.8 x 0.8 mm | Cover | Order Number |
|------------------|----------------------|--|------------------------------|-------|---------------|
| 1 | 7/7.3 | holes for screws M3 | angled to pin axis | | GSP1.9103.1 |
| 1 | 7/7.3 | holes for screws M3 | angled to pin axis | ● | GSP1.9113.1 |
| 1 | 7/7.3 | holes for screws M3 | straight | | GSP1.9101.1 |
| 1 | 7/7.3 | holes for self-tapping screws 3mm, 4 screws enclosed | angled to pin axis | | GSP1.9503.1 |
| 1 | 7/7.3 | pre-inserted nuts M3, 4 pcs. | angled to pin axis | | GSP1.9203.1 |
| 1 | 7/7.3 | pre-inserted nuts M3, 4 pcs. | angled to pin axis | | GSP1.9203.121 |
| 1 | 9.05/9.7 | holes for screws M3 | straight | | GSP1.8101.1 |
| 1 | 9.05/9.7 | holes for screws M3 | straight | | GSP1.8401.1 |
| 1 | 9.05/9.7 | holes for screws M3 | straight | ● | GSP1.8111.1 |
| 1 | 9.05/9.7 | holes for self-tapping screws 3mm, 4 screws enclosed | straight | | GSP1.8501.1 |
| 1 | 9.05/9.7 | pre-inserted nuts M3, 4 pcs. | straight | | GSP1.8201.1 |
| 2 | 7/7.3 | holes for screws M3 | - | | GSP1.9100.1 |
| 2 | 7/7.3 | holes for screws M3 | - | ● | GSP1.9110.1 |
| 2 | 7/7.3 | holes for self-tapping screws 3mm, 4 screws enclosed | - | | GSP1.9500.1 |
| 2 | 7/7.3 | pre-inserted nuts M3, 4 pcs. | - | | GSP1.9200.1 |
| 2 | 9.05/9.7 | holes for screws M3 | - | | GSP1.8100.1 |
| 2 | 9.05/9.7 | holes for screws M3 | - | ● | GSP1.8110.1 |
| 2 | 9.05/9.7 | holes for self-tapping screws 3mm, 4 screws enclosed | - | | GSP1.8500.1 |
| 2 | 9.05/9.7 | pre-inserted nuts M3, 4 pcs. | - | | GSP1.8200.1 |

"21" corresponds to the version with V-Lock mating cordset. The connector is equipped with a notch intended for use with the latching cordset. The cord latching system prevents against accidental removal of the cordset.

Packaging unit 50 Pcs

Mating Outlets/Connectors

Category / Description

[Connector Overview complete](#)

| | |
|---|--------|
| IEC Connector C15, Rewireable, Straight | 0101 |
| IEC Connector C15A, Rewireable, Straight | 0102 |
| IEC Connector C15A, Rewireable, Straight | 0102-G |
| IEC Connector C15A, Rewireable, Angled | 0112 |
| IEC Connector C13, Rewireable, Angled | 4012 |
| Connector further types to GSP1 | ... |

[Power Cord Overview complete](#)

| | |
|--|------|
| Power Cord with IEC Connector C13, Angled | 0311 |
| Power Cord with IEC Connector C13, Angled | 3011 |
| Power Cord with IEC Connector C13, Angled | 3012 |
| Power Cord with IEC Connector C13, Angled | 3013 |
| Power Cord with IEC Connector C13 | 3020 |
| Power Cord further types to GSP1 | ... |

[Power Supply or Interconnection Cord Overview complete](#)

| | |
|--|-----------|
| Divers Power Supply and Interconnection Cords 10 A | 6000.0214 |
| Divers Power Supply and Interconnection Cords 10 A | 6000.0224 |
| Divers Power Supply and Interconnection Cords 10 A | 6003.0204 |
| Divers Power Supply and Interconnection Cords 10 A | 6003.0205 |
| Divers Power Supply and Interconnection Cords 10 A | 6003.0215 |
| Power Supply or Interconnection Cord further types to GSP1 | ... |