

IEC Appliance Inlet C20 with Filter, ECO design, front or rear side Mounting

Standard- or Medical-Filter



V-Lock

new

Screw-on or rivet mounting from front or rear side
Screw-On VersionScrew-on mounting from rear side, integrated
thread
Screw-On Version

Snap-in mounting from front side

C20



70° C

**Description**

- Panel Mount:
Screw-on version from front or rear side, snap-in version from front side
- 2 Functions:
Appliance Inlet Protection class I, Line filter in standard and medical version
- Quick connect terminals

Approvals

- VDE Certificate Number: 104884
- UL File Number: E72928

Characteristics

- Optimal shielding due to completely closed filter case, unpotted
Suitable for assembly in metal plated plastic housings
- Version with class X1 and X2 (standard version) capacitors
- Universal line filter for standard applications
Designed for standard and medical applications
- Qualified for use in equipment according IEC/EN 60950

Other versions on request

- Solder terminals
- Medical version M80
- Capacity CX 330 nF

References

Fits to type: Kabelverbindung/16 A; 4790; 4795 Kabelverbindung/16 A; 0104; 1651; 1652; 1654; 4790; 4795

Weblinks

[pdf](#), [html](#), [General Product Information](#), [Approvals](#), [RoHS](#), [CHINA-RoHS](#), [Mating Connectors](#), [e-Store](#), [SCHURTER-Stock-Check](#), [Distributor-Stock-Check](#), [Accessories](#), [Wire Harness](#)

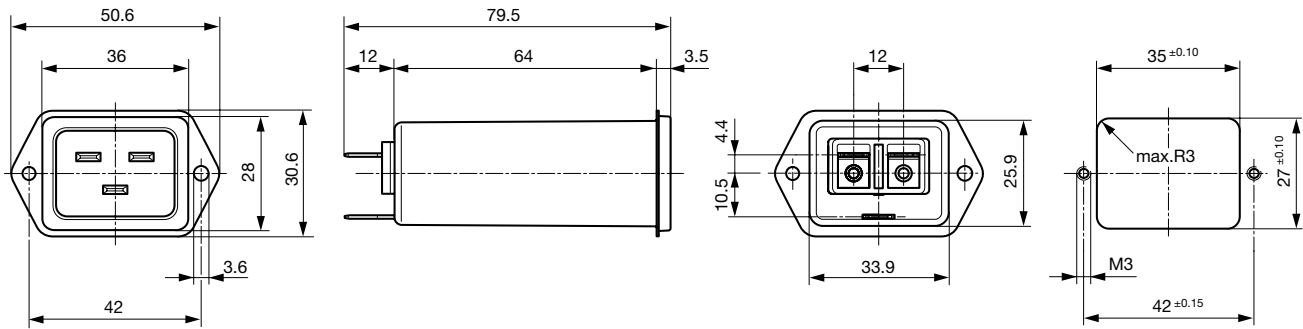
Newly available variants corresponding to V-Lock mating cordset. The connector is equipped with a notch intended for use with the latching cordset. The cord latching system prevents against accidental removal of the cordset.

Technical Data

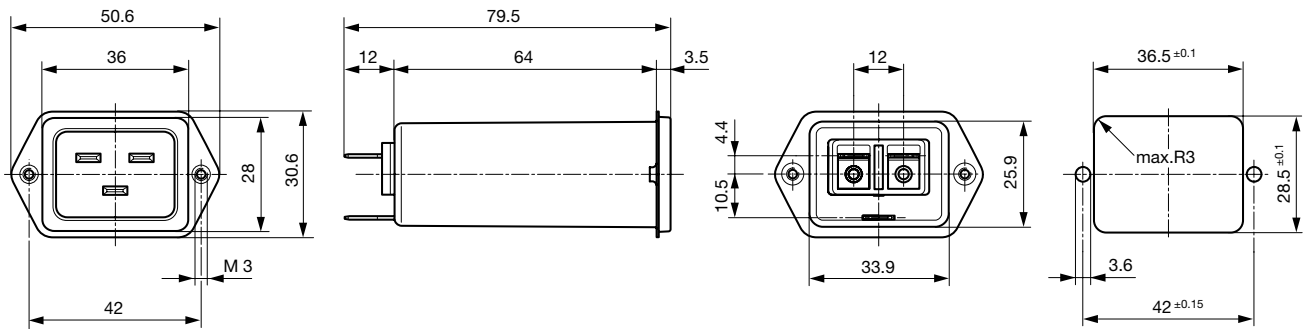
Ratings IEC	16A @ Ta 40 °C / 250 VAC; 50Hz	Appliance-Inlet/-Outlet	C20 acc. to IEC/EN 60320-1, UL 498, CSA C22.2 no. 42 (for cold conditions) pin-temperature 70 °C, 16A, Protection Class 1
Ratings UL/CSA	20A @ Ta 40 °C / 250 VAC; 60Hz	Line Filter	Standard and Medical Version, IEC 60939, IEC 60601-1, UL 1283, UL 544, EN 133 200, CSA C22.2 no. 8 Technical details
Leakage Current	standard < 0.5 mA (250 V / 60Hz) medical < 5 µA (250 V / 60 Hz)	MTBF	> 3'000'000 h acc. to MIL-HB-217 F
Dielectric Strength	> 1.7 kVDC between L-N > 2.7 kVDC between L/N-PE Test voltage (2 sec)		
Impulse Withstand Voltage	> 2.5 kV between L-N (CX2) > 4 kV between L-N (CX1) > 5 kV between L/N-PE (Cy2) voltage (1.2/50 µs)		
Allowable Operation Temp.	-25 °C to 85 °C		
Climatic Category	25/085/21 acc. to IEC 60068-1		
Degree of Protection	from front side IP 40 acc. to IEC 60529		
Protection Class	Suitable for appliances with protection class 1 acc. to IEC 61140		
Terminal	Quick connect terminal 6.3 x 0.8 mm		
Panel Thickness s	Screw: max 8 mm Mounting screw torque max 0.5Nm Snap-in: 0.8 mm to 3 mm (all steps with one variant)		
Material: Housing	Thermoplast / steel tin-plated, black / metallic, UL 94V-0		

Dimensions

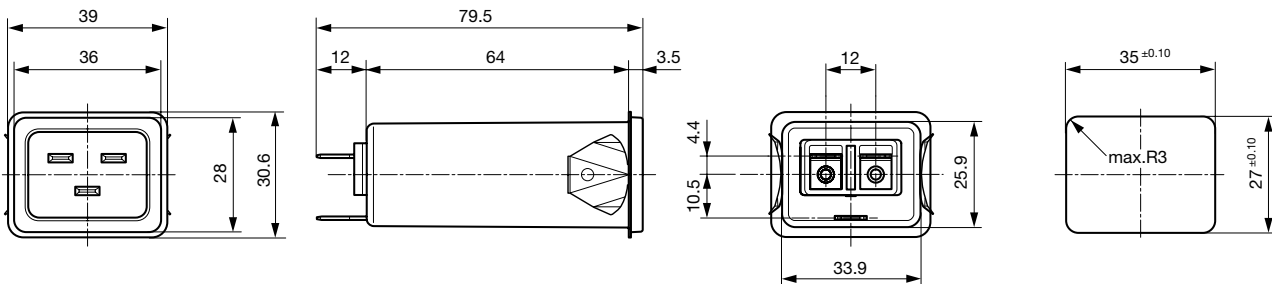
Front or rear side mounting for screws with nuts or blind rivets



Rear side mounting with pre-formed, threaded holes for M3 screws



Snap-in mounting from front side

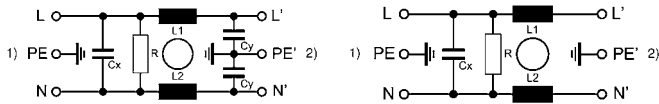


Technical Data of Filter-Components

Rated Current [A]	Filter-Type	Inductances L [mH]	Capacitance CX [nF]	Capacitance CY [nF]	R [MΩ]
16	Standard Version	2 x 0.6	100	2.2	1
20	Standard Version	2 x 0.3	100	2.2	1
16	Medical Version (M5)	2 x 0.6	100	-	1
20	Medical Version (M5)	2 x 0.3	100	-	1

Diagrams

Standard or medical version (M80) Medical version



1) Line
2) Load

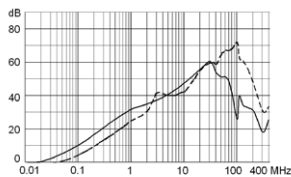
1) Line
2) Load

Attenuation Loss

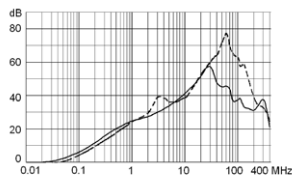
- - - differential mode _____ common mode

Standard version

16 A

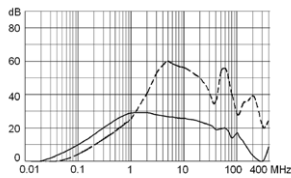


20 A

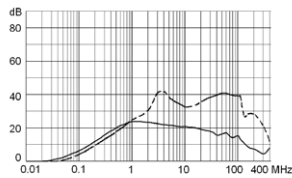


Medical version (M5)

16 A



20 A



Variants

Rated Current IEC [A]	Rated Current UL [A]	Filter-Type	Panel mounting	Mounting side	Terminal	Capacitor	Order Number
16	16	Standard Version	Screw-on/Rivet	Front-Side	Quick connect terminals 6.3 x 0.8 mm	X2	5130.0000
16	20	Standard Version	Screw-on/Rivet	Front-Side	Quick connect terminals 6.3 x 0.8 mm	X2	5130.0001
16	16	Standard Version	Screw-on/Rivet	Front-Side	Quick connect terminals 6.3 x 0.8 mm	X1	5130.0100
16	20	Standard Version	Screw-on/Rivet	Front-Side	Quick connect terminals 6.3 x 0.8 mm	X1	5130.0101
16	16	Standard Version	Screw	Rear-Side	Quick connect terminals 6.3 x 0.8 mm	X2	5130.1000
16	20	Standard Version	Screw	Rear-Side	Quick connect terminals 6.3 x 0.8 mm	X2	5130.1001
16	16	Standard Version	Screw	Rear-Side	Quick connect terminals 6.3 x 0.8 mm	X1	5130.1100
16	20	Standard Version	Screw	Rear-Side	Quick connect terminals 6.3 x 0.8 mm	X1	5130.1101
16	16	Standard Version	Snap-in	Front-Side	Quick connect terminals 6.3 x 0.8 mm	X2	5130.2000
16	20	Standard Version	Snap-in	Front-Side	Quick connect terminals 6.3 x 0.8 mm	X2	5130.2001
16	16	Standard Version	Snap-in	Front-Side	Quick connect terminals 6.3 x 0.8 mm	X1	5130.2100
16	20	Standard Version	Snap-in	Front-Side	Quick connect terminals 6.3 x 0.8 mm	X1	5130.2101
16	16	Medical Version (M5)	Screw-on/Rivet	Front-Side	Quick connect terminals 6.3 x 0.8 mm	X2	5130.0200
16	20	Medical Version (M5)	Screw-on/Rivet	Front-Side	Quick connect terminals 6.3 x 0.8 mm	X2	5130.0201
16	16	Medical Version (M5)	Screw-on/Rivet	Front-Side	Quick connect terminals 6.3 x 0.8 mm	X1	5130.0300
16	20	Medical Version (M5)	Screw-on/Rivet	Front-Side	Quick connect terminals 6.3 x 0.8 mm	X1	5130.0301

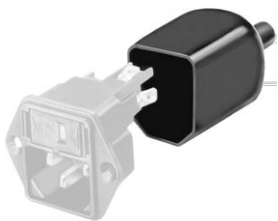
Rated Current IEC [A]	Rated Current UL [A]	Filter-Type	Panel mounting	Mounting side	Terminal	Capacitor	Order Number
16	16	Medical Version (M5)	Screw	Rear-Side	Quick connect terminals 6.3 x 0.8 mm	X2	5130.1200
16	20	Medical Version (M5)	Screw	Rear-Side	Quick connect terminals 6.3 x 0.8 mm	X2	5130.1201
16	16	Medical Version (M5)	Screw	Rear-Side	Quick connect terminals 6.3 x 0.8 mm	X1	5130.1300
16	20	Medical Version (M5)	Screw	Rear-Side	Quick connect terminals 6.3 x 0.8 mm	X1	5130.1301
16	20	Medical Version (M5)	Snap-in	Front-Side	Quick connect terminals	X1	5130.2301
16	16	Medical Version (M5)	Snap-in	Front-Side	Quick connect terminals 6.3 x 0.8 mm	X2	5130.2200
16	20	Medical Version (M5)	Snap-in	Front-Side	Quick connect terminals 6.3 x 0.8 mm	X2	5130.2201
16	16	Medical Version (M5)	Snap-in	Front-Side	Quick connect terminals 6.3 x 0.8 mm	X1	5130.2300

Type for screw on mounting from rear side has pre-threaded holes for M3 screws

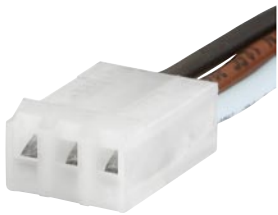
Packaging unit 20 Pcs

Accessories

Description



Assorted Covers
Rear Cover



Wire Harness
Wire harness for SCHURTER products



Cord retaining kits
Cord retaining strain relief

Mating Inlets/Plugs

Category / Description



[ConnectorOverview complete](#)

IEC Connector C19, Rewireable, Angled

4790

IEC Connector C19, Rewireable, Straight

4795

[Connectorfurther types to5130](#)

[Power Supply or Interconnection CordOverview complete](#)

Divers Power Supply and Interconnection Cords 16 A

Kabelverbindung/16 A

[Power Supply or Interconnection Cordfurther types to5130](#)

Mating Outlets/Connectors



[ConnectorOverview complete](#)

IEC Connector C19, Rewireable, Straight	0104
IEC Connector C19, Rewireable, Angled	1651
IEC Connector C19, Rewireable, Straight	1652
IEC Connector C19, Rewireable, Angled	4790
IEC Connector C19, Rewireable, Straight	4795

[Connectorfurther types to5130](#)



[Power CordOverview complete](#)

Power Cord with IEC Connector C19, Straight	1654
---------------------------------------------	------

[Power Cordfurther types to5130](#)

[Power Supply or Interconnection CordOverview complete](#)

Divers Power Supply and Interconnection Cords 16 A	Kabelverbindung/16 A
----------------------------------------------------	----------------------

[Power Supply or Interconnection Cordfurther types to5130](#)