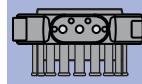


triflex® R | Series TRC | Delivery program

Robotic applications, closed, chip-resistant



TRC

► 596



...TRC
Closed design

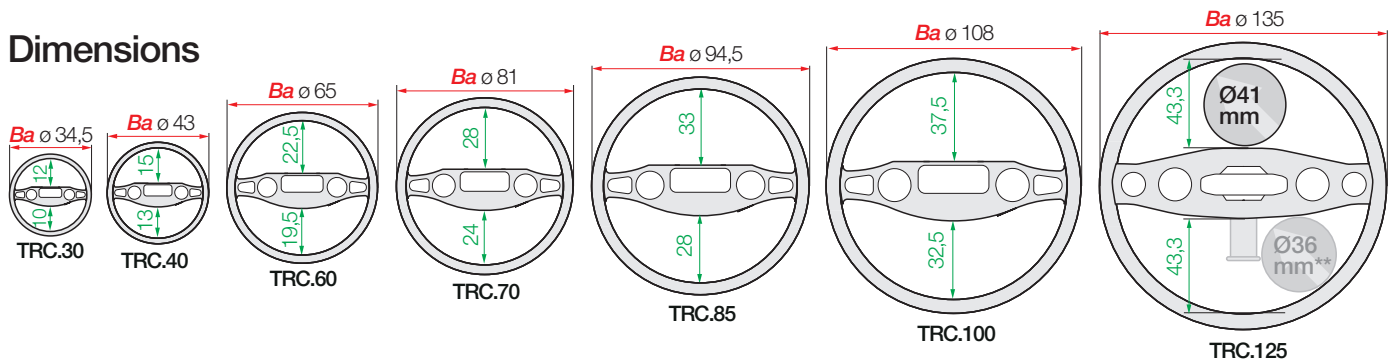
triflex® R | Series TRC | Closed design, dirt-resistant

Series TRC "closed"	Bi 1 [mm]	Bi 2 [mm]	Ba [mm]	R [mm]	d1 [mm]	d2 [mm]	Pitch [mm]	Links/m	Weight [kg/m]
TRC.30. 050.0	12	10	34,5	050	10	8	11,3	89	≈ 0,27
TRC.40. 058.0 ³⁾	15	13	43	058	13	11	13,9	72	≈ 0,37
TRC.60. 087.0 ³⁾	22,5	19,5	65	087	20,5	17,5	20,4	49	≈ 0,85
TRC.70. 110.0 ³⁾	28	24	81	110	26	22	25,6	39	≈ 1,32
TRC.85. 135.0	33	28	94,5	135	31	26	30,6	33	≈ 1,75
TRC.100.145.0	37,5	32,5	108	145	35,5	30,5	34,5	29	≈ 2,38
TRC.125.182.0	43,3	43,3	135	182	41	41 ²⁾	44,6	23	≈ 4,70

2) Max. cable diameter Ø 41 mm. Max. cable diameter changes to Ø 36 mm only, if shortening/lengthening of a filled triflex® R is required

3) Available as ESD-Version from stock

Dimensions



ESD/ATEX³⁾ - permanently conductive e-chains[®] for several widths.
Full ESD delivery program ► www.igus.eu/ESD

All triflex® R accessories like:

- Swivel bearings for smooth motion
 - Protectors
 - Gliding feed-throughs
 - Strain relief systems: Quick exchange kit, Pivot bracket, triflex® R connection
 - TRE.LOCK clips
 - Back pull systems: RS triflex® R-Set the universal module and RSP the intelligent retraction system
 - Fiber rod module & Installation kit
 - Protective jackets.
- More information ► from page 596

